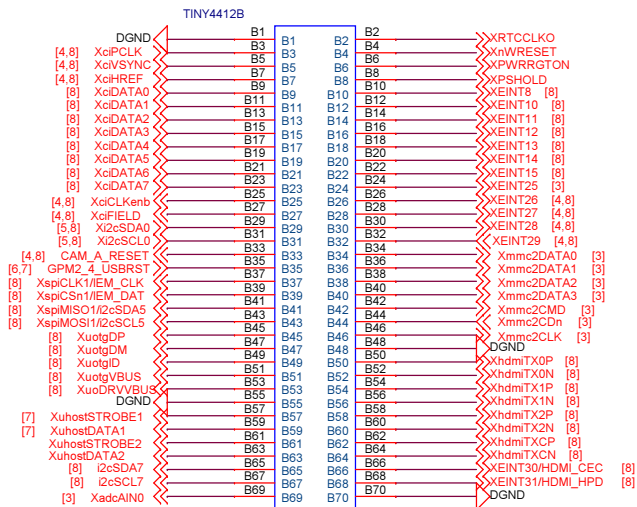
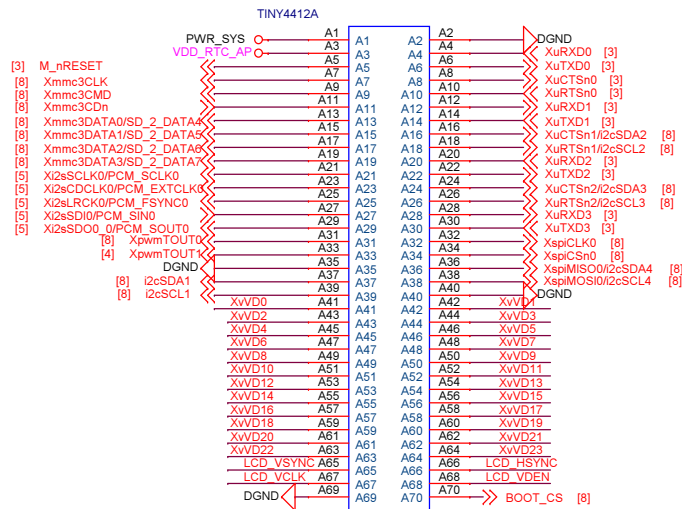
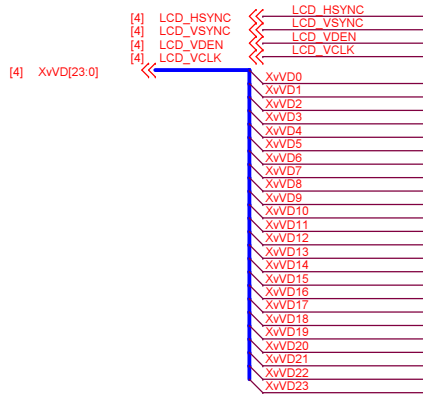


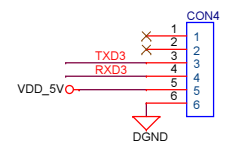
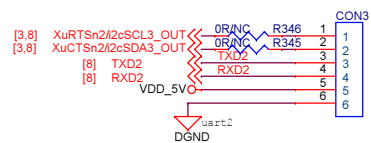
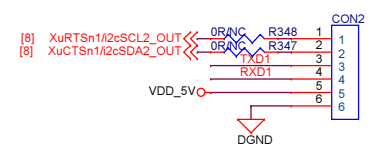
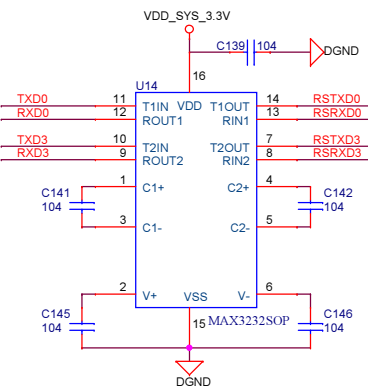
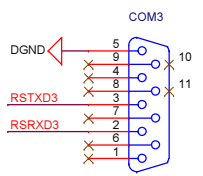
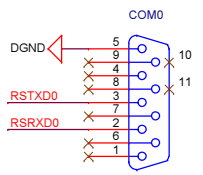
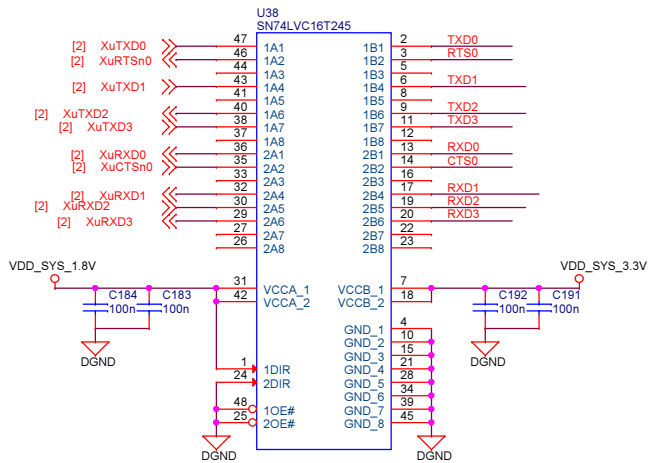
Tiny4412SDK 1306

FriendlyARM <http://www.arm9.net>

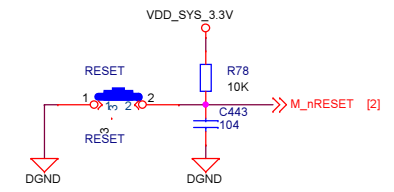
| | |
|-------------|-------------------------|
| Title | |
| TINY4412SDK | |
| Size | Document Number |
| A3 | <Doc> |
| Date: | Thursday, June 27, 2013 |
| Sheet | 1 of 10 |
| Rev | <Rev Code> |



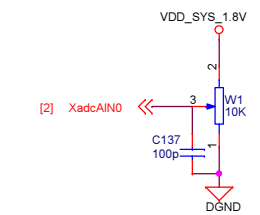
串口电路



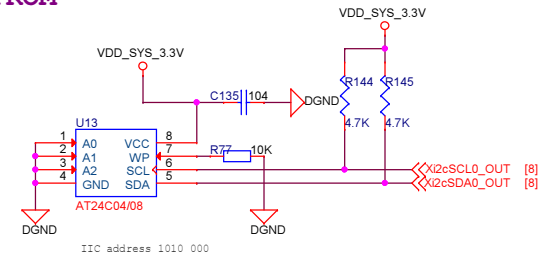
复位按键电路



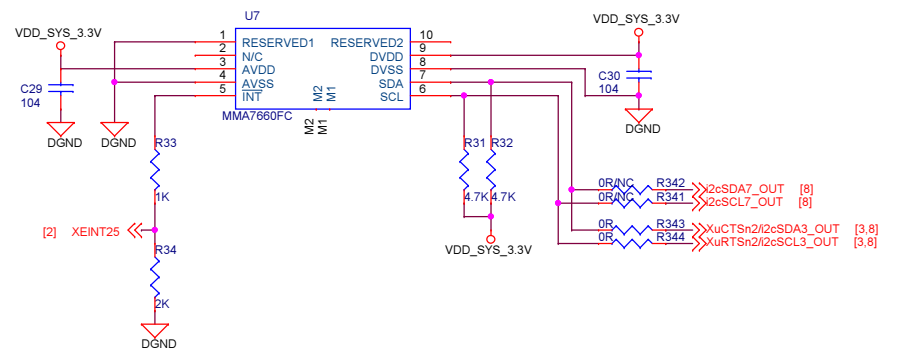
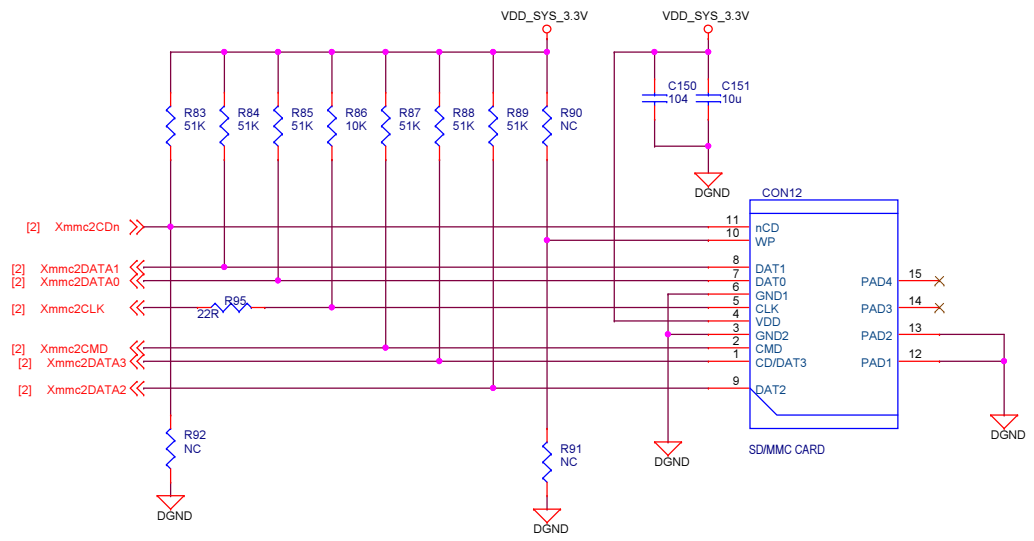
AD CONVERT



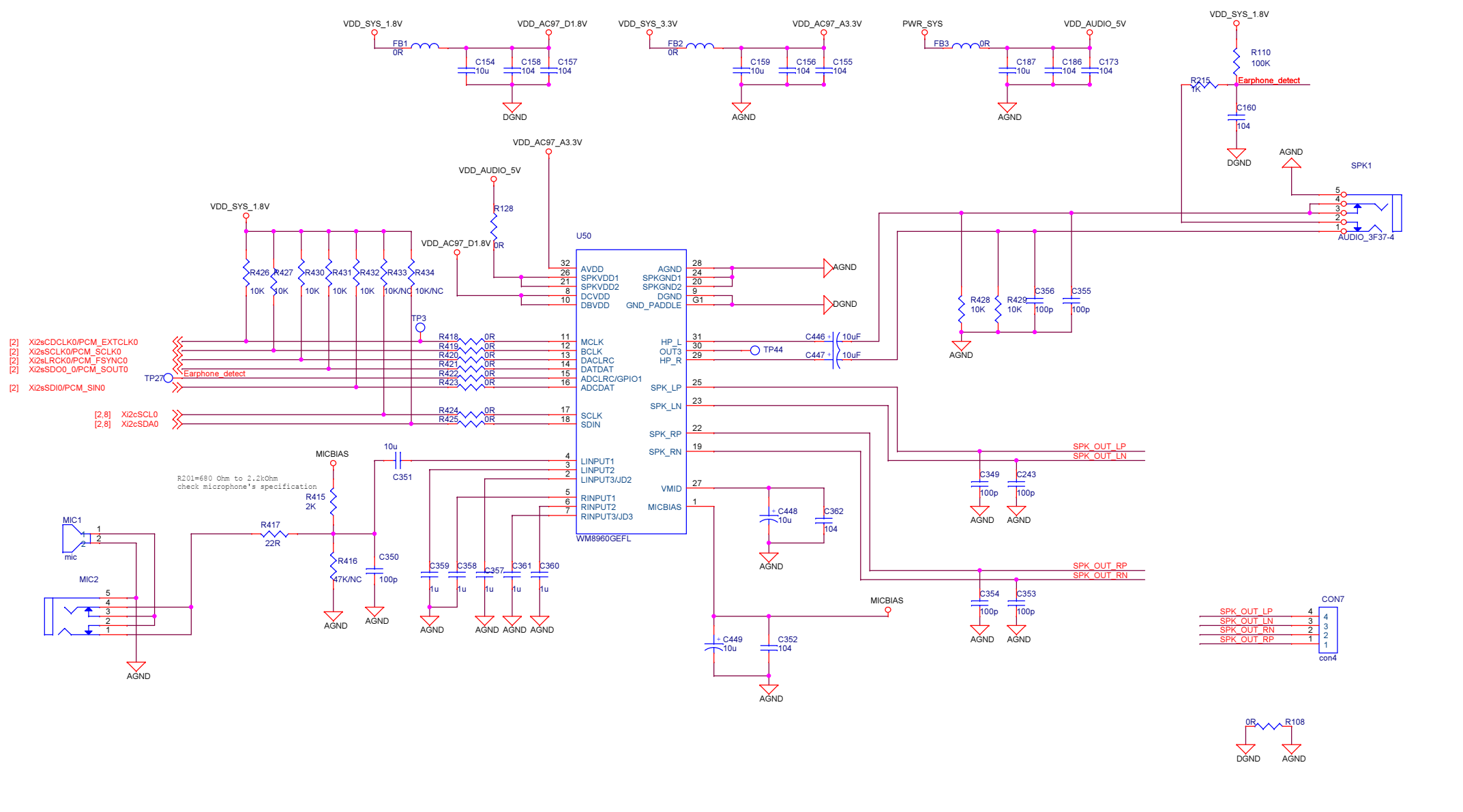
EEPROM



SD卡接口电路 , 启动端口 (mmc2)



| | | |
|-------|-------------------------|-----------------|
| Title | | TINY412SDK |
| Size | A3 | Document Number |
| Date: | Thursday, June 27, 2013 | Sheet 3 of 10 |



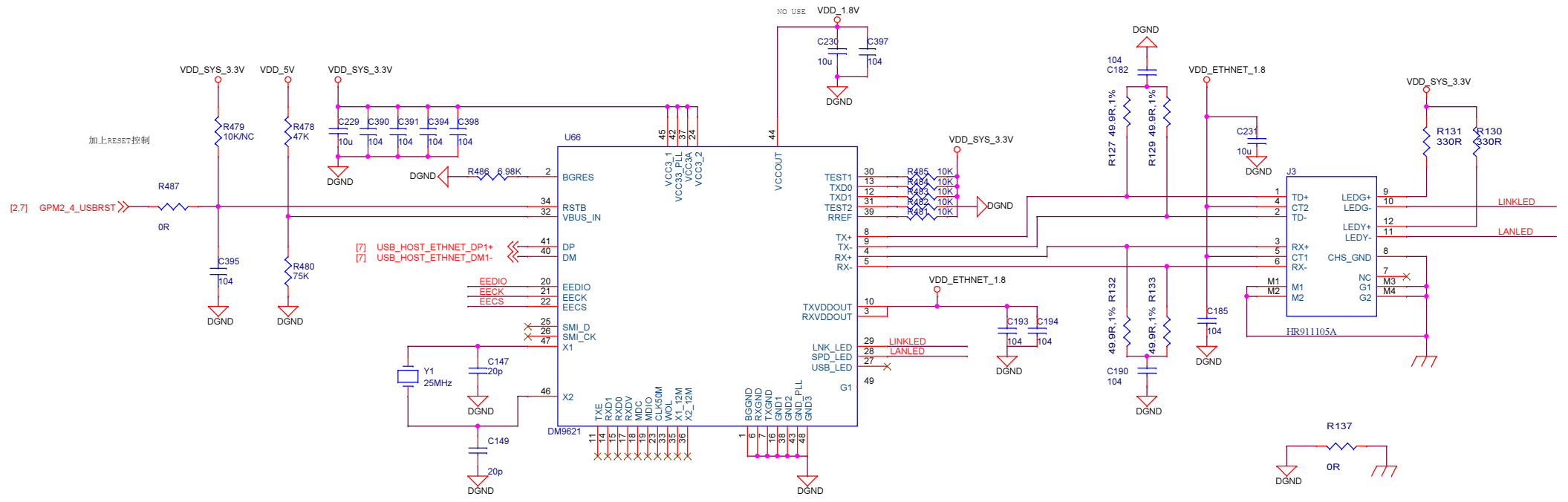
- [2] XI2sCDCLK0/PCM_EXTCLK0
- [2] XI2sSCLK0/PCM_SCLK0
- [2] XI2sLRCK0/PCM_FSXNC0
- [2] XI2sSDO0_0/PCM_SOUT0
- [2] XI2sSDI0/PCM_SIN0

- [2,8] XI2sSCL0
- [2,8] XI2sSDA0

R201=680 Ohm to 2.2kOhm
check microphone's specification

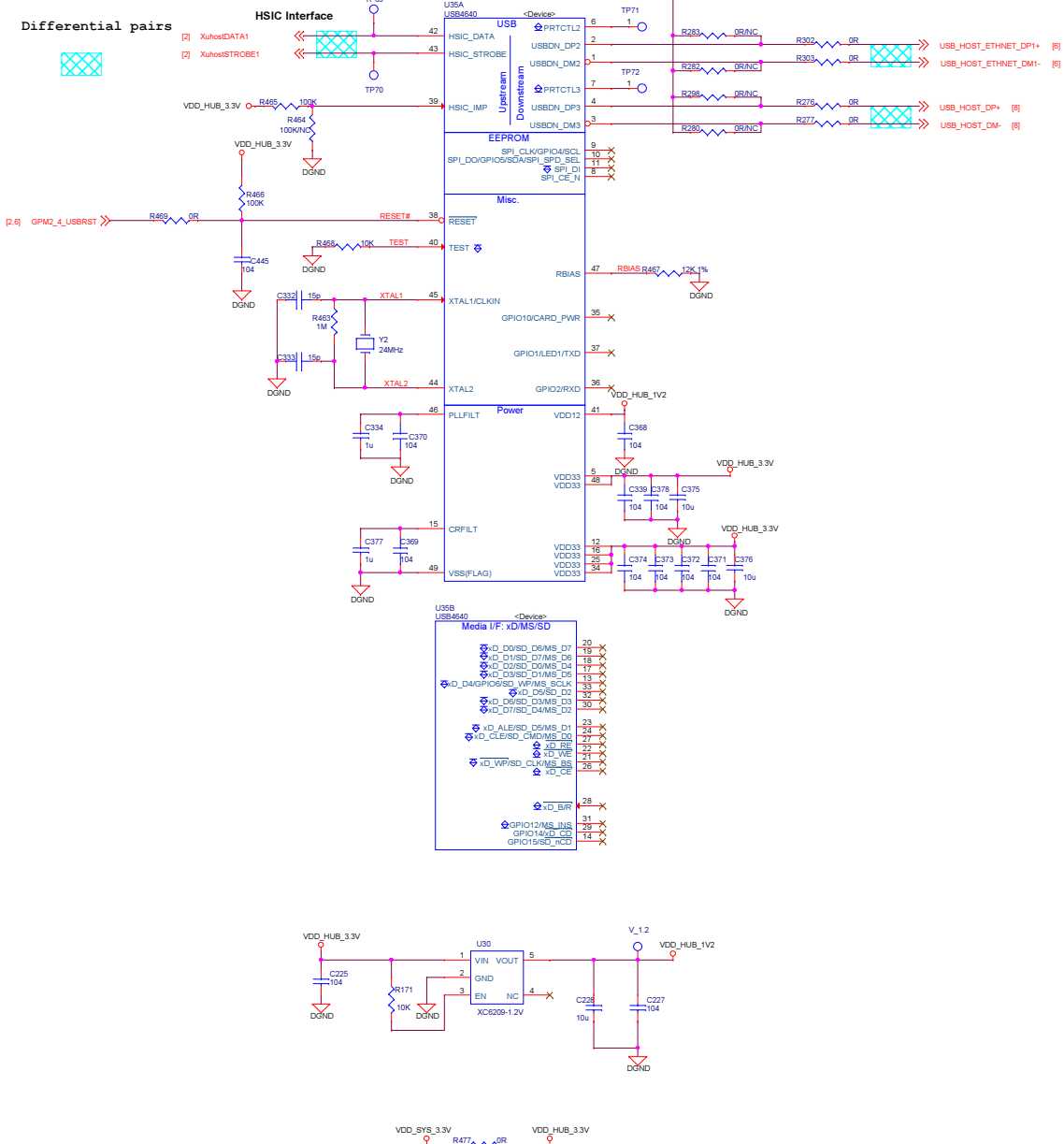
| | |
|------------|---|
| CON7 | 4 |
| SPK_OUT_LP | 4 |
| SPK_OUT_LN | 3 |
| SPK_OUT_RN | 2 |
| SPK_OUT_RP | 1 |
| con4 | 1 |

USB ETHNET



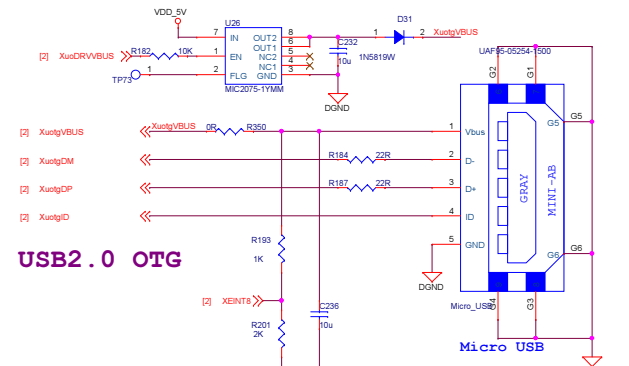
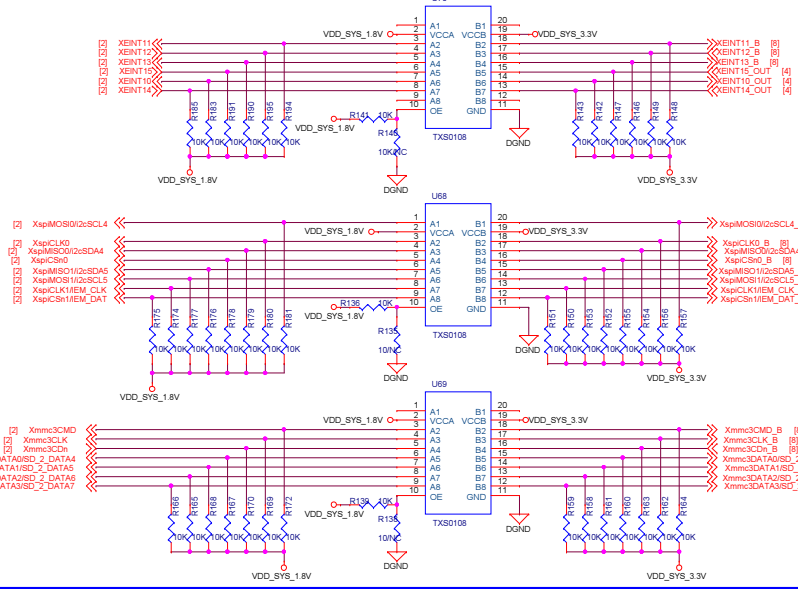
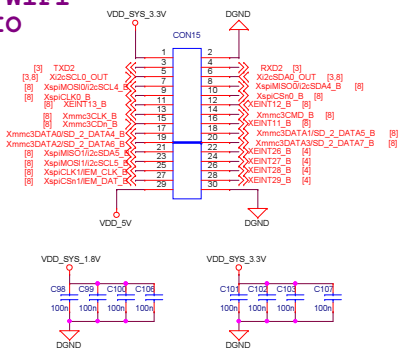
| | | |
|-------------|-------------------------|---------------|
| Title | | |
| TINY4412SDK | | |
| Size | Document Number | Rev |
| A3 | <Doc> | |
| Date: | Thursday, June 27, 2013 | Sheet 6 of 10 |

HSIC 1



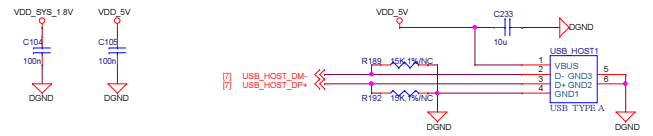
| | | |
|-------|-------------------------|---------------|
| Title | | TINY4412SDK |
| Size | Document Number | Rev |
| A2 | <Doc> | <Rev Code> |
| Date: | Thursday, June 27, 2013 | Sheet 7 of 10 |

SD WIFI GPIO

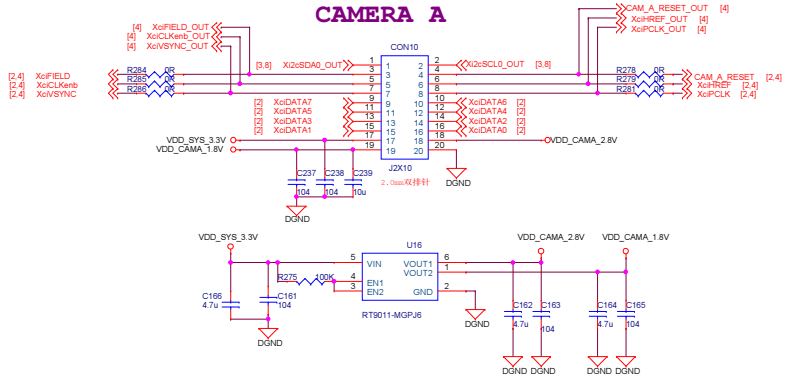


USB2.0 OTG

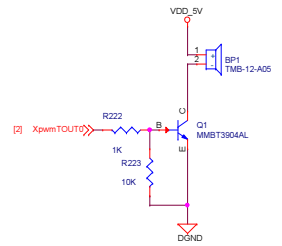
USB HOST



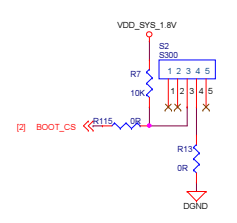
CAMERA A



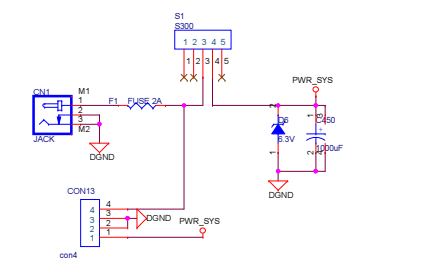
蜂鸣器



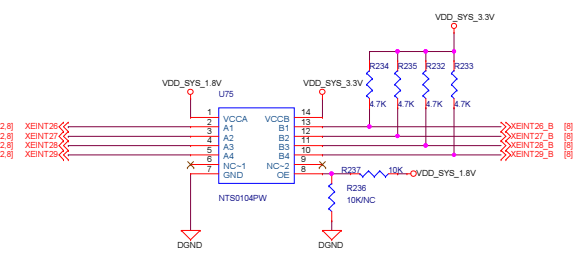
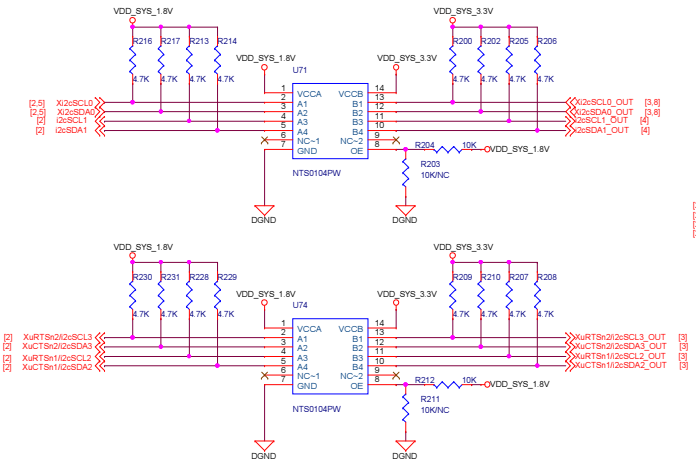
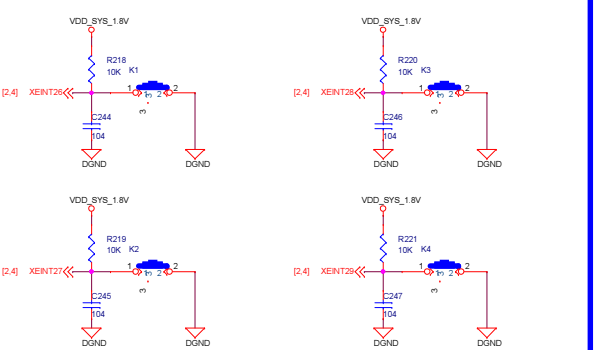
BOOT CS



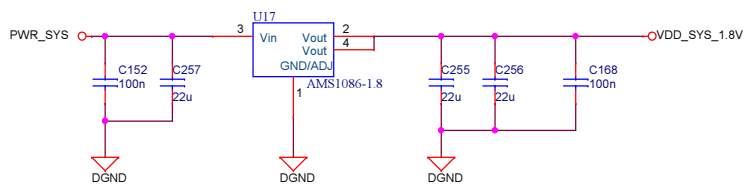
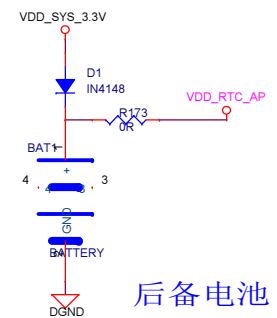
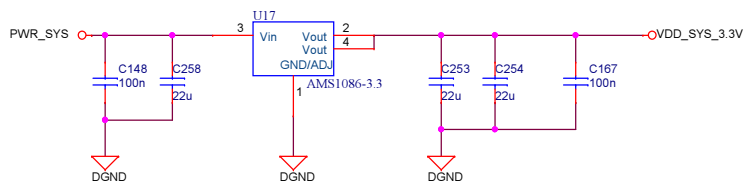
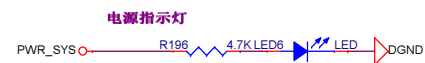
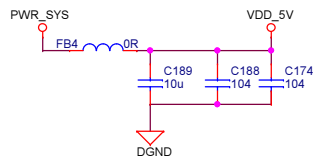
POWER JACK



KEY

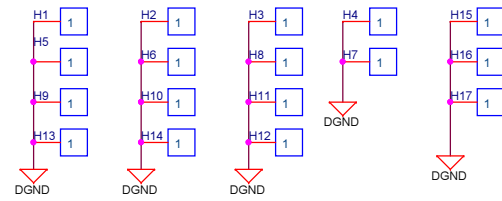


| | | |
|------|-------------------------|---------------|
| File | TINY44128DK | |
| Size | Document Number | Rev |
| A2 | <Doc> | |
| Date | Thursday, June 27, 2013 | Sheet 8 of 10 |



后备电池

HOLES



| | | | |
|-------|-------------------------|-------------|----------|
| Title | | TINY4412SDK | |
| Size | Document Number | Rev | |
| A3 | ID Mark/Fixed Hold | 1 | |
| Date: | Thursday, June 27, 2013 | Sheet | 10 of 10 |