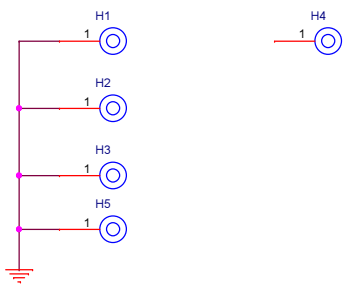
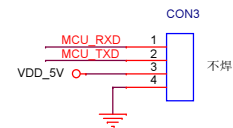
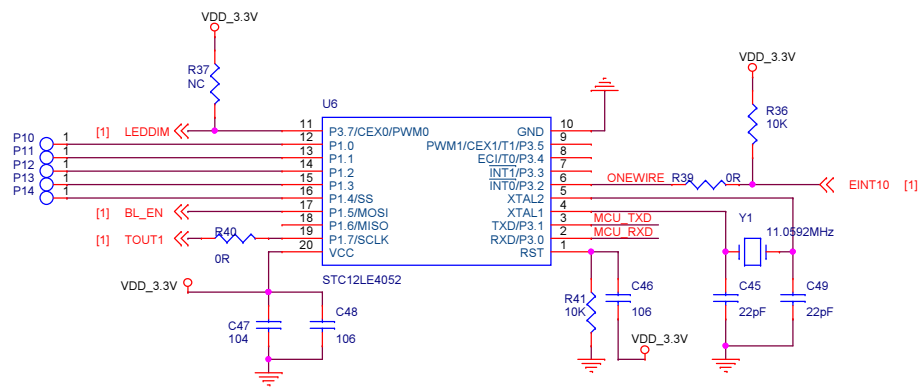


下接，翻盖



<b>S701-121212</b>		
<Title2>		
Size	Document Number	Rev
A3	<Doc>	<Rev Code>
Date:	Thursday, June 27, 2013	Sheet 1 of 2



S701-121212		
<Title2>		
Size	Document Number	Rev
A3	<Doc>	<Rev Code>
Date:	Thursday, June 27, 2013	Sheet 2 of 2