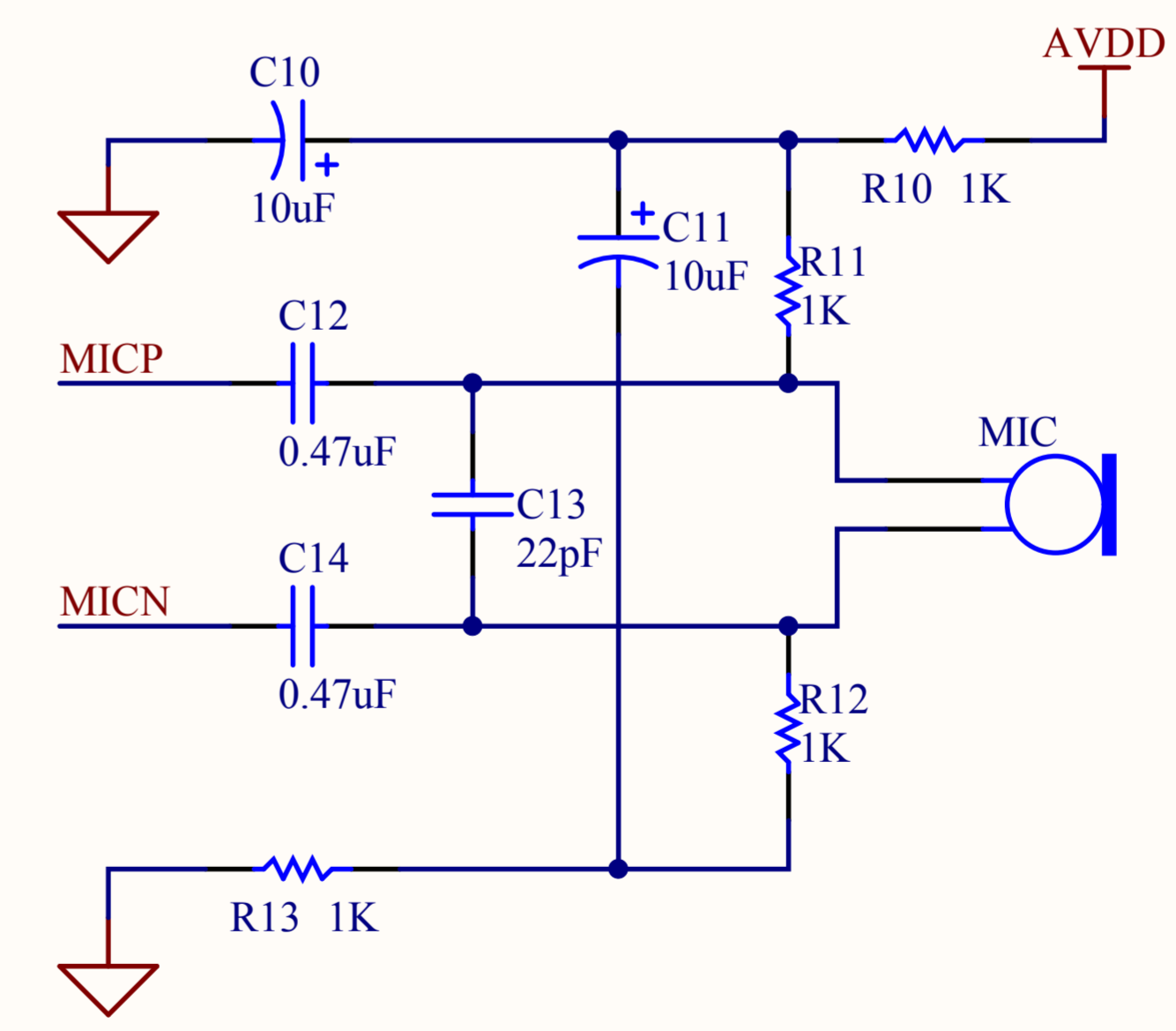
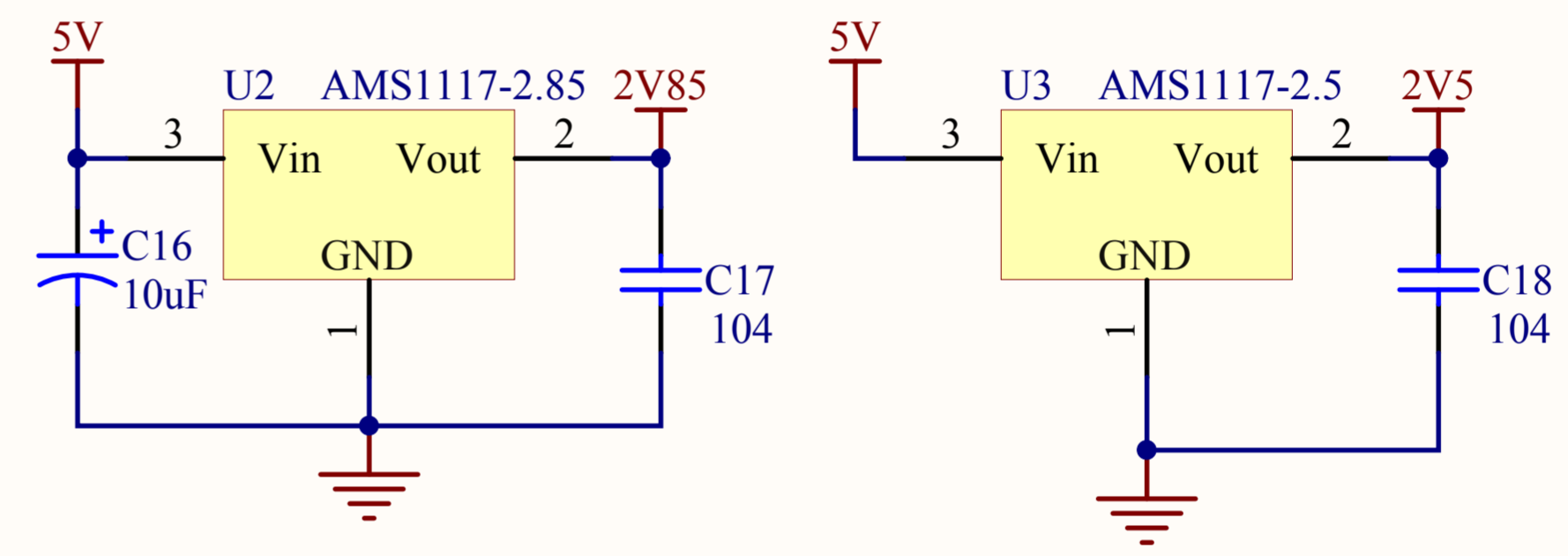


最小值 推荐值 最大值
 AVDD : 2.6V - 2.8V - 2.85V
 CVDD : 2.4V - 2.5V - 2.7V
 IOVDD: CVDD-0.6V-2.8V-3.6V



Title		
Size	Number	Revision
A4		
Date:	2010/10/31	Sheet of
File:	E:\Temp\..VS1003.SCHDOC	Drawn By: