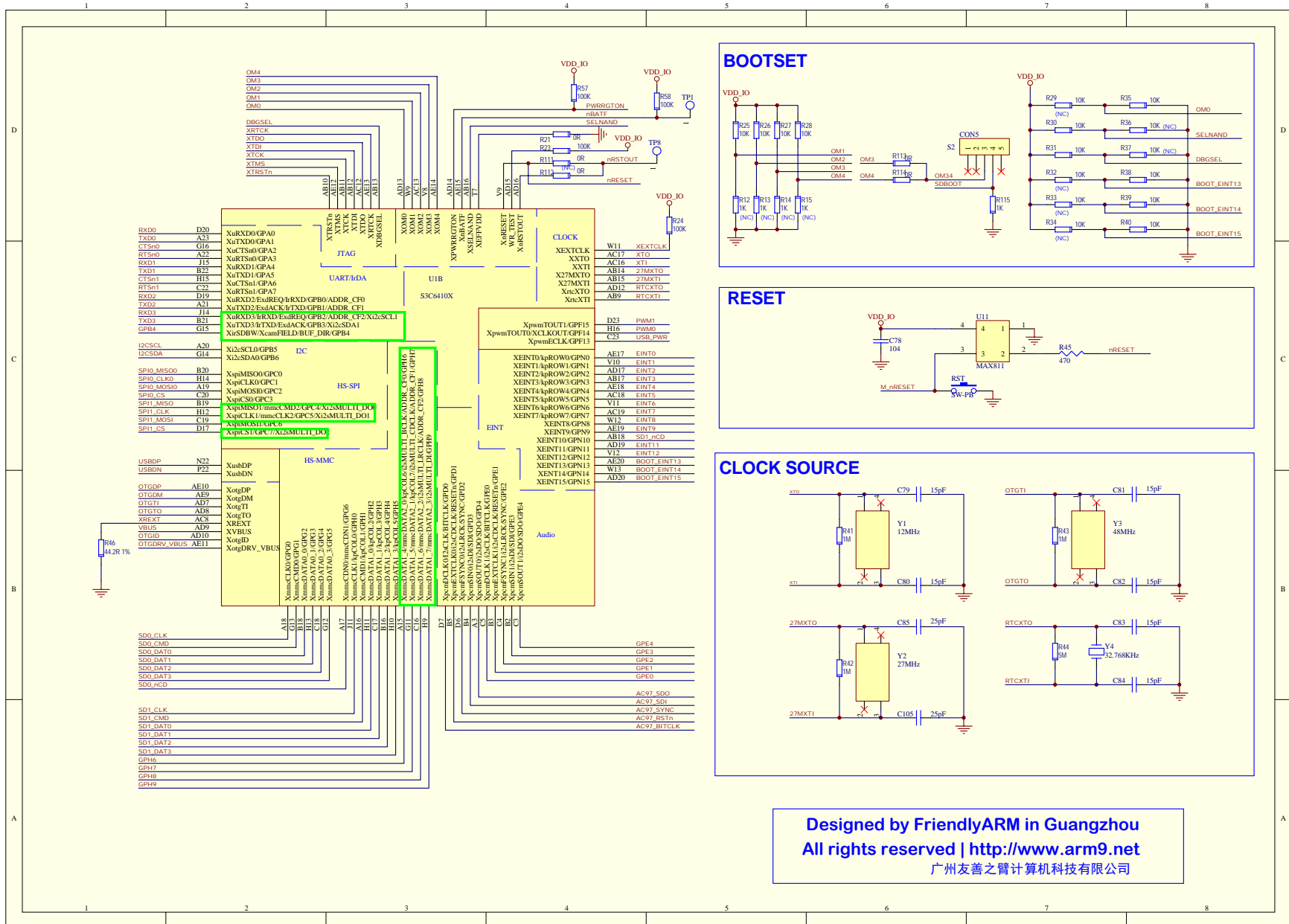
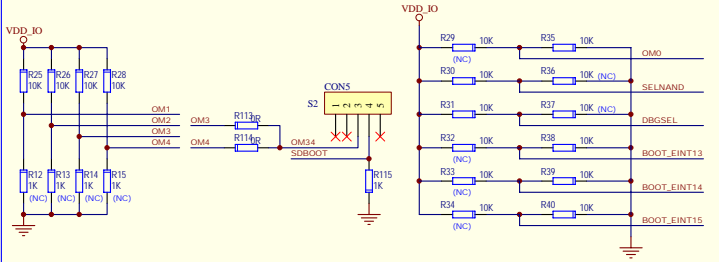


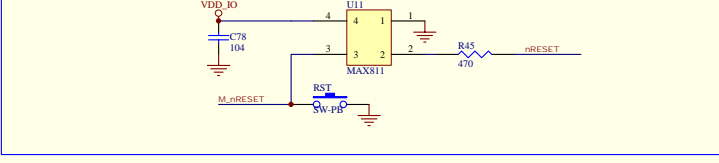
Designed by FriendlyARM in Guangzhou
 All rights reserved | <http://www.arm9.net>
 广州友善之臂计算机科技有限公司



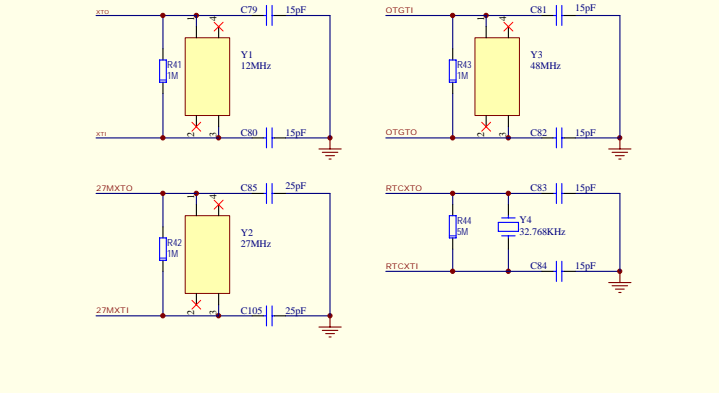
BOOTSET



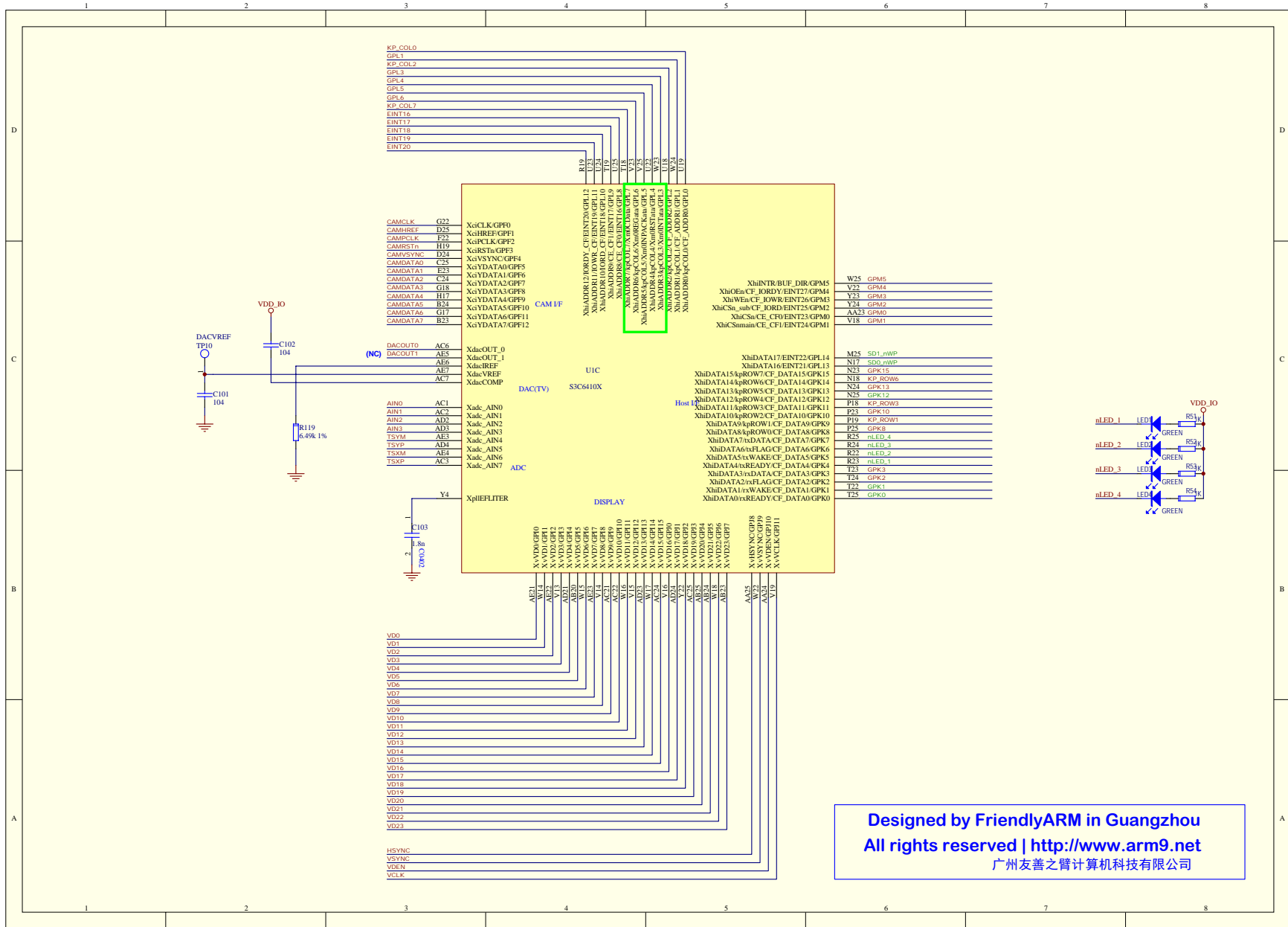
RESET



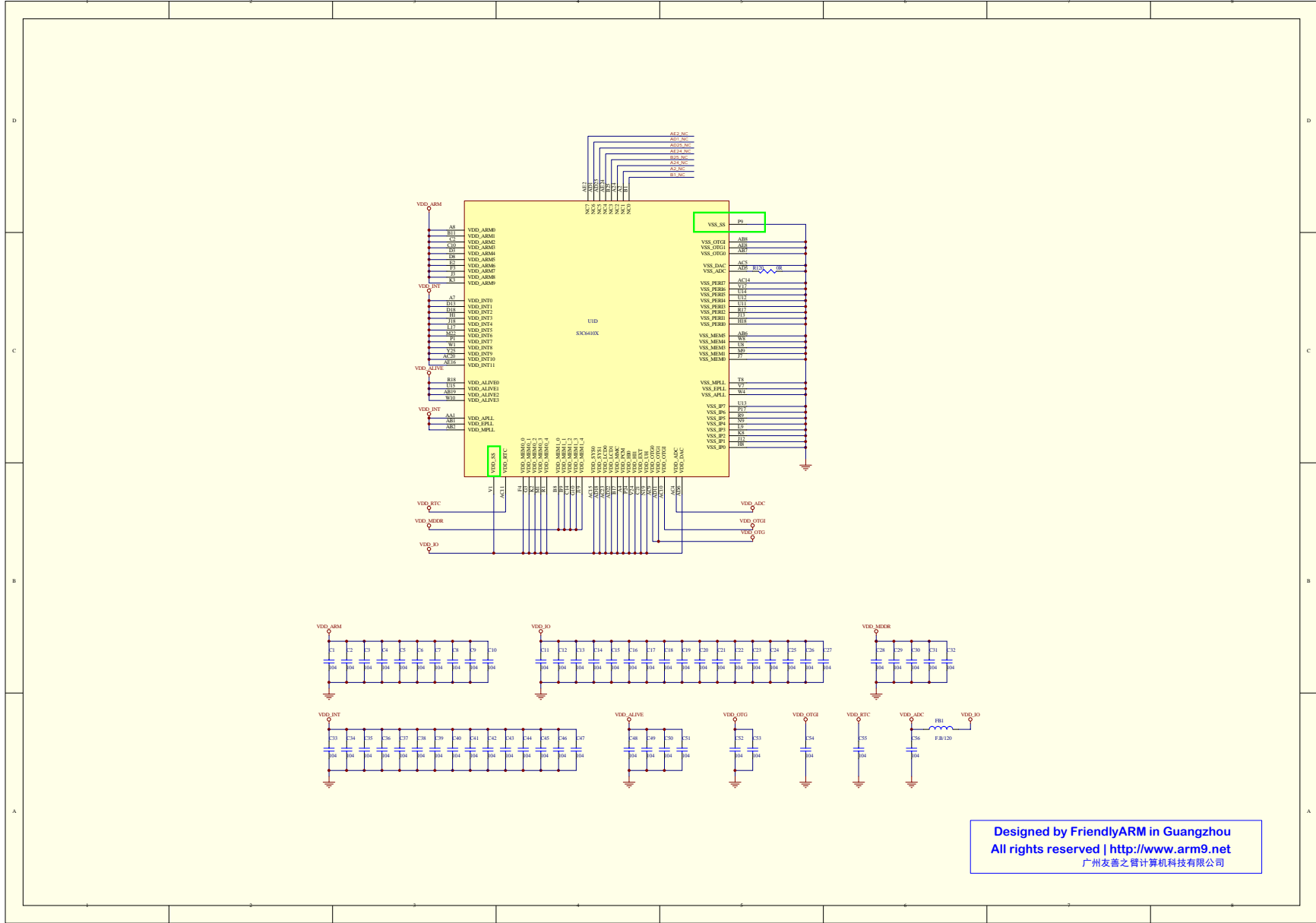
CLOCK SOURCE



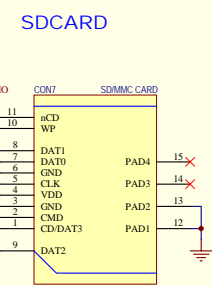
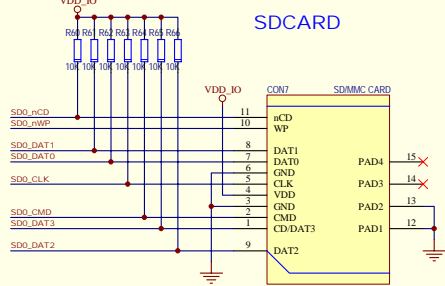
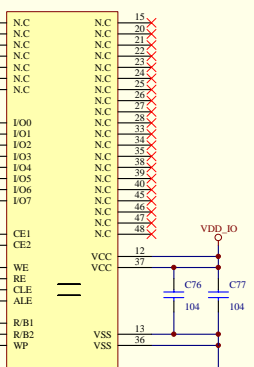
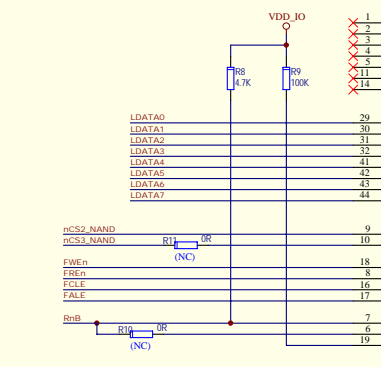
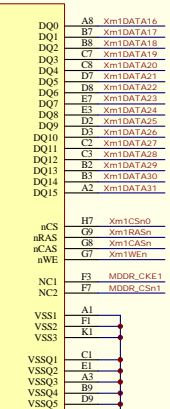
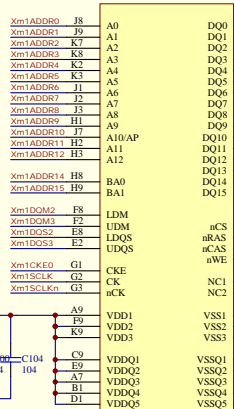
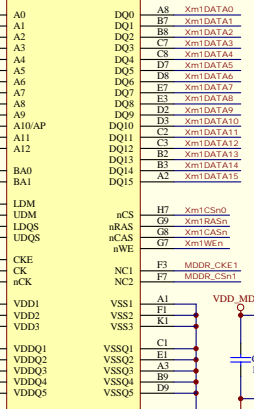
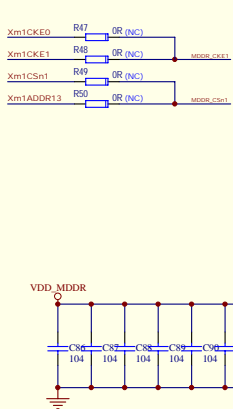
Designed by FriendlyARM in Guangzhou
 All rights reserved | <http://www.arm9.net>
 广州友善之臂计算机科技有限公司



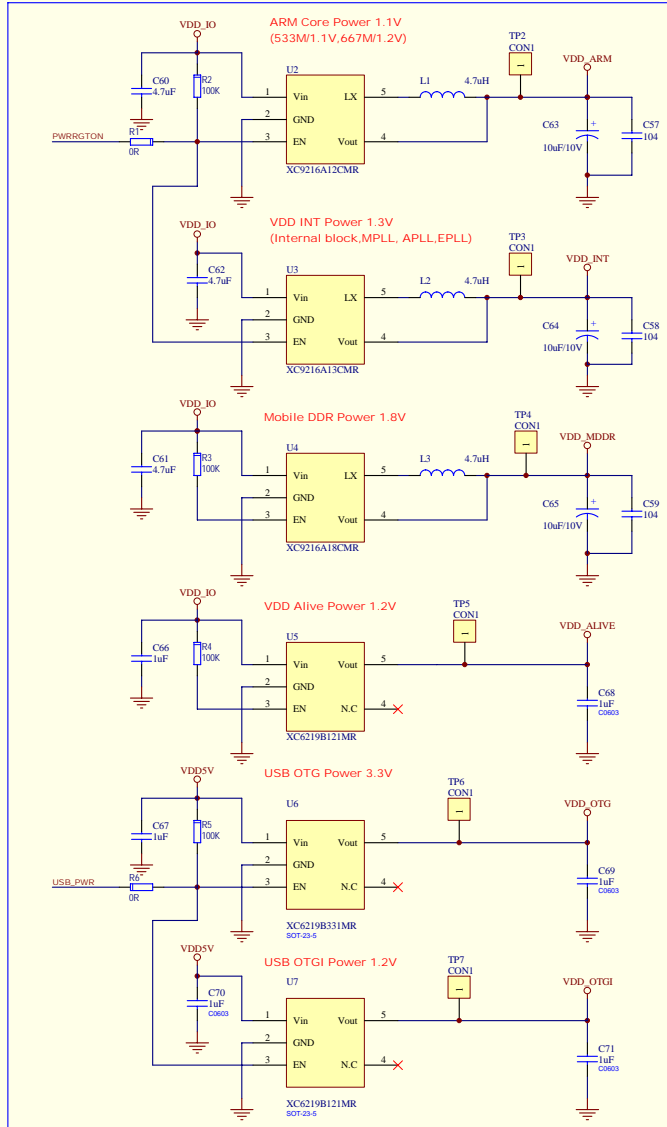
Designed by FriendlyARM in Guangzhou
 All rights reserved | <http://www.arm9.net>
 广州友善之臂计算机科技有限公司



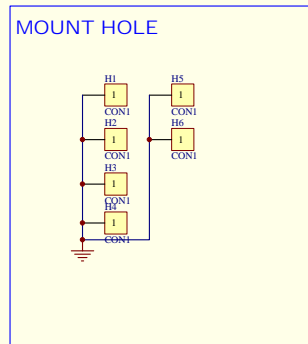
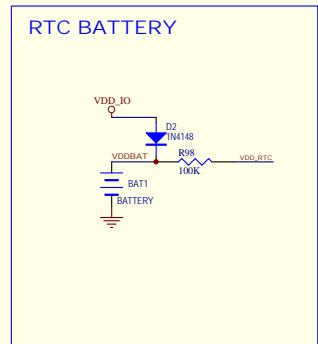
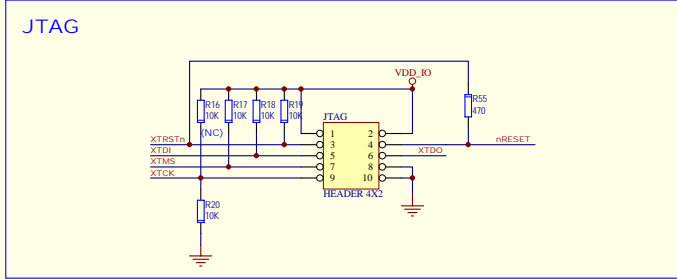
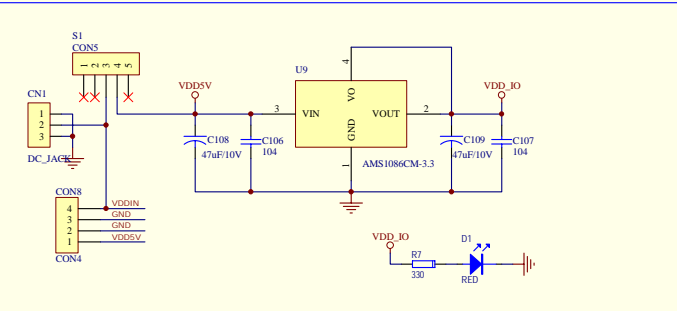
Designed by FriendlyARM in Guangzhou
 All rights reserved | <http://www.arm9.net>
 广州友善之臂计算机科技有限公司



Designed by FriendlyARM in Guangzhou
 All rights reserved | <http://www.arm9.net>
 广州友善之臂计算机科技有限公司

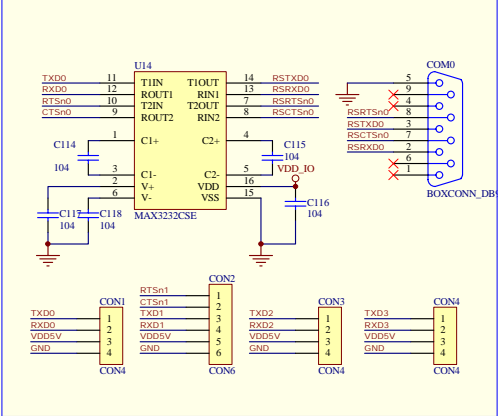


POWER Supply

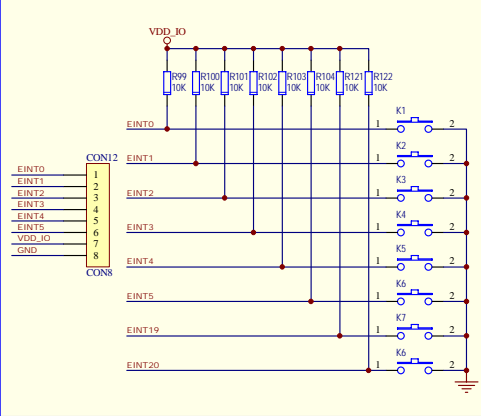


Designed by FriendlyARM in Guangzhou
All rights reserved | <http://www.arm9.net>
 广州友善之臂计算机科技有限公司

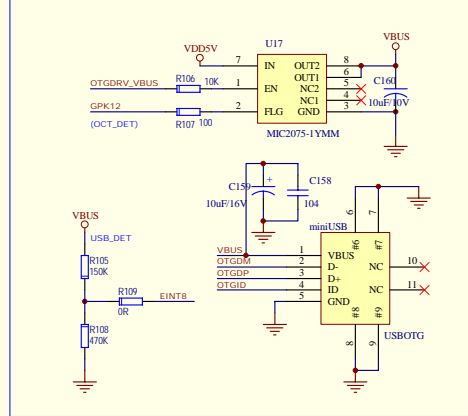
UART0-3



Buttons

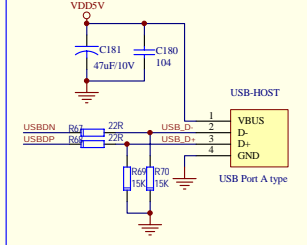


USB Slave/OTG

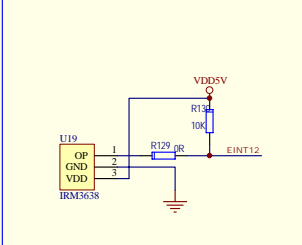


Designed by FriendlyARM in Guangzhou
 All rights reserved | <http://www.arm9.net>
 广州友善之臂计算机科技有限公司

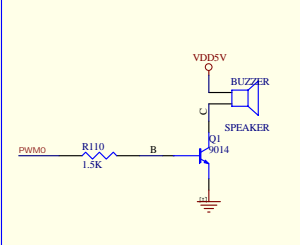
USB Host



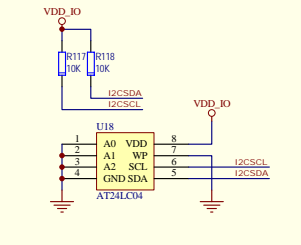
IR Receiver



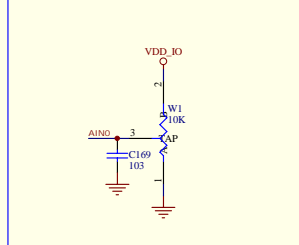
PWM Control Buzzer



I2C-EEPROM

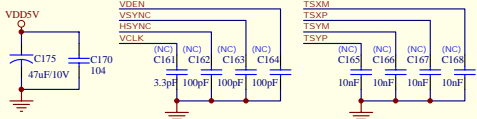
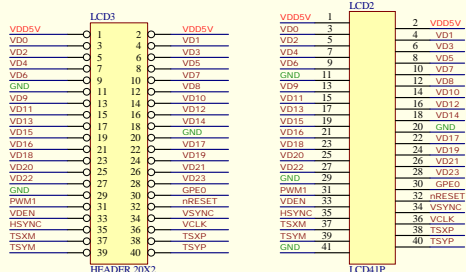


AD-Convert

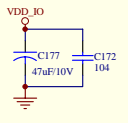
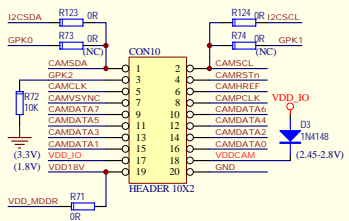


LCD Connector

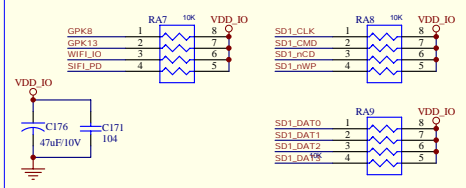
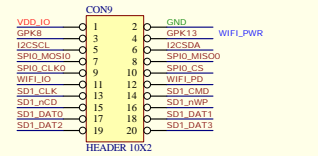
GPE0 - for LCD Backlight ON-OFF
PWM1 - not used for Backlight Dimming in future.



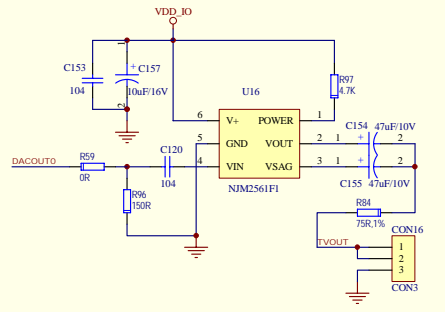
CMOS CAMERA



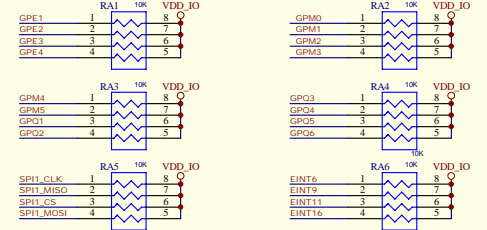
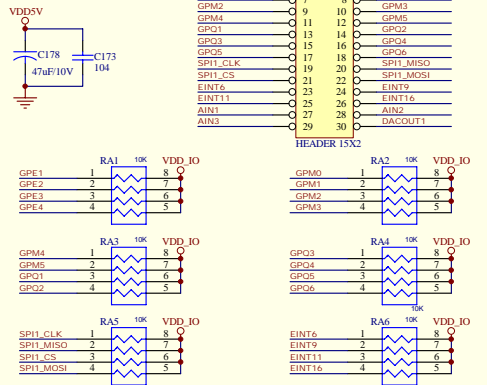
SDIO II



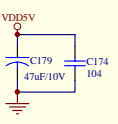
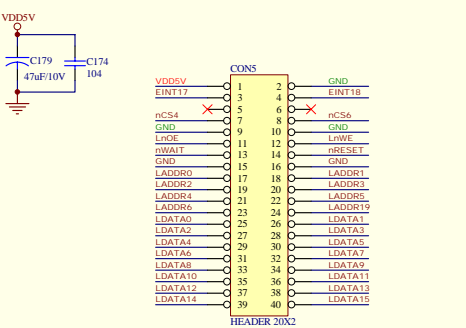
TV-OUT



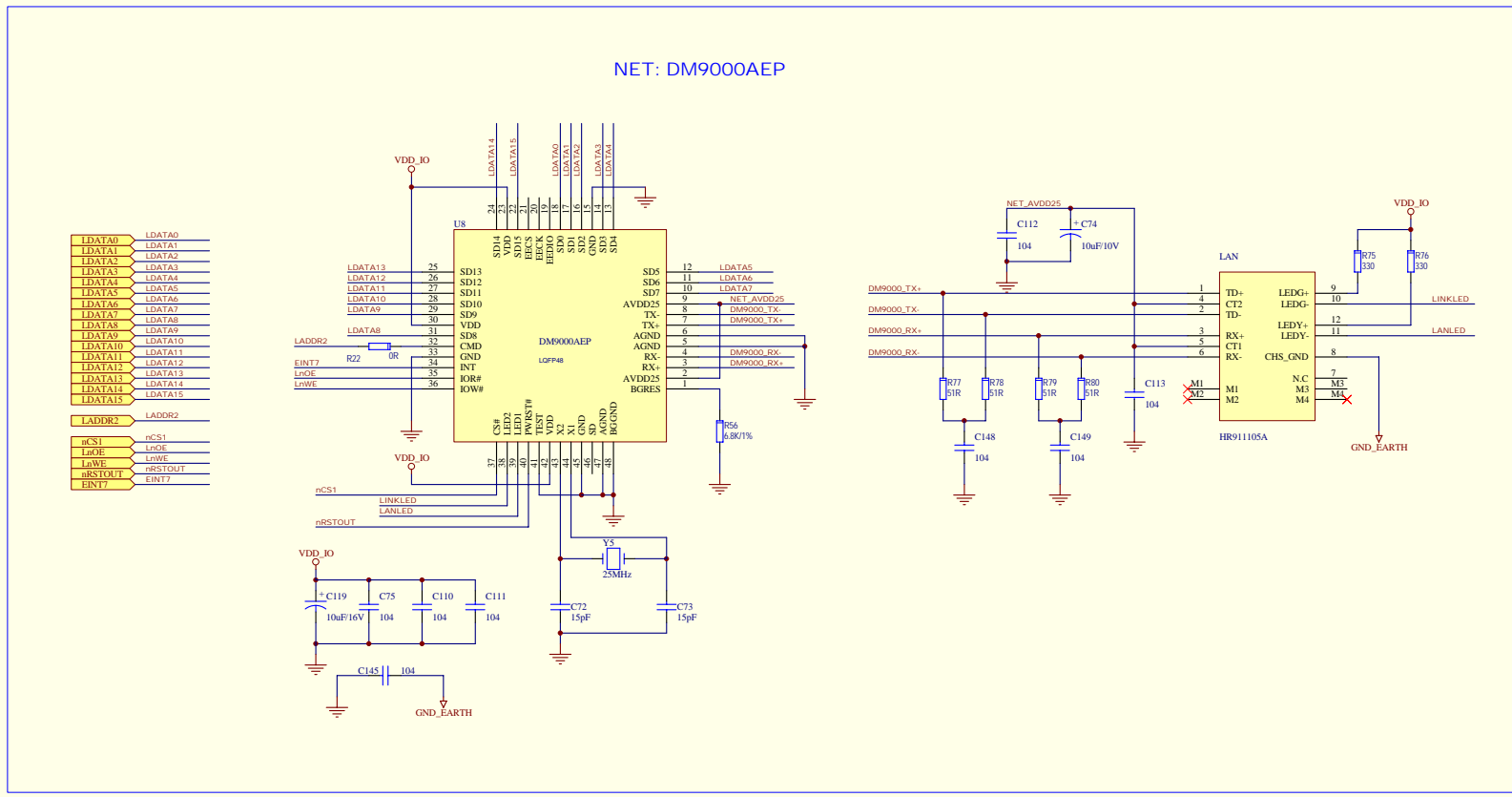
GPIO PORT



System Bus Extend

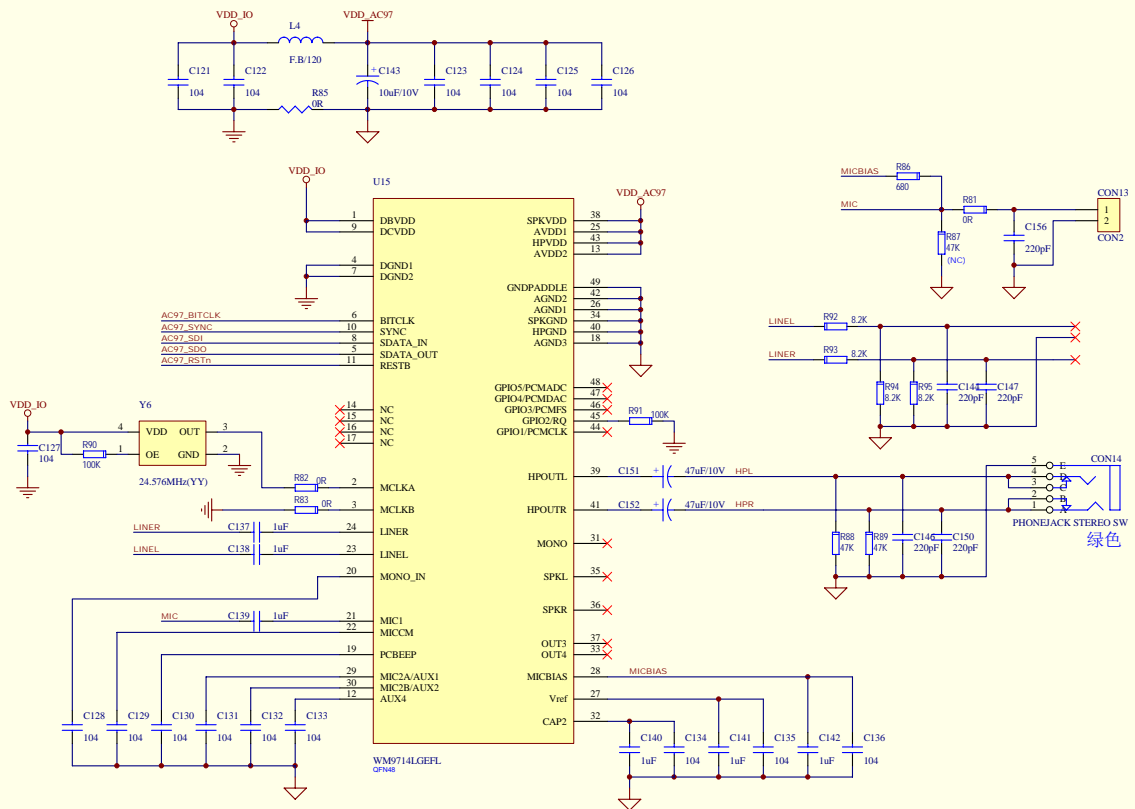


NET: DM9000AEP



Designed by FriendlyARM in Guangzhou
 All rights reserved | <http://www.arm9.net>
 广州友善之臂计算机科技有限公司

Audio Codec



Designed by FriendlyARM in Guangzhou
 All rights reserved | <http://www.arm9.net>
 广州友善之臂计算机科技有限公司