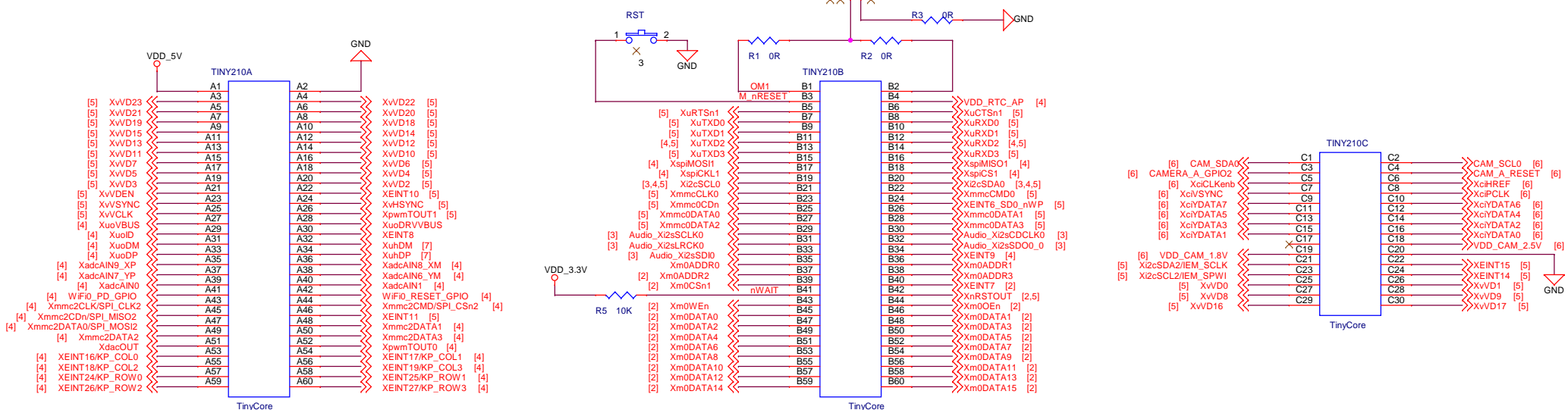
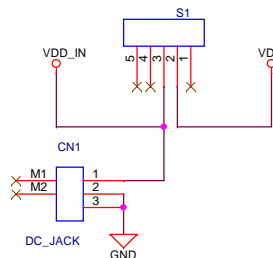


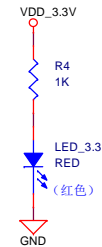
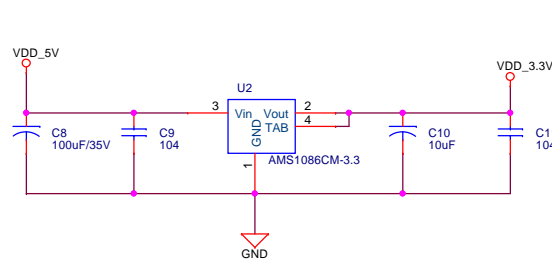
CoreBoard



5V Power In

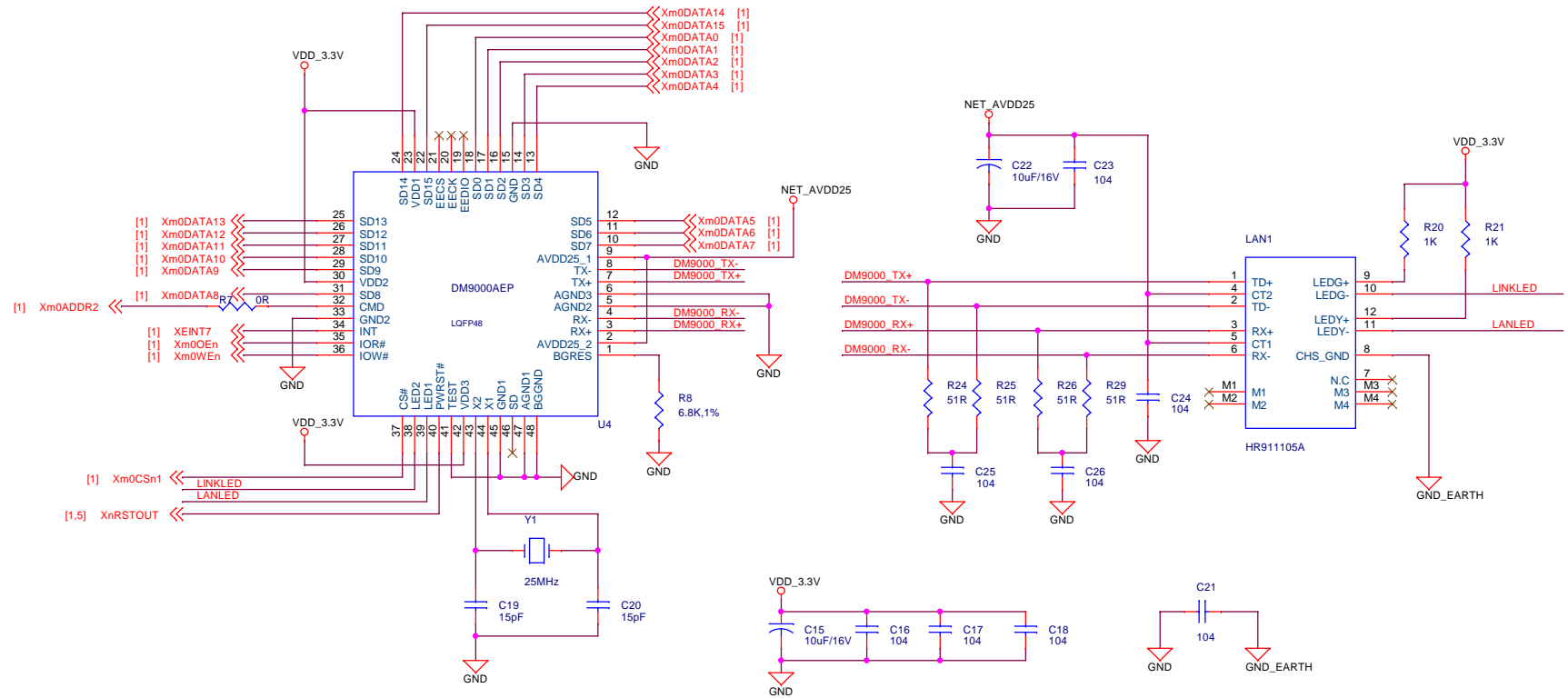


3.3V Power Supply

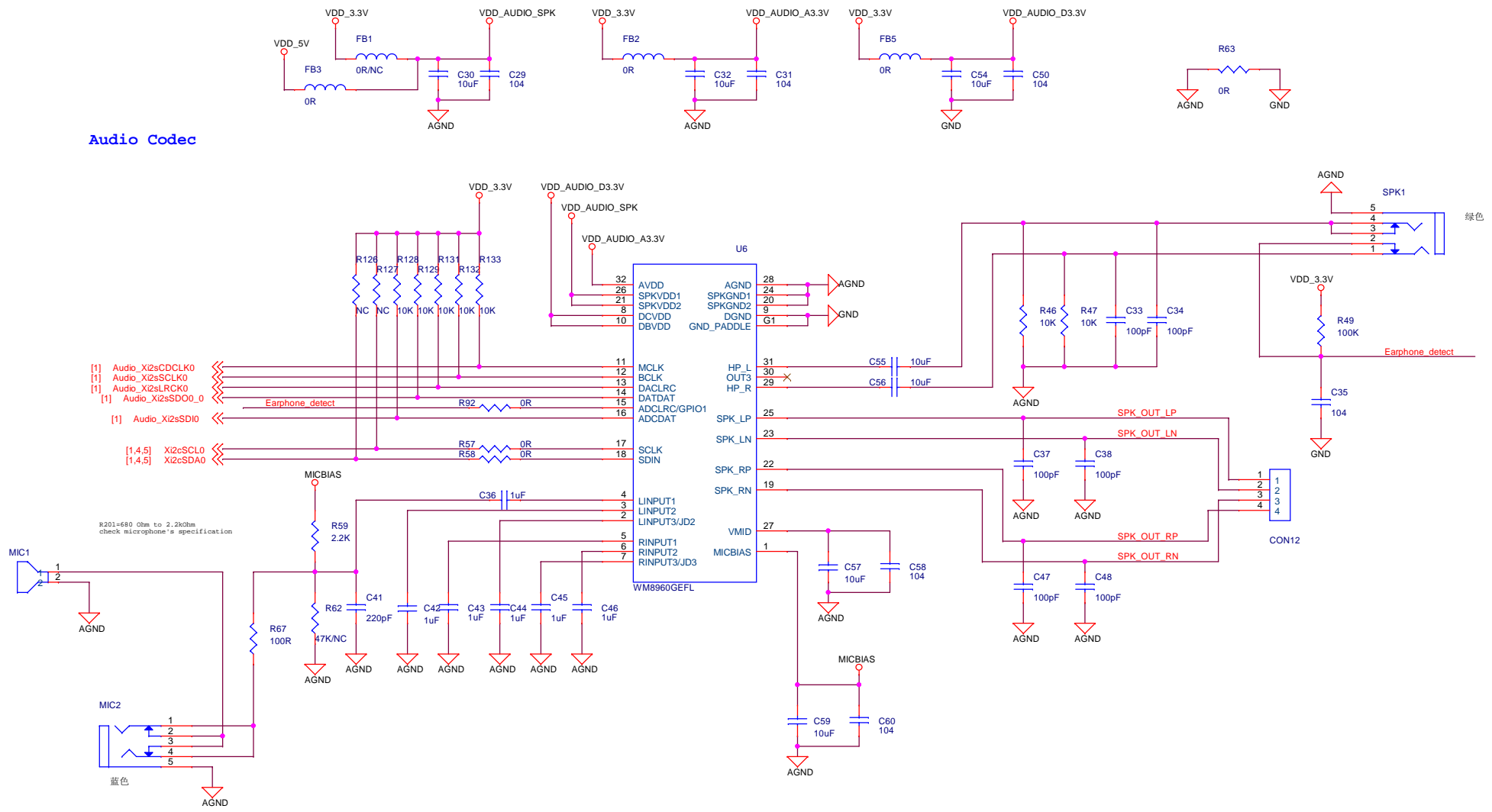


FriendlyARM		
Title		
Size A3	Document Number CORE-PWR	Rev
Date: Thursday, September 20, 2012	Sheet 1 of 9	

Ethernet:DM9000AEP

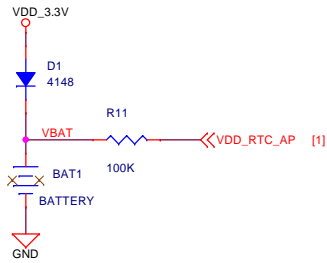


Audio Codec

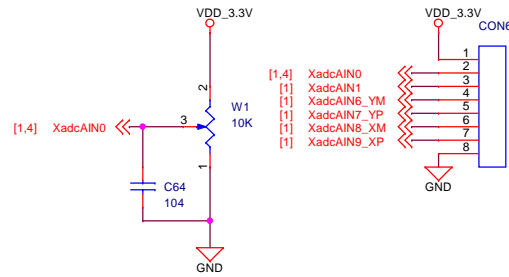


FriendlyARM		
Title		
Size A3	Document Number AUDIO CODEC	Rev
Date: Thursday, September 20, 2012	Sheet 3	of 9

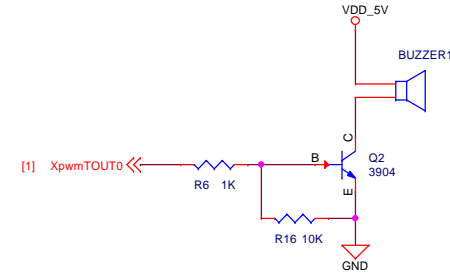
RTC



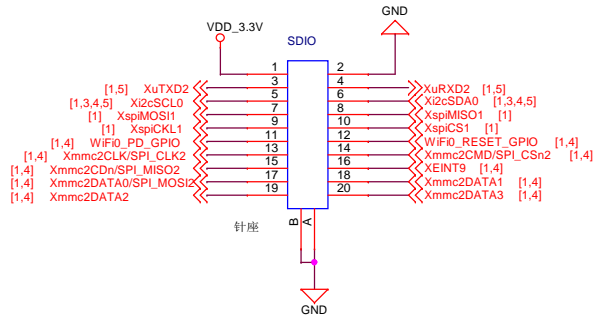
AD-Convert



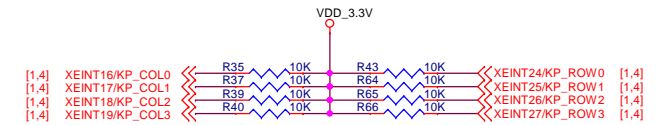
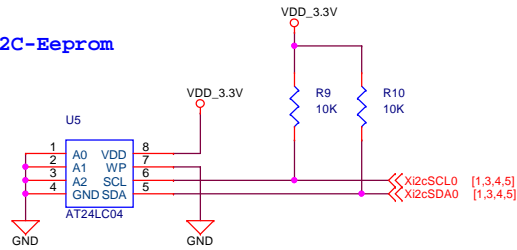
PWM Buzzer



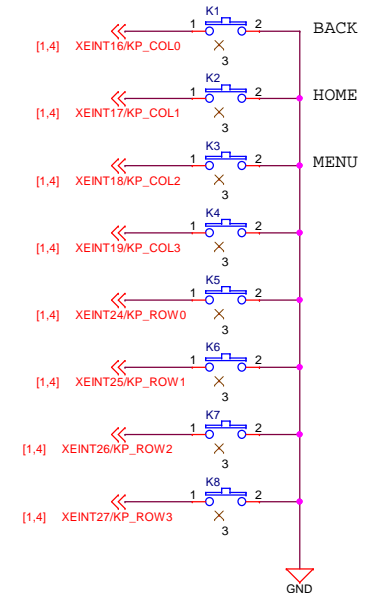
SDIO



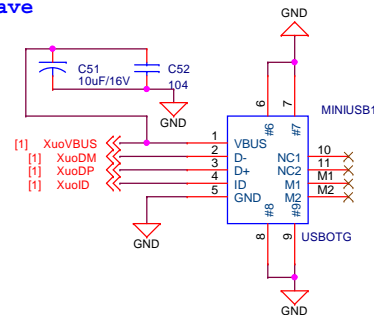
I2C-Eeprom



Buttons

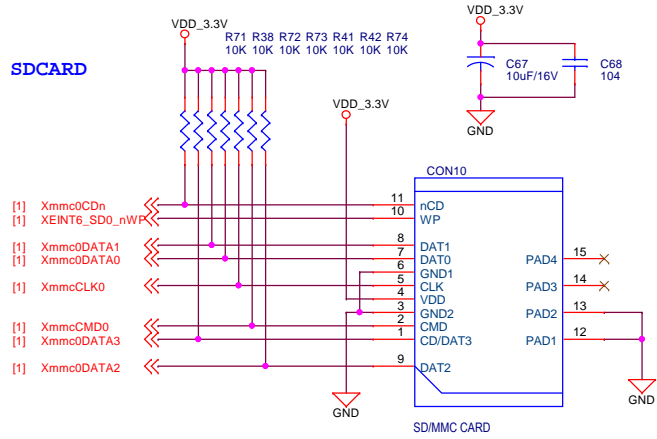


USB Slave

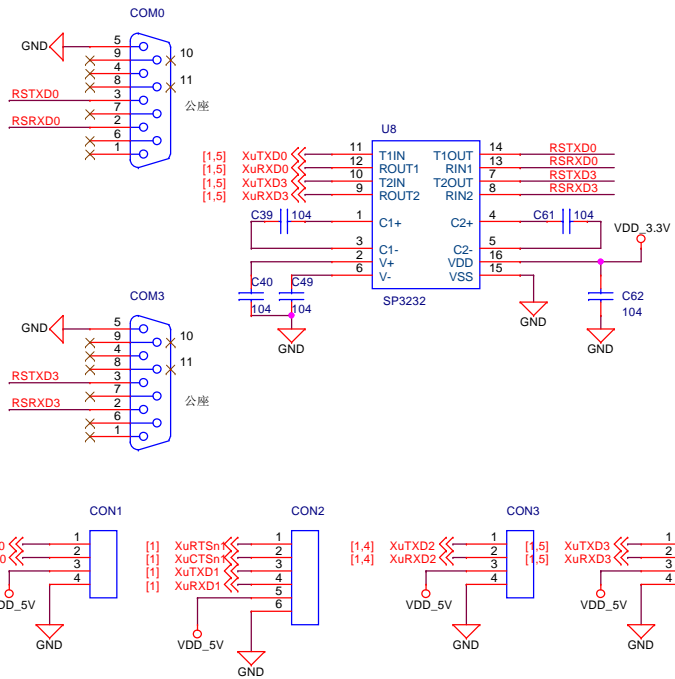


FriendlyARM		
Title		
Size A3	Document Number SCON-USB-ETC	Rev
Date: Thursday, September 20, 2012	Sheet 4	of 9

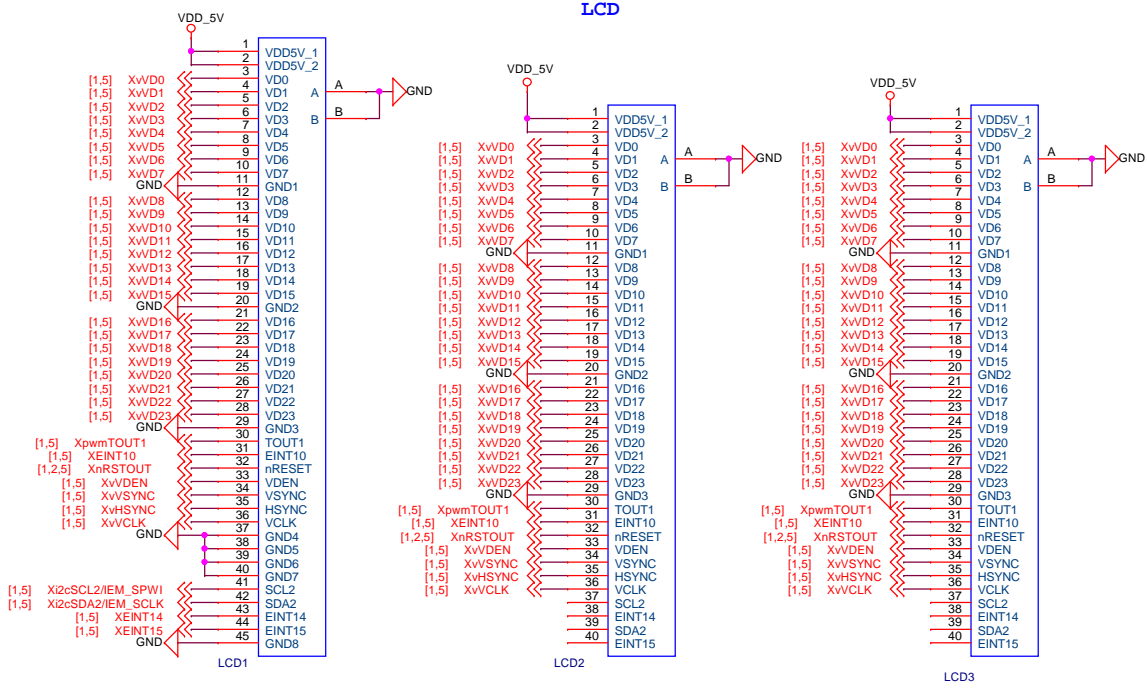
SDCARD



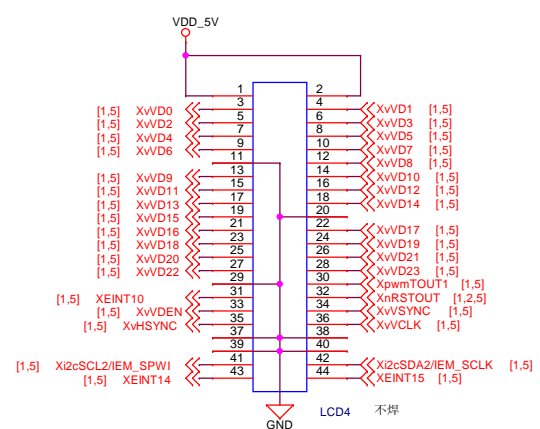
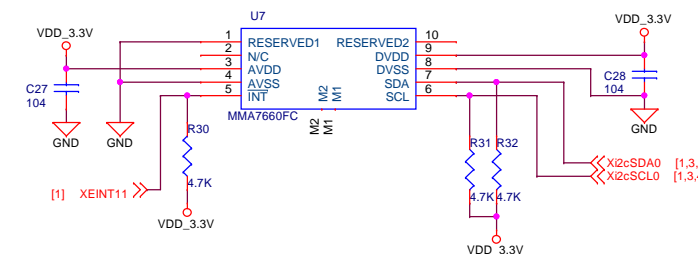
UART



LCD

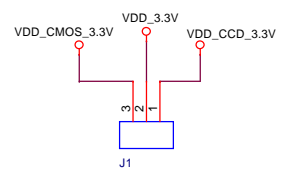
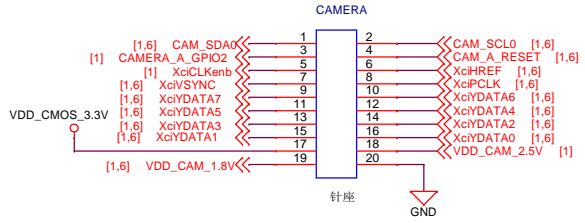
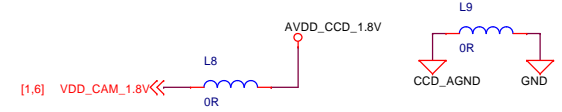
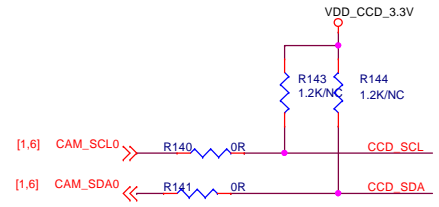
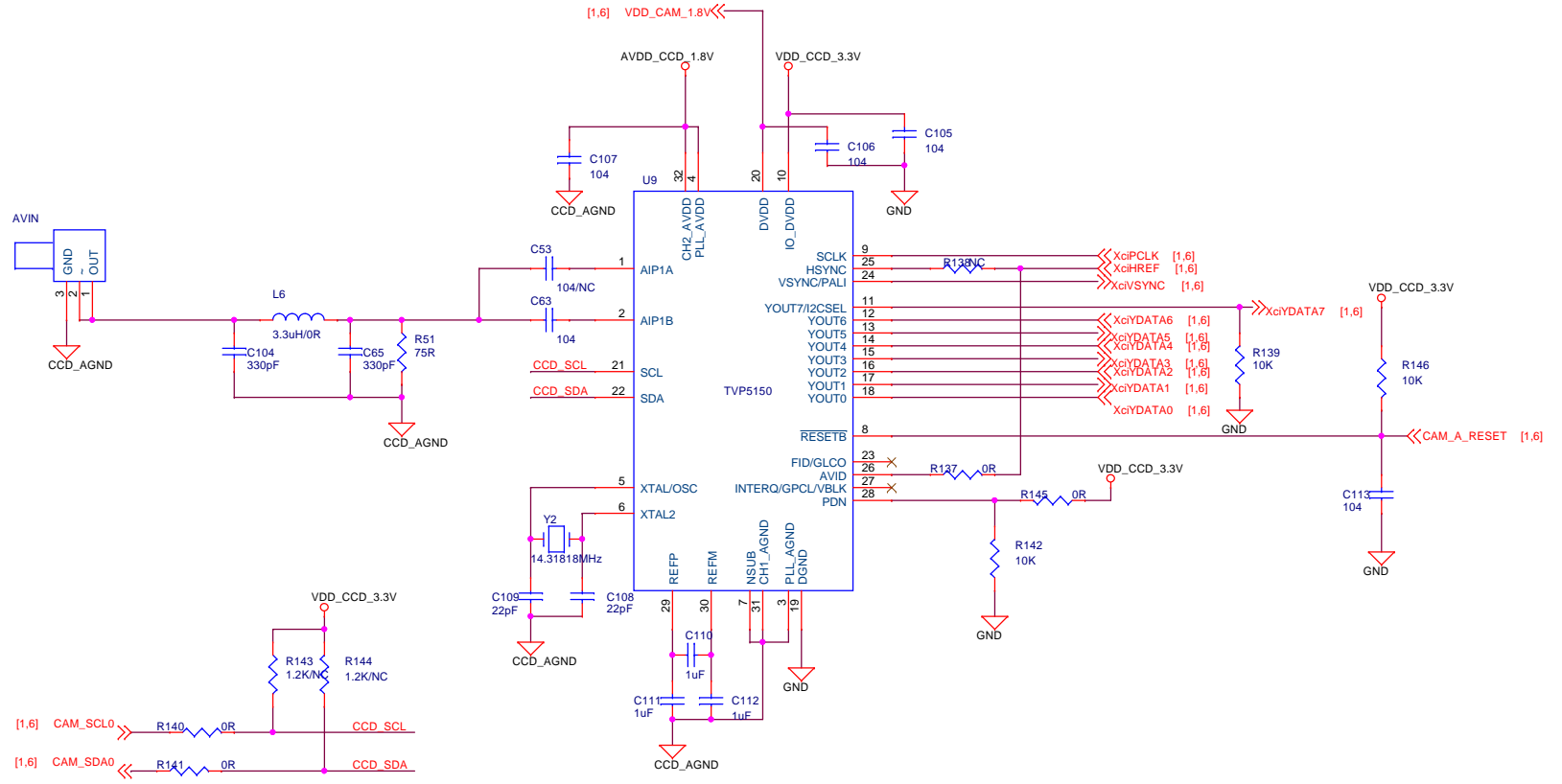


G-Sensor



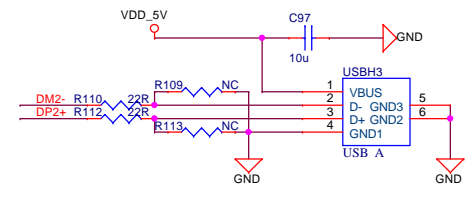
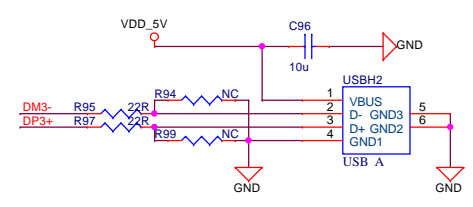
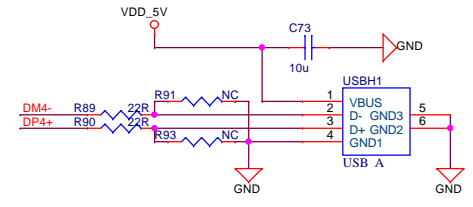
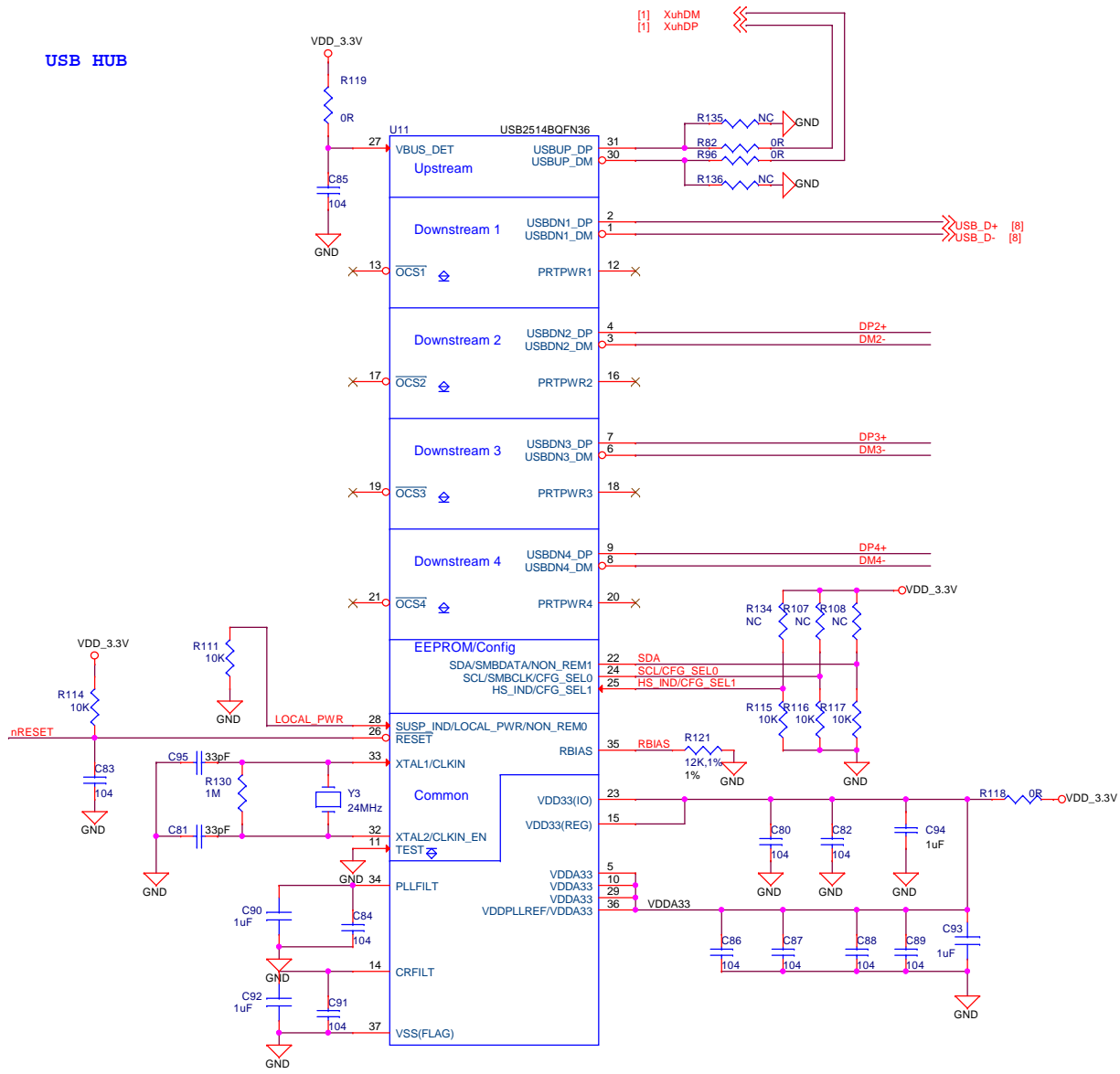
FriendlyARM		
Title		
Size	Document Number	Rev
A3	LCD-UART-SDCARD-GSensor	
Date:	Thursday, September 20, 2012	Sheet 5 of 9

Camera

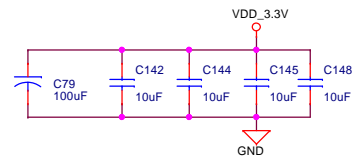
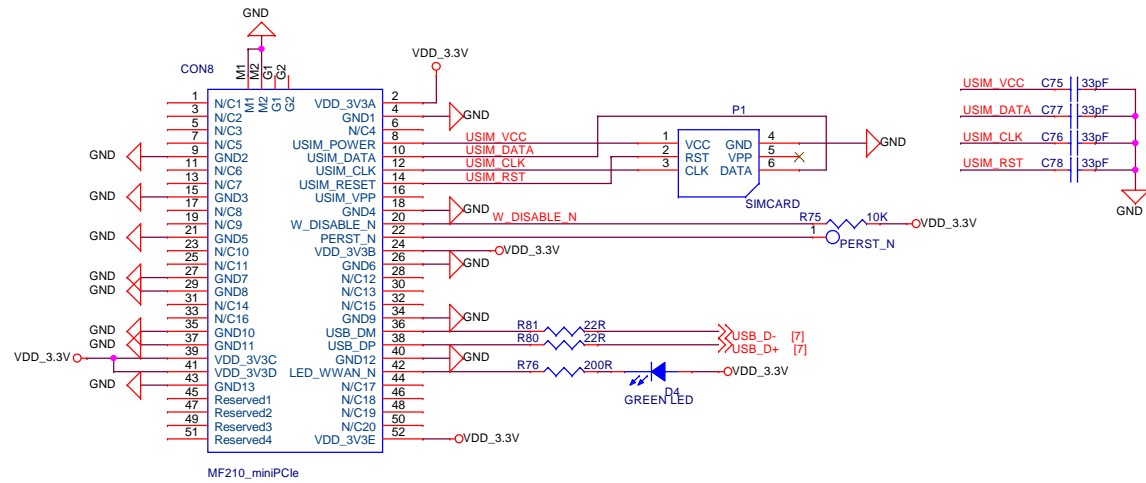


Title		<Title>
Size	Document Number	Rev
A3	<Doc>	<Rev Code>
Date:	Thursday, September 20, 2012	Sheet 6 of 9

USB HUB

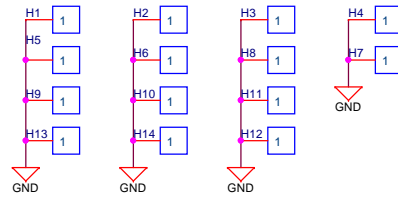


Title		<Title>
Size	Document Number	Rev
A3	<Doc>	<Rev Code>
Date:	Thursday, September 20, 2012	Sheet 7 of 9



Title		
<Title>		
Size	Document Number	Rev
A3	<Doc>	<Rev Code>
Date:	Tuesday, September 18, 2012	Sheet 8 of 9

HOLES



FriendlyARM		
Title		
Size A3	Document Number HOLES	Rev
Date:	Tuesday, September 18, 2012	Sheet 9 of 9