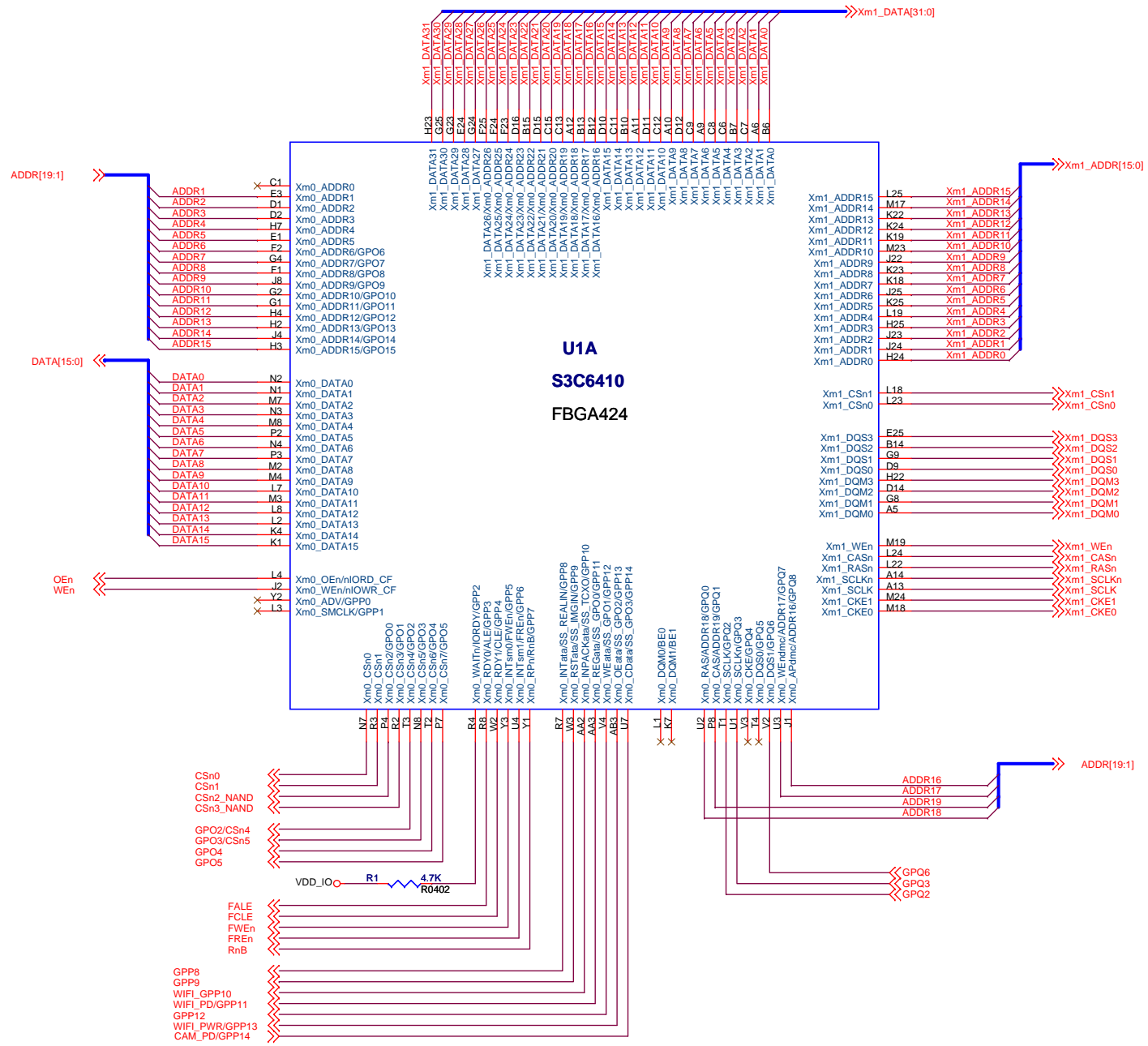


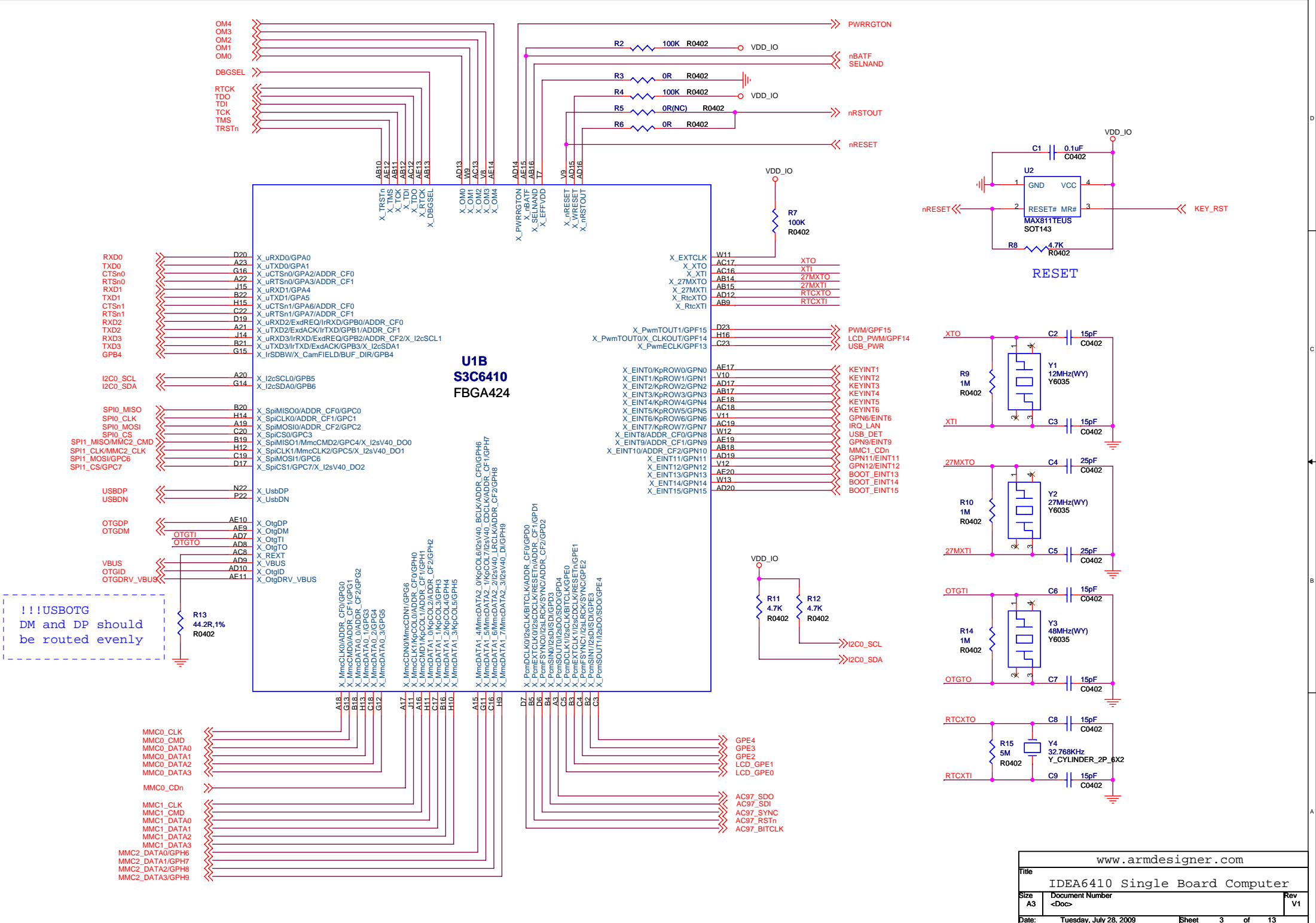
IDEA6410 Single Board Computer

| Revision | Data | Description |
|----------|------------|-------------|
| V1 | 2009.06.05 | |

Table of Contents

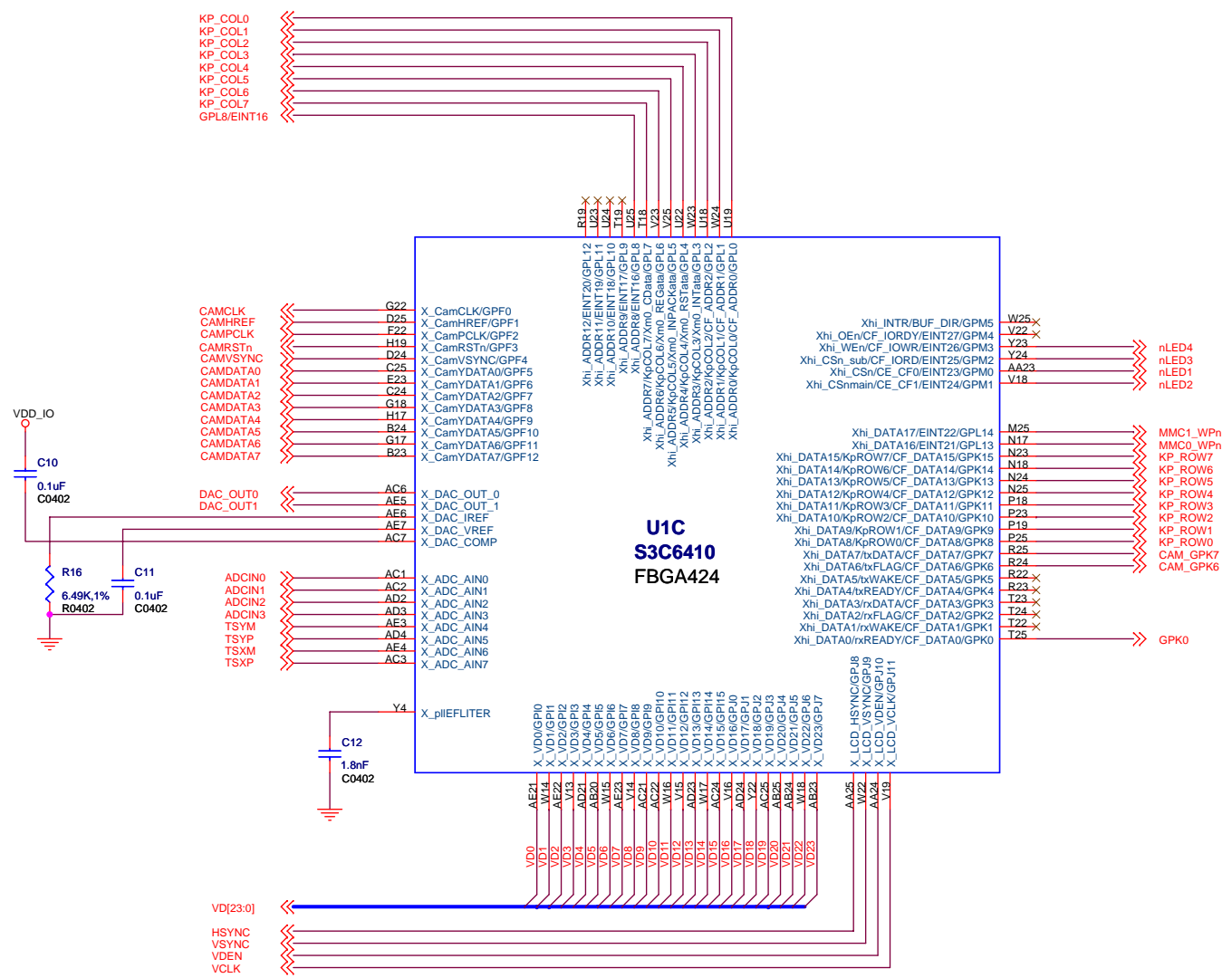
| Page | Function |
|------|--------------------------|
| 01 | TITLE |
| 02 | S3C6410_A |
| 03 | S3C6410_B |
| 04 | S3C6410_C |
| 05 | S3C6410_D |
| 06 | MDDR/NAND/NOR |
| 07 | BOOT/USB/JTAG/RTC/BUZZER |
| 08 | UART/KEY/LED |
| 09 | LCD/CAMERA |
| 10 | SD/WIFI |
| 11 | AC97 |
| 12 | ETHERNET/TVOUT/GPIO |
| 13 | POWER |



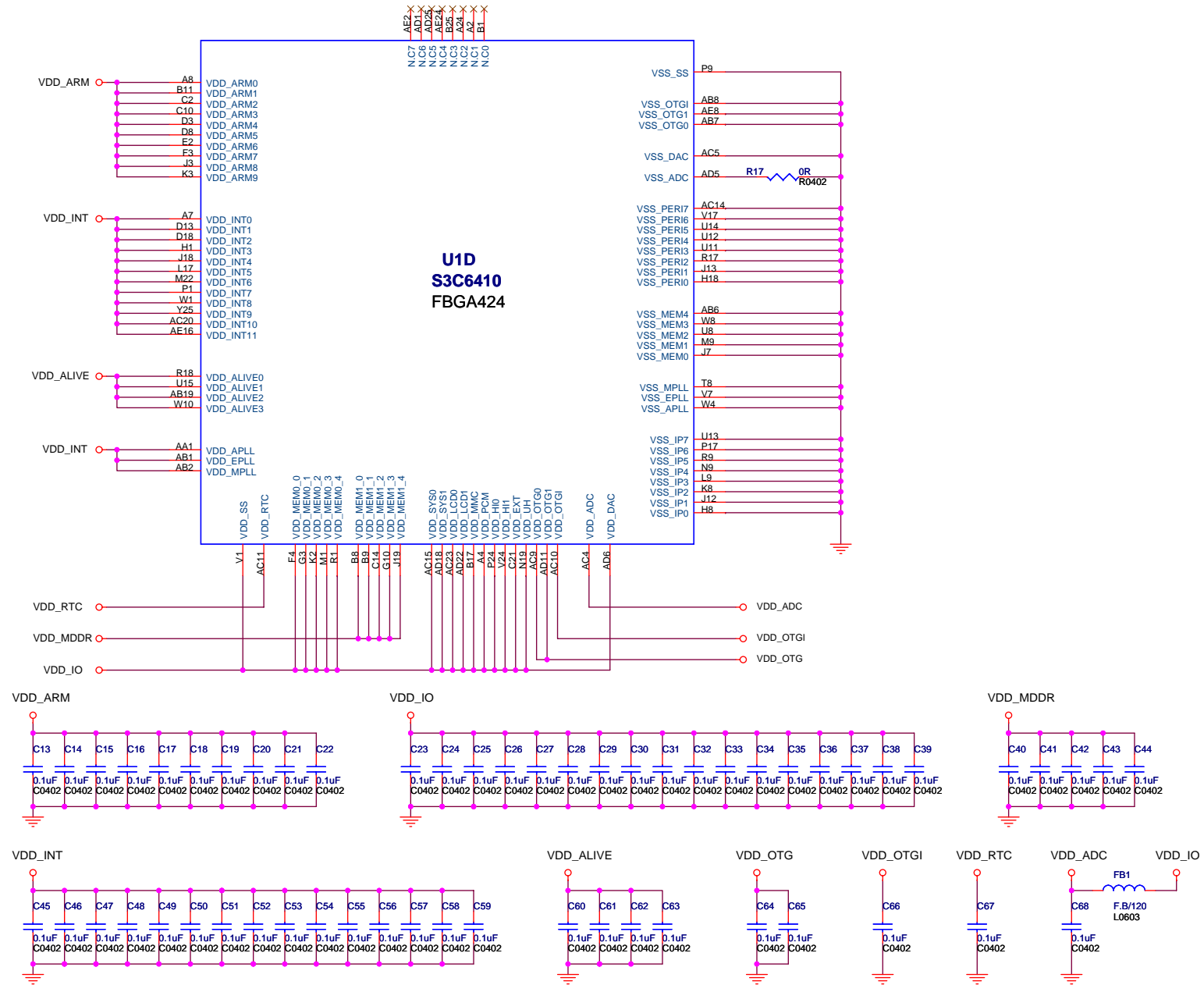


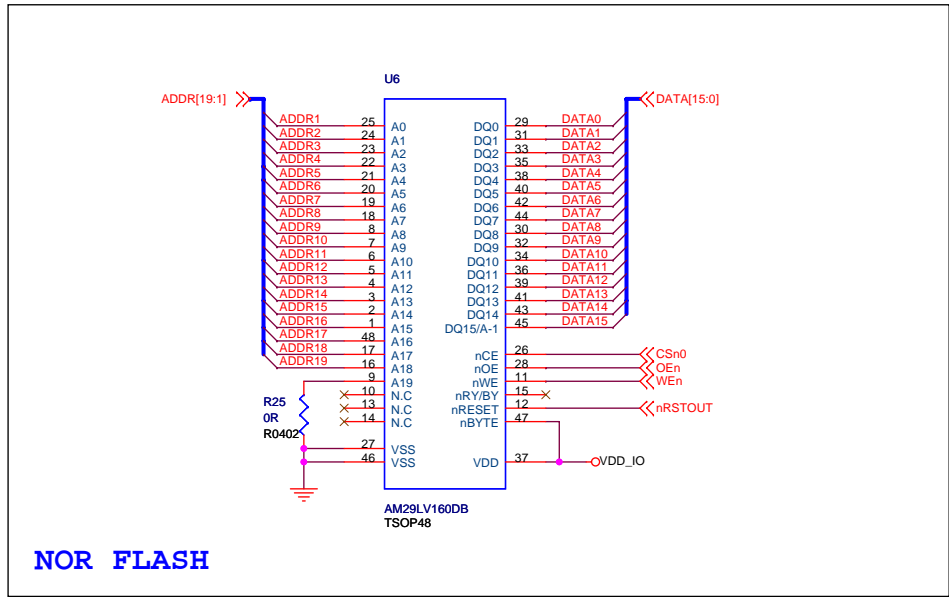
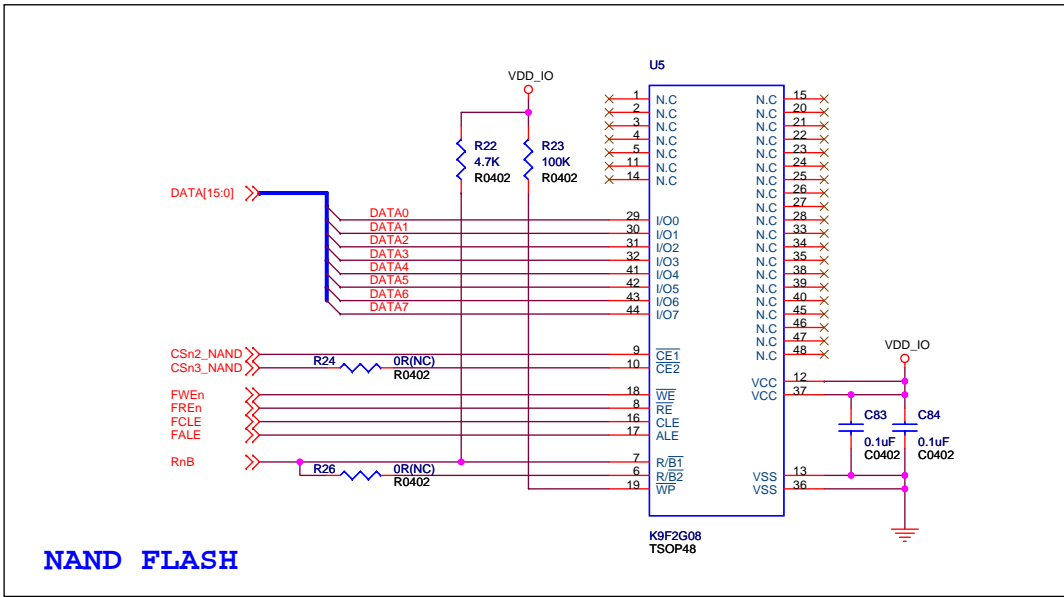
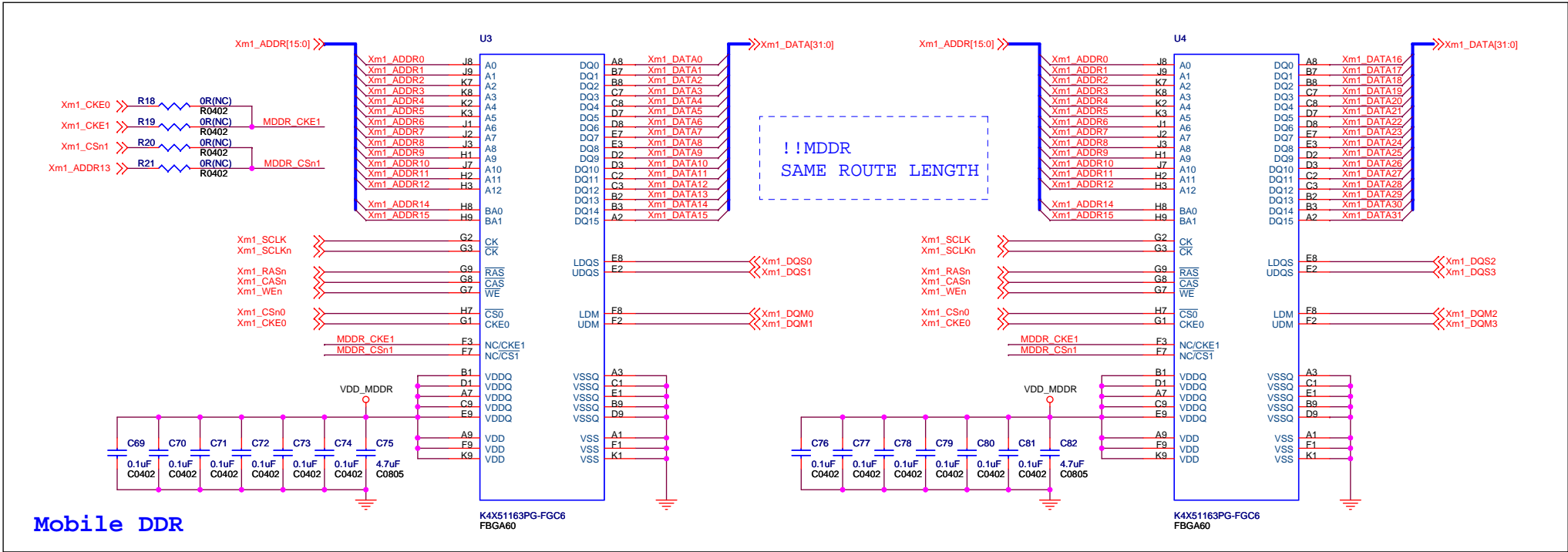
!!!USBOTG
DM and DP should
be routed evenly

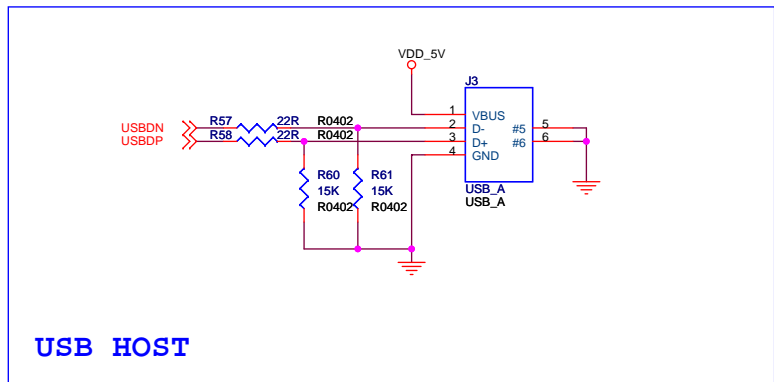
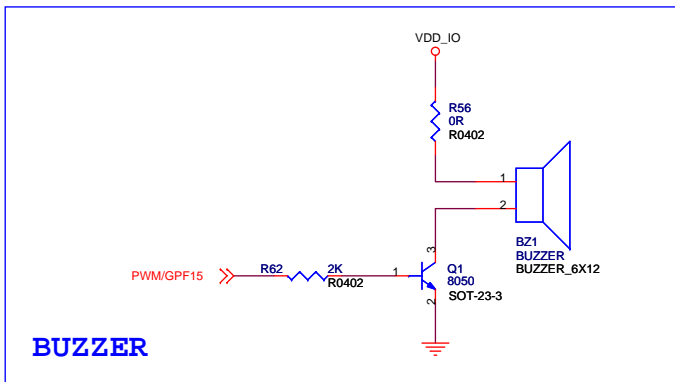
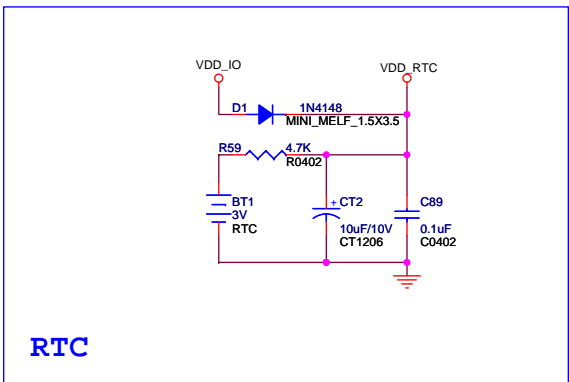
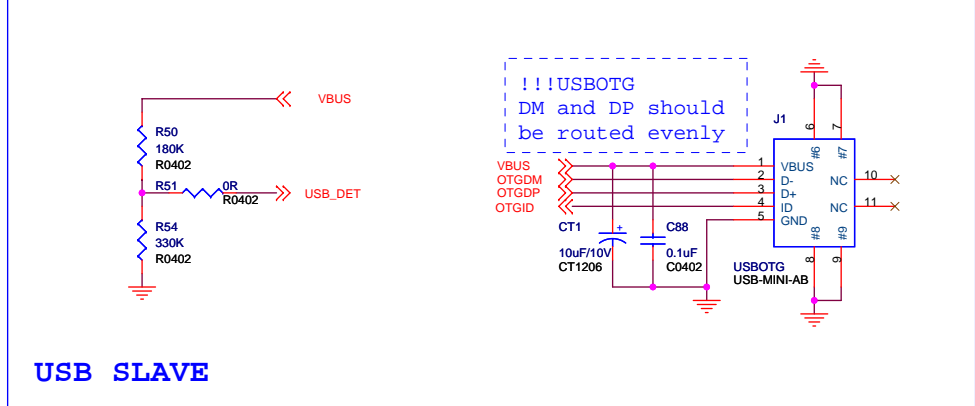
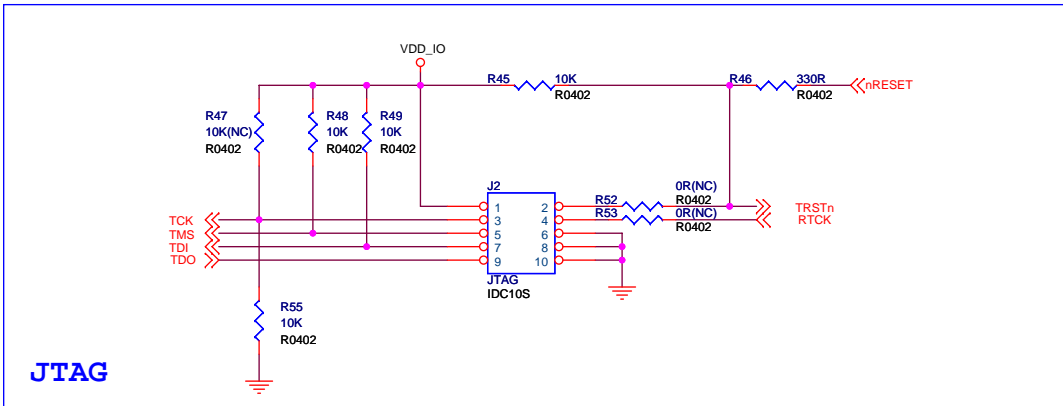
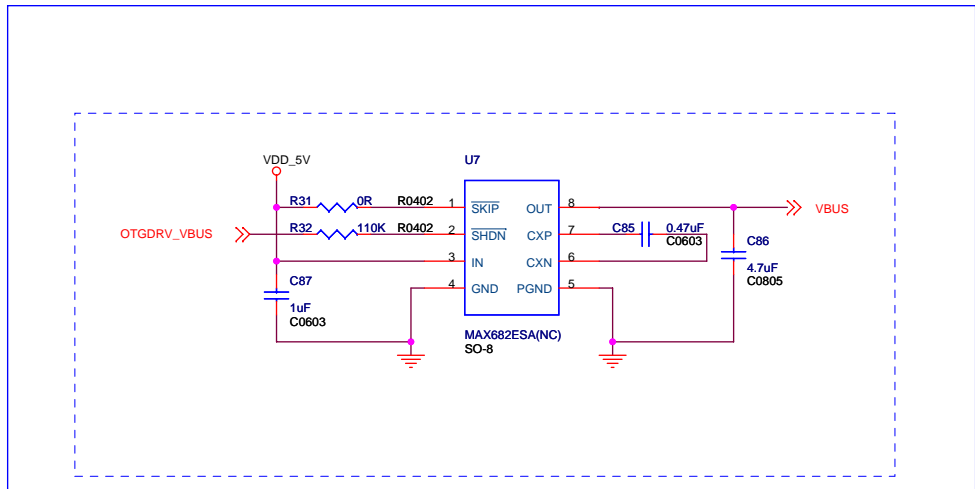
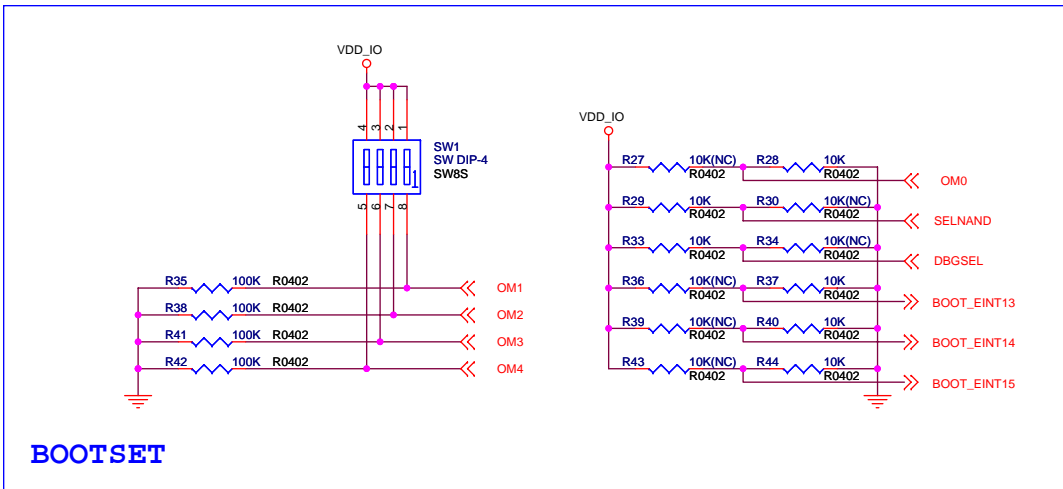
| | | |
|---------------------|--------------------------------|---------------|
| www.armdesigner.com | | |
| Title | IDEA6410 Single Board Computer | |
| Size | Document Number | Rev |
| A3 | <Doc> | V1 |
| Date: | Tuesday, July 28, 2009 | Sheet 3 of 13 |



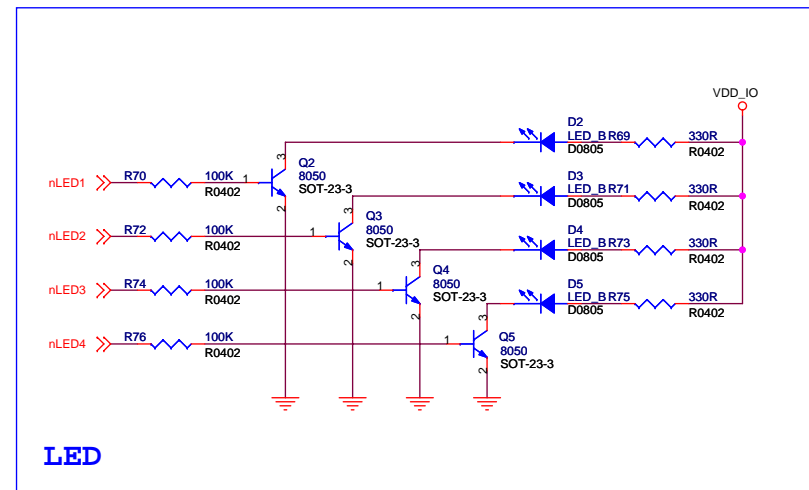
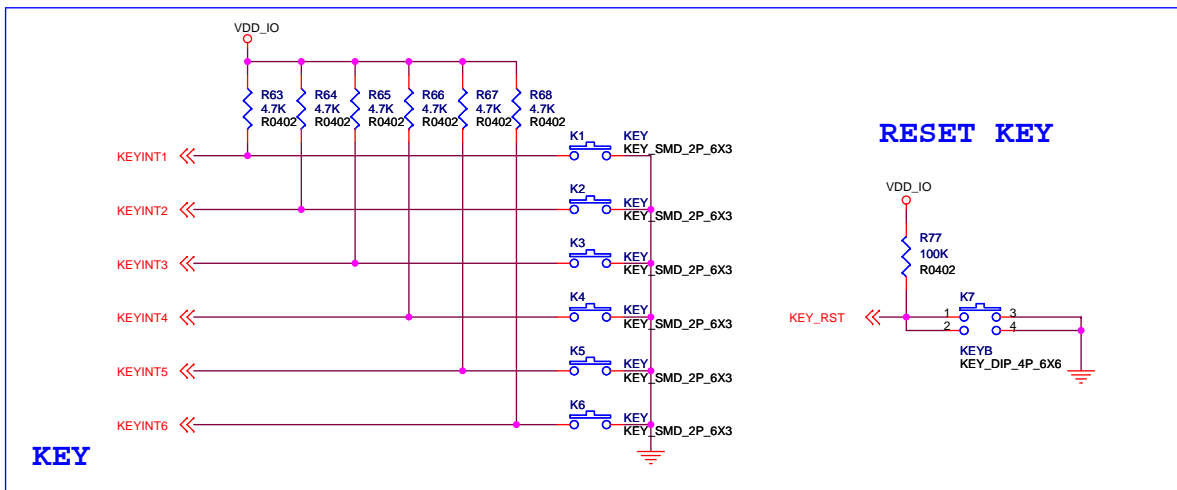
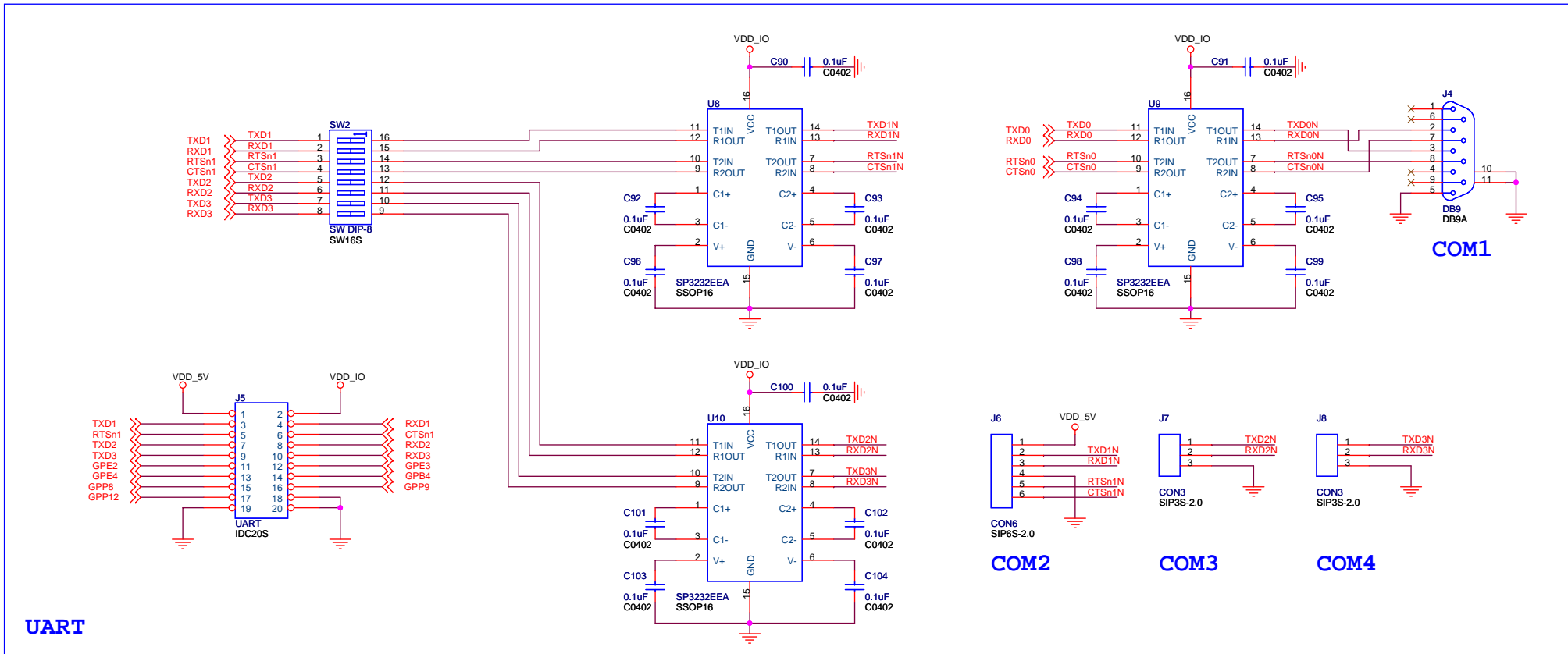
| | | |
|---------------------|--------------------------------|---------------|
| www.armdesigner.com | | |
| Title | IDEA6410 Single Board Computer | |
| Size | Document Number | Rev |
| A3 | <Doc> | V1 |
| Date: | Tuesday, July 28, 2009 | Sheet 4 of 13 |



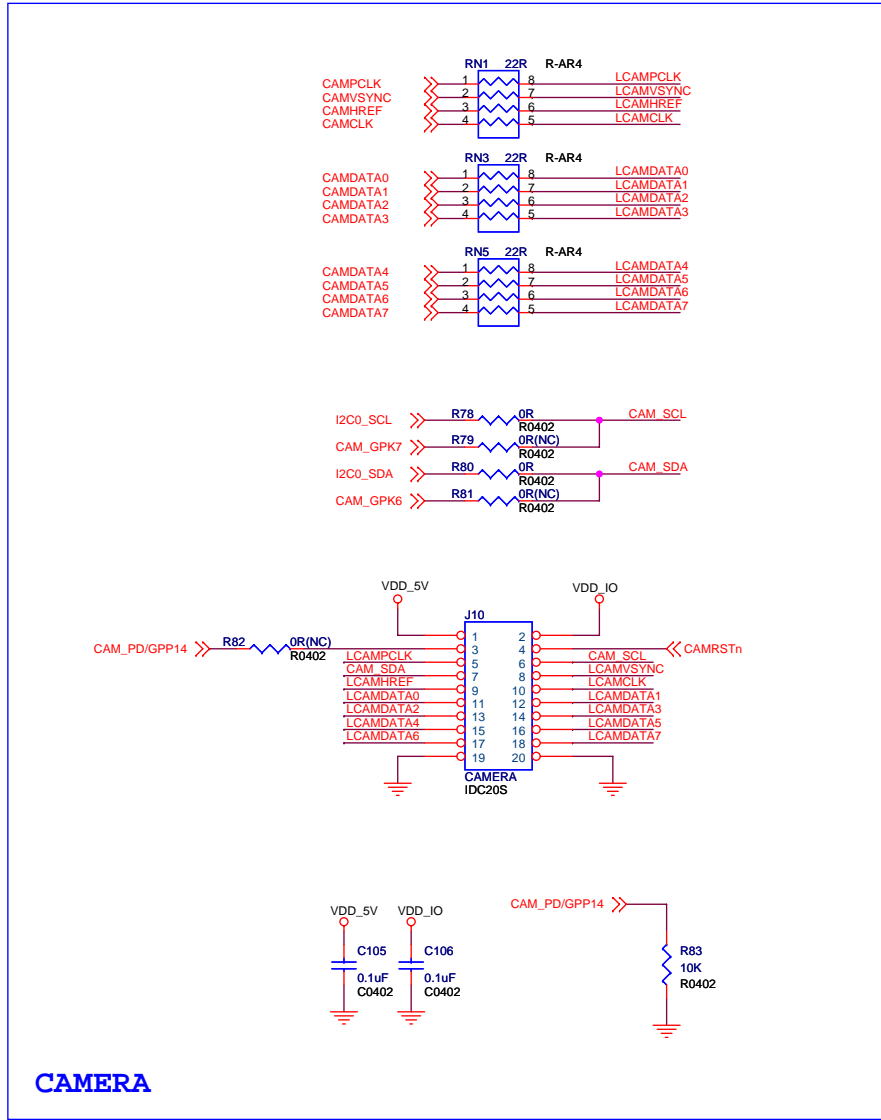
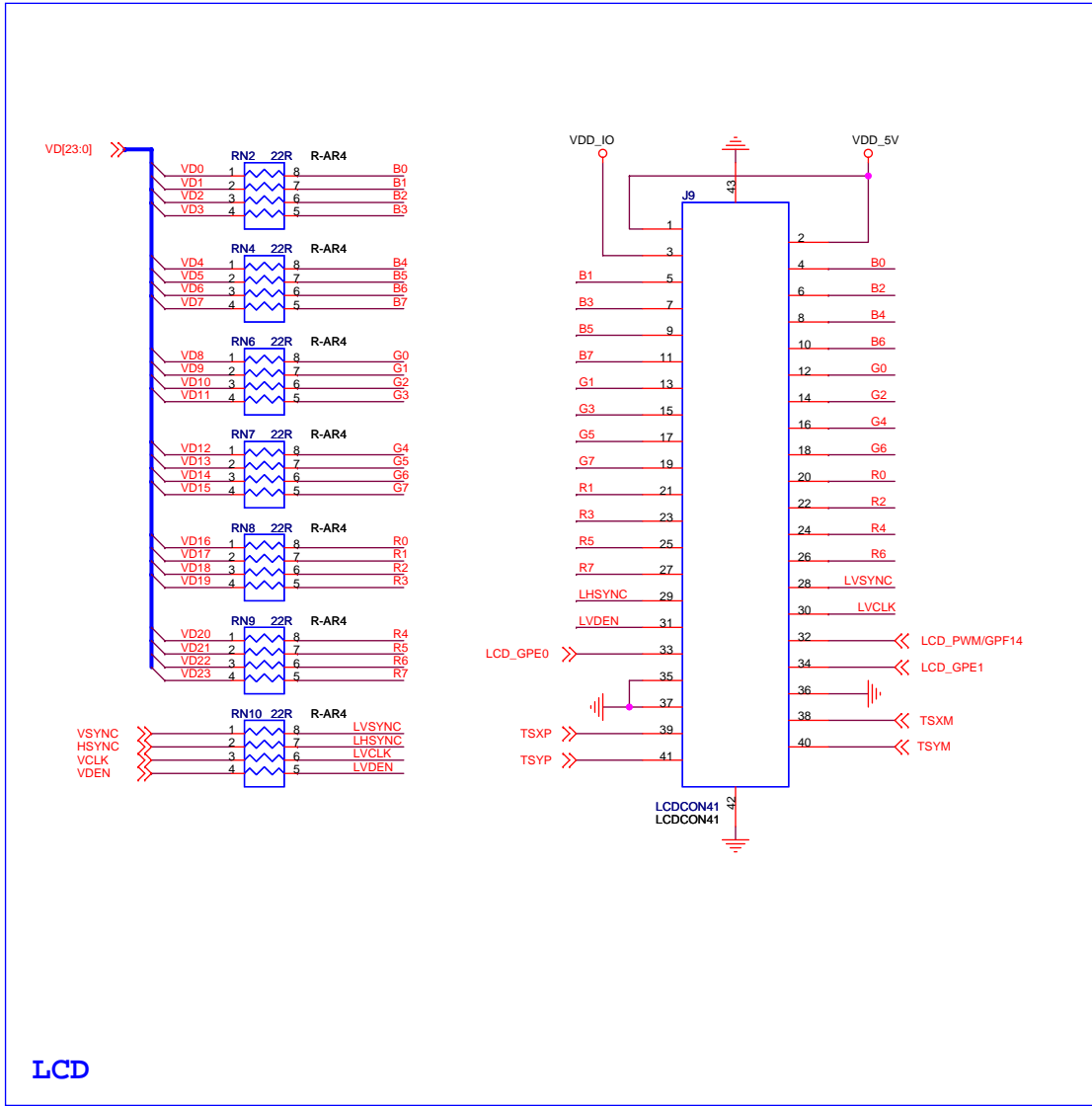


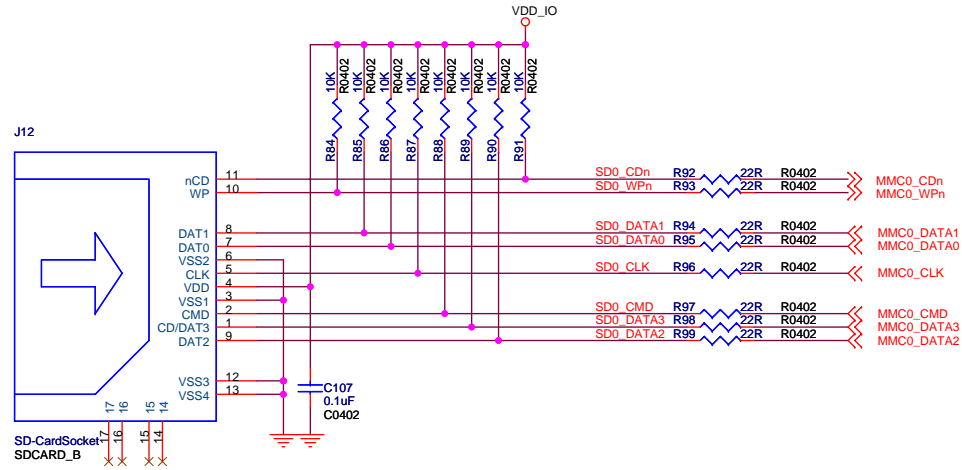


| | | |
|------------------------------|--------------------------------|--------|
| www.armdesigner.com | | |
| Title | IDEA6410 Single Board Computer | |
| Size A3 | Document Number <Doc> | Rev V1 |
| Date: Tuesday, July 28, 2009 | Sheet 7 | of 13 |

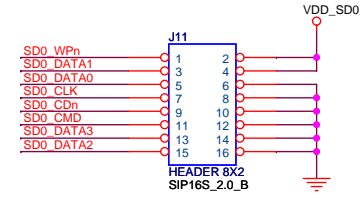


| | | |
|------------------------------|--------------------------------|--------|
| www.armdesigner.com | | |
| Title | IDEA6410 Single Board Computer | |
| Size A3 | Document Number <Doc> | Rev V1 |
| Date: Tuesday, July 28, 2009 | Sheet 8 | of 13 |

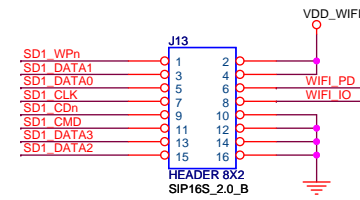




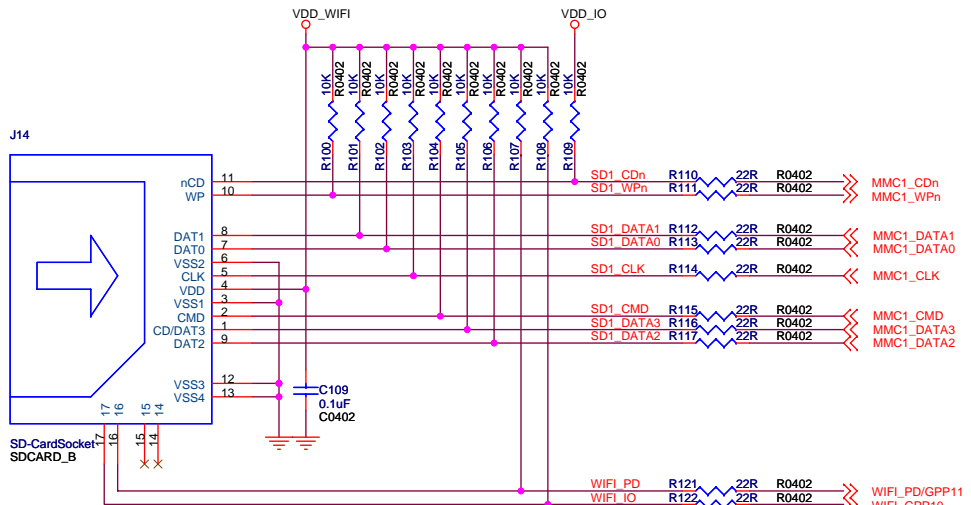
SDCard CH0



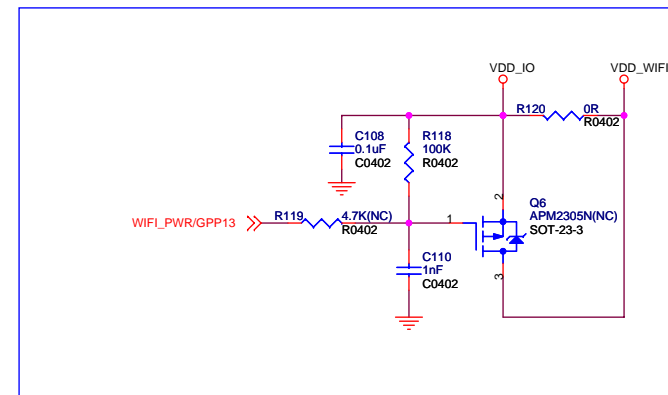
SDIO Module CH0

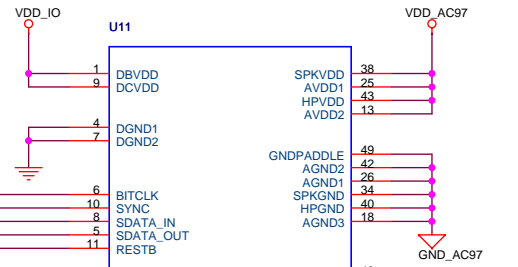
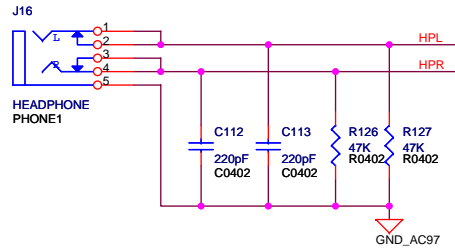
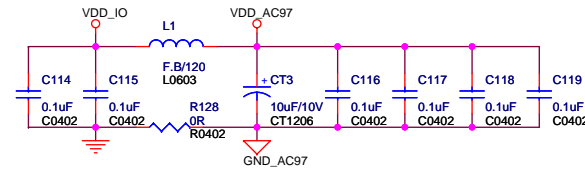
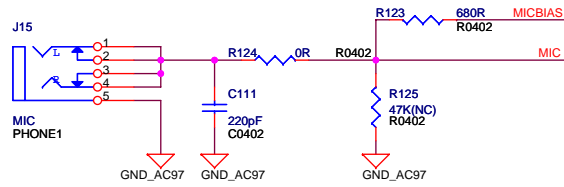


SDIO Module CH1

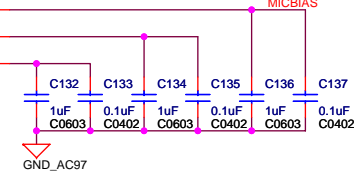
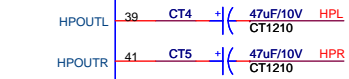
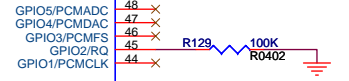
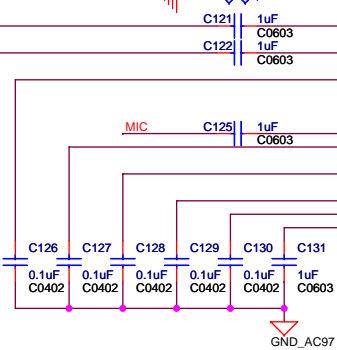
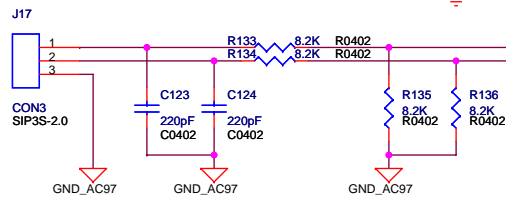
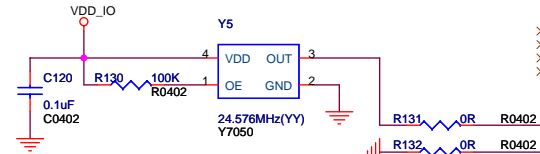


SDCard CH1



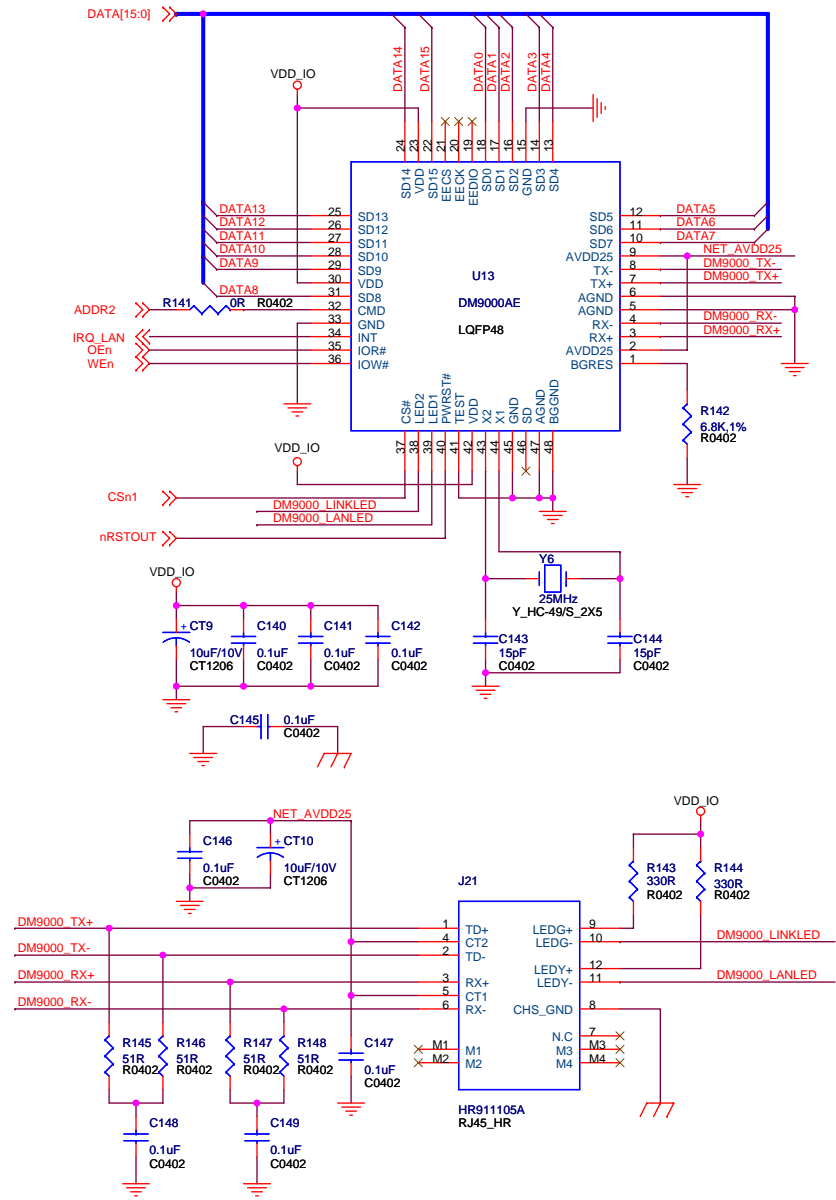


AC97_BITCLK
AC97_SYNC
AC97_SDI
AC97_SDO
AC97_RSTn

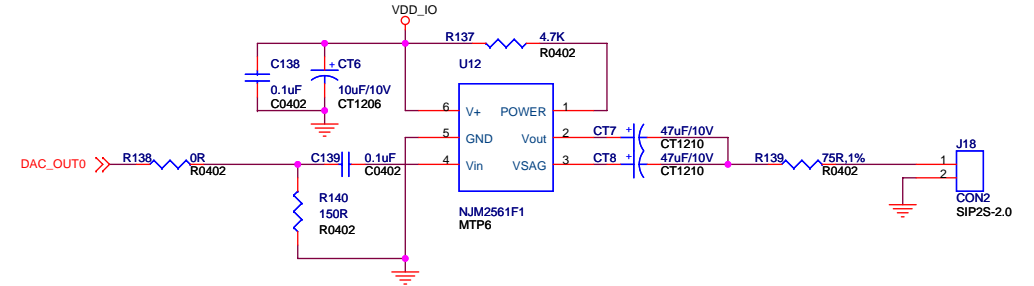


AC97

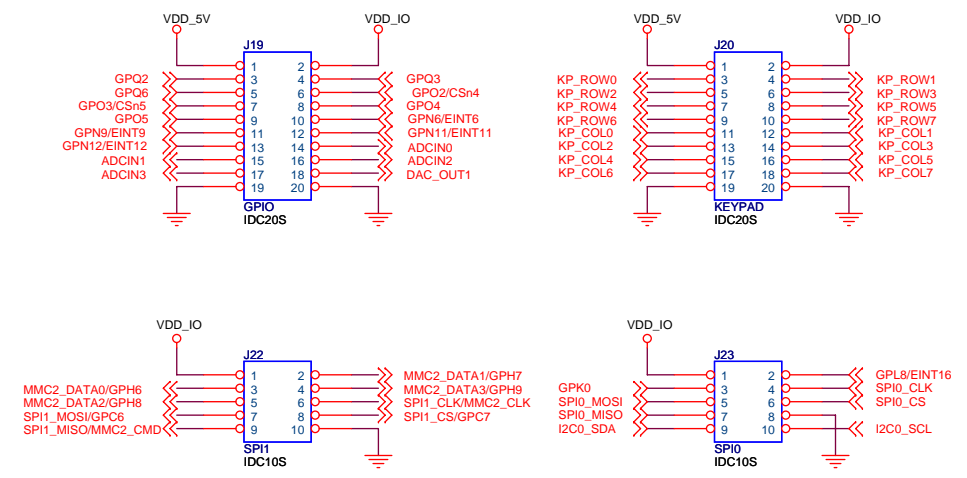
| | | |
|------------------------------|--------------------------------|--------|
| www.armdesigner.com | | |
| Title | IDEA6410 Single Board Computer | |
| Size A3 | Document Number <Doc> | Rev V1 |
| Date: Tuesday, July 28, 2009 | Sheet 11 | of 13 |



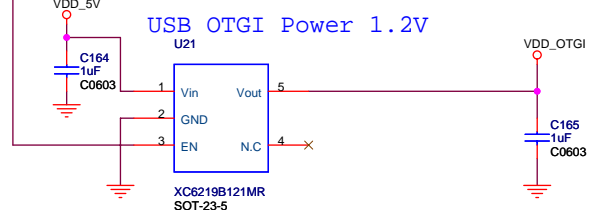
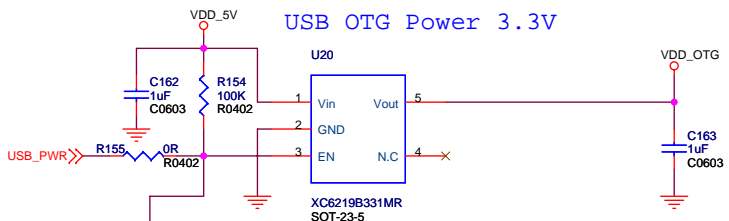
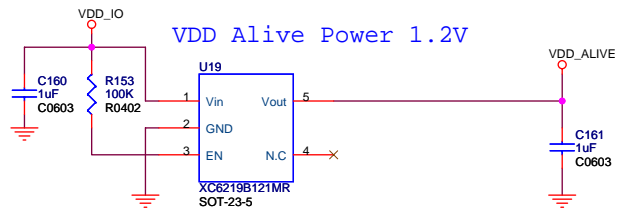
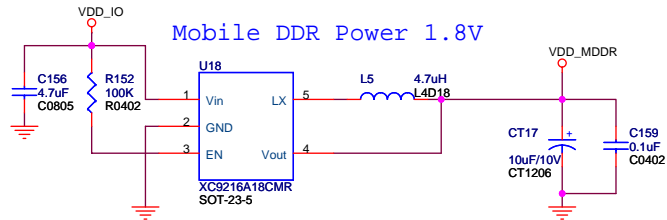
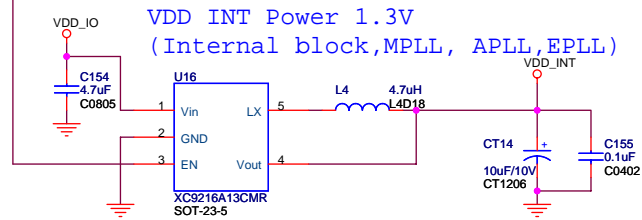
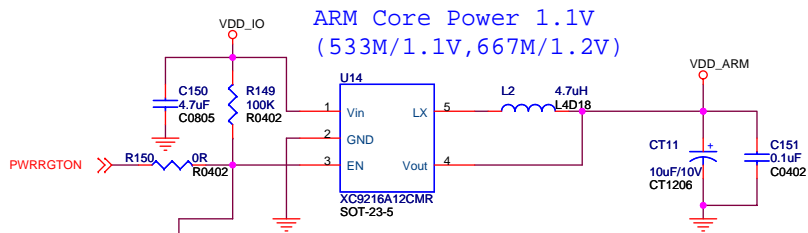
ETHERNET



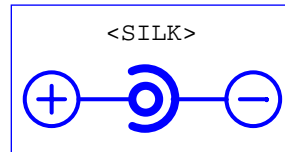
TVOUT



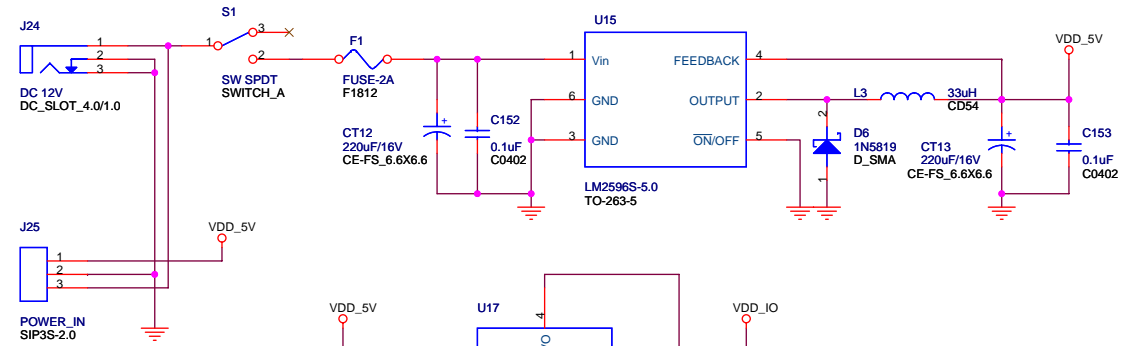
GPIO ADC KEYPAD SPI IIC



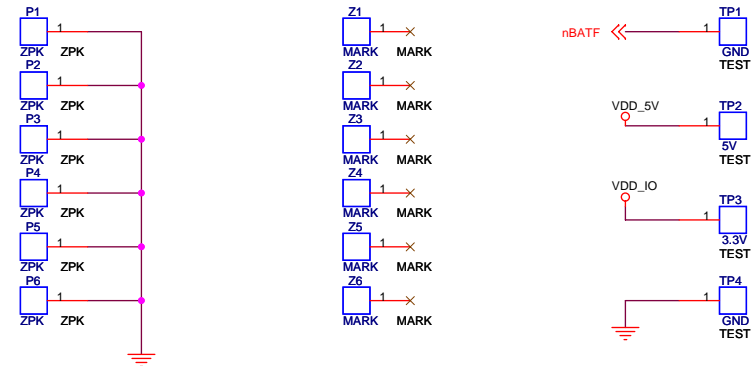
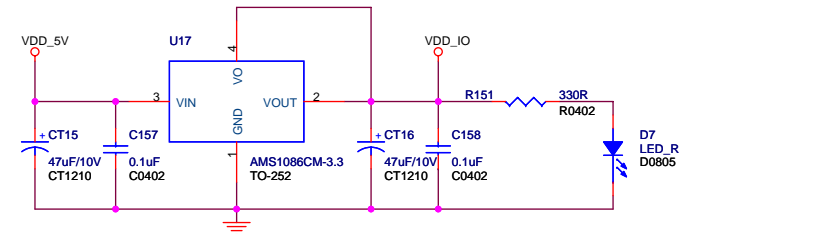
CPU/DDR POWER



Power input voltage: 12V



MAIN POWER



| | | |
|---------------------|--------------------------------|----------------|
| www.armdesigner.com | | |
| Title | IDEA6410 Single Board Computer | |
| Size | Document Number | Rev |
| A3 | <Doc> | V1 |
| Date: | Tuesday, July 28, 2009 | Sheet 13 of 13 |