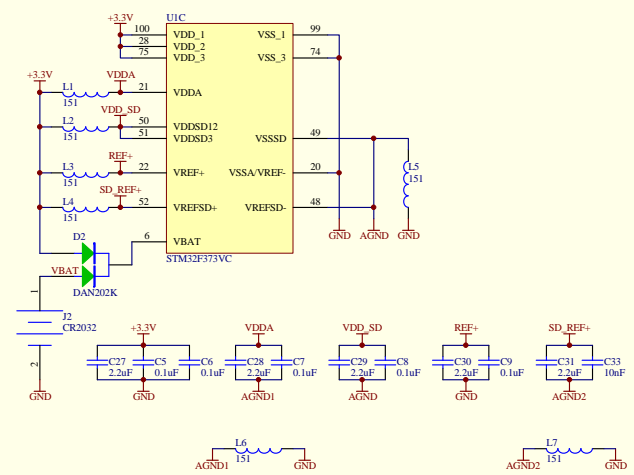
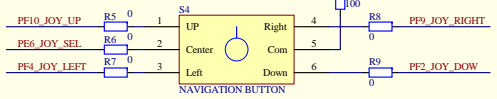
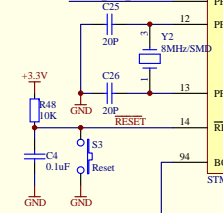


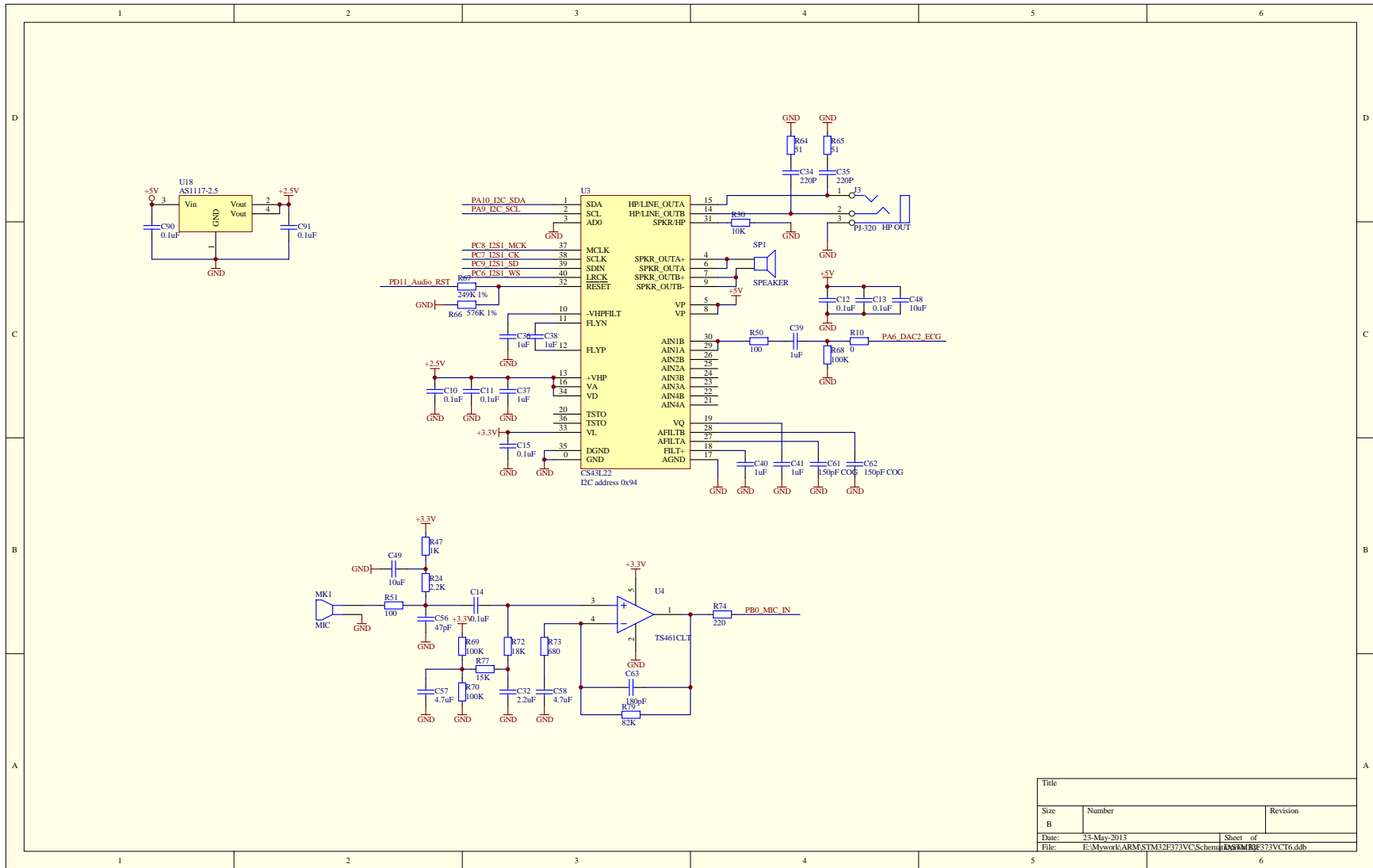
Title		
Size	Number	Revision
B		
Date:	23-May-2013	Sheet of
File:	E:\Mwork\ARM\STM32F373VC_Schem	10300000037373VCT6.ddb

UIB	
PD0 CAN_RX	81
PD1 CAN_TX	82
PD2 LCD_CS	83
PD3 USART2_CTS	84
PD4 USART2_RX	85
PD5 USART2_TX	86
PD6 USART2_RX	87
PD7	88
PD8	89
PD9	90
PD10	91
PD11 Audio_RST	92
PD12	93
PD13	94
PD14	95
PD15	96
PE0	97
PE1	98
PE2 SD_CS	99
PE3 SD_Detect	100
PE4	101
PE5	102
PE6 JOY_SEL	103
PE7 RTD_IN	104
PE8 PRESS_RIP	105
PE9 PRESSURE_IN	106
PE10	107
PE11	108
PE12 ECG	109
PE13	110
PE14 PRESSURE_TEPM	111
PE15	112
PF2 JOY_DOW	113
PF4 JOY_LEFT	114
PF6	115
PF9 JOY_RIGHT	116
PF10 JOY_UP	117
PF11	118
PF12	119
PF13	120
PF14	121
PF15	122

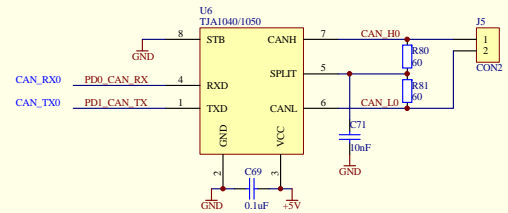
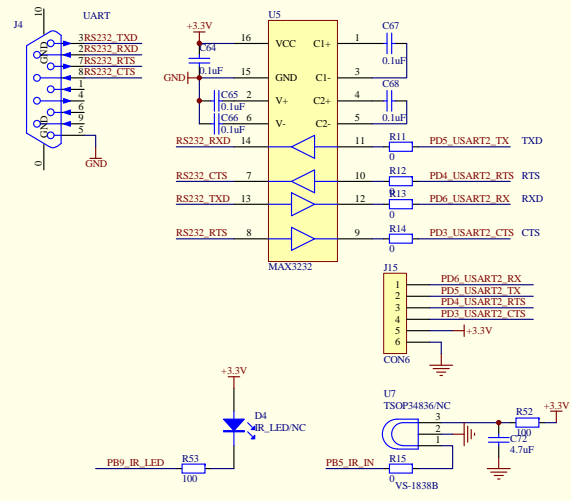
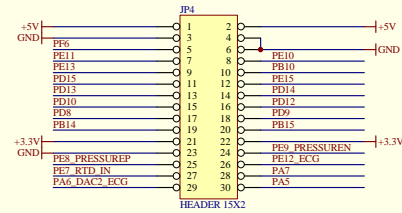
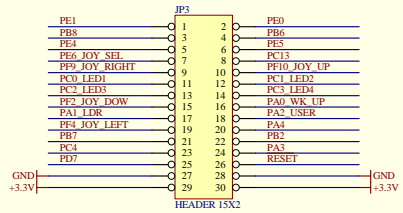
UIC	
PD0 CAN_RX/TIM9_CH4	81
PD1 CAN_TX/TIM9_ETR	82
PD2 LCD_CS	83
PD3 USART2_CTS	84
PD4 USART2_RX	85
PD5 USART2_TX	86
PD6 USART2_RX	87
PD7	88
PD8	89
PD9	90
PD10	91
PD11 Audio_RST	92
PD12	93
PD13	94
PD14	95
PD15	96
PE0	97
PE1	98
PE2 SD_CS	99
PE3 SD_Detect	100
PE4	101
PE5	102
PE6 JOY_SEL	103
PE7 RTD_IN	104
PE8 PRESS_RIP	105
PE9 PRESSURE_IN	106
PE10	107
PE11	108
PE12 ECG	109
PE13	110
PE14 PRESSURE_TEPM	111
PE15	112
PF2 JOY_DOW	113
PF4 JOY_LEFT	114
PF6	115
PF9 JOY_RIGHT	116
PF10 JOY_UP	117
PF11	118
PF12	119
PF13	120
PF14	121
PF15	122



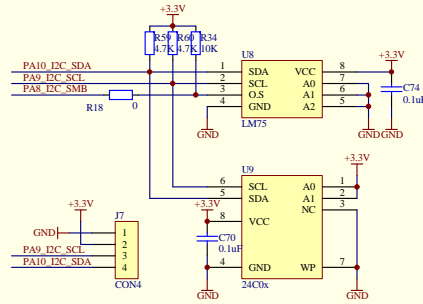
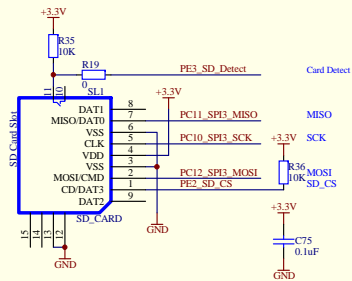
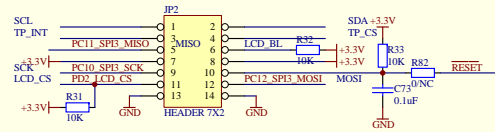
Title		
Size	Number	Revision
B		
Date:	23-May-2013	Sheet of
File:	E:\Mwork\ARM\STM32F373VC_Schematics\STM32F373VC_T6.dtb	



Title		
Size	Number	Revision
B		
Date:	23-May-2013	Sheet of
File:	E:\Mywork\ARM\STM32F373VC\Schem\BSP\F373VCT6.dbb	



Title		
Size	Number	Revision
B		
Date:	23-May-2013	Sheet of
File:	E:\Mywork\ARM\STM32F373VC_Schematics\ARM32F373VC.ddb	



Title		
Size	Number	Revision
B		
Date:	23-May-2013	Sheet of
File:	E:\Mywork\ARM\STM32F373VC_Schem\BOM\BOM_F373VCT6.dtb	