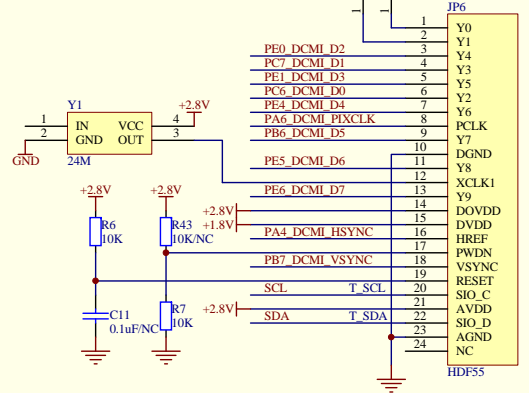
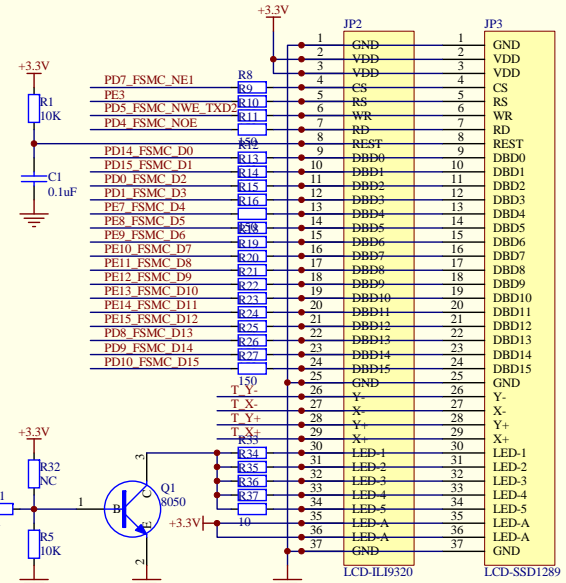
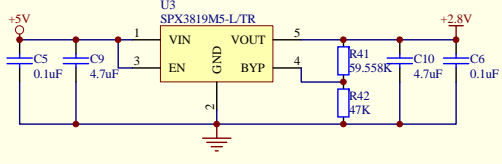
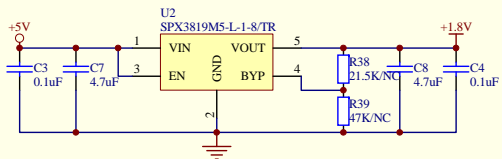


FSMC\_A19\_LCD\_RS  
LCD\_BL

T\_INT



Title		
Size	Number	Revision
B		
Date:	17-Feb-2012	Sheet of
File:	E:\Mywork\ARM\STM32F2x7\Schematic\STM32F2x7_VG.ddb	1