

NanoPi NEO Air

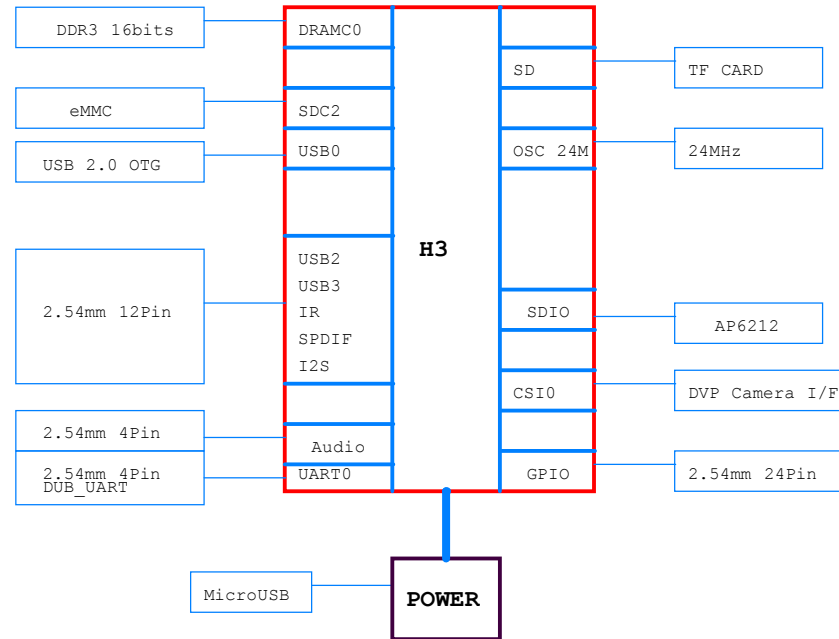
Revision

1608 , First Release
2017/05/18 rename net PWM1/GPIOA6 to GPIOA6
1708,Change the TF Card; Added the 2.54mm Audio header

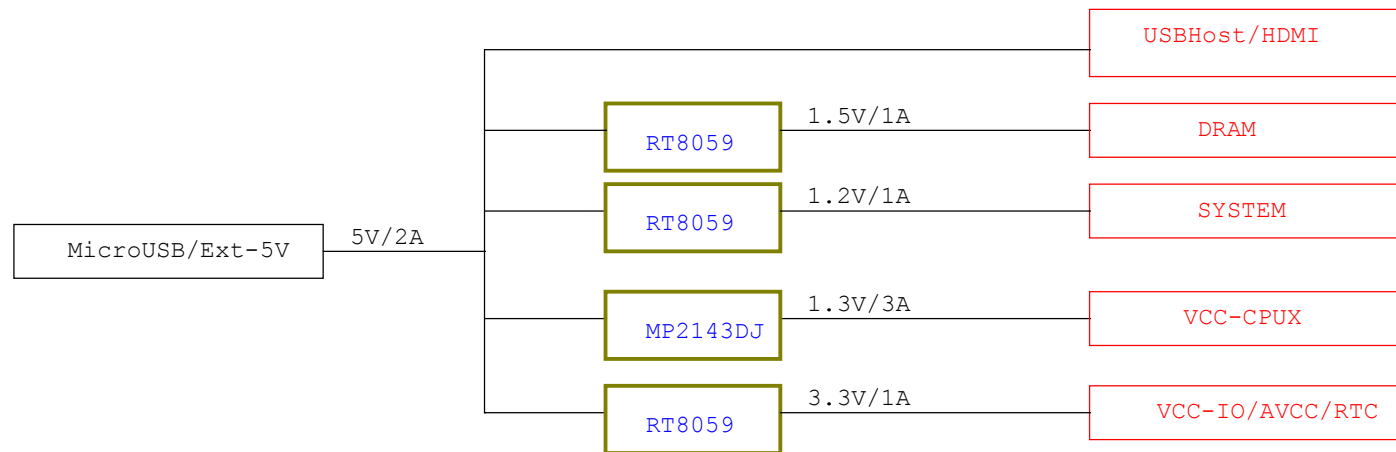


NanoPi NEO Air		
Size A3	Document Number 01:Title	Rev V1.1 1708
Date: Friday, October 13, 2017	Sheet 1	of 13

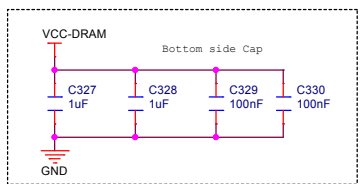
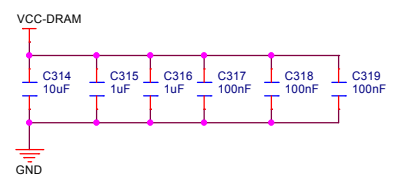
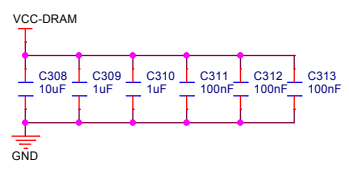
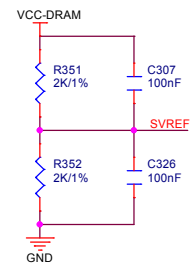
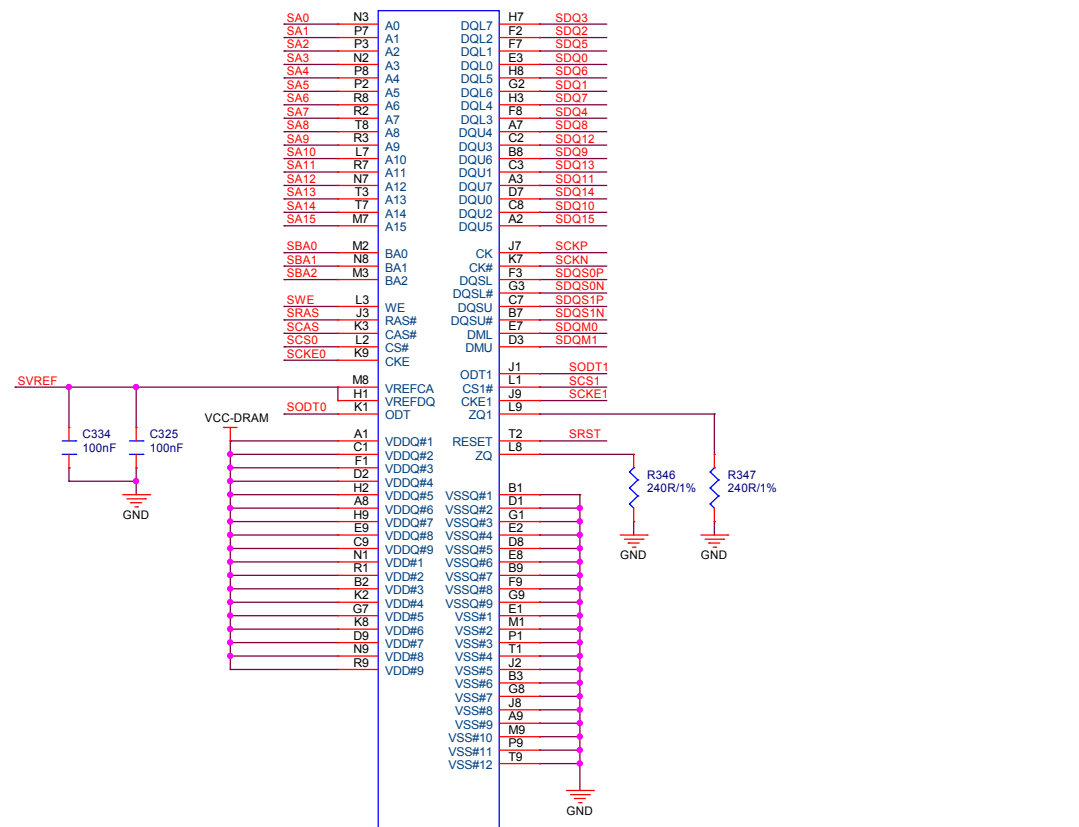
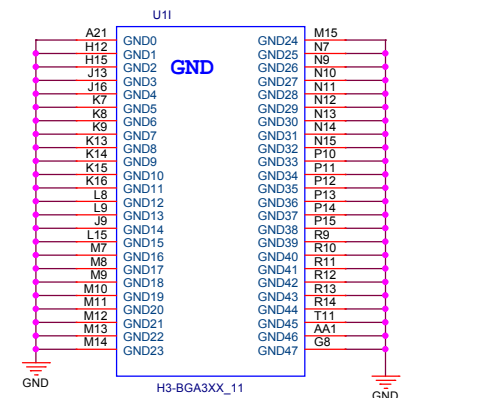
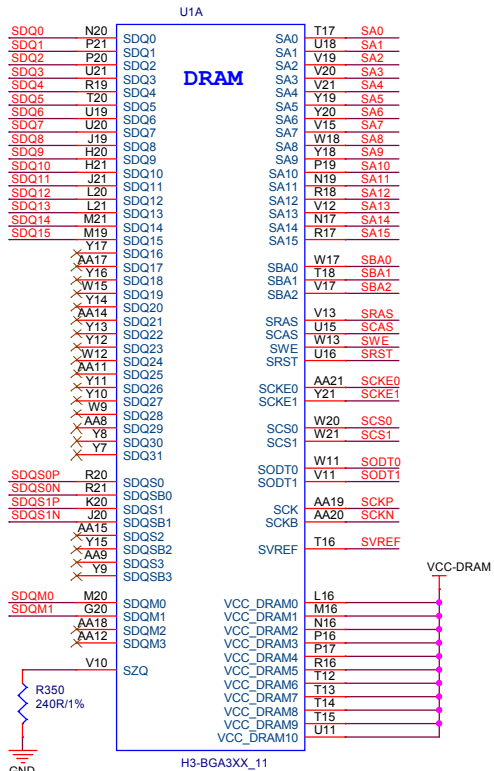
BLOCK



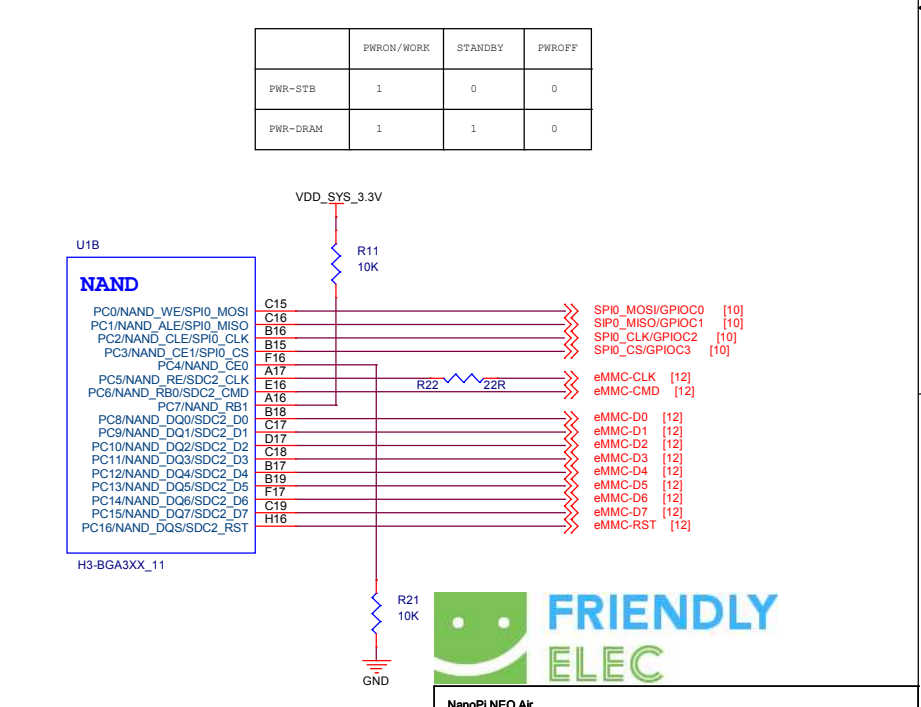
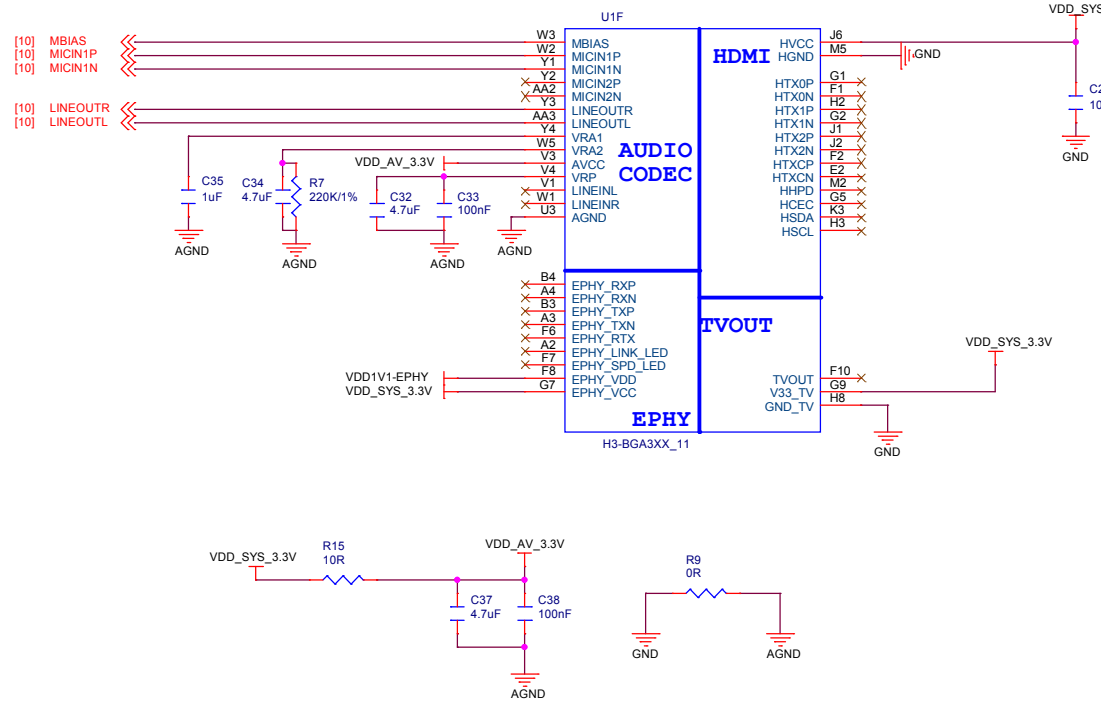
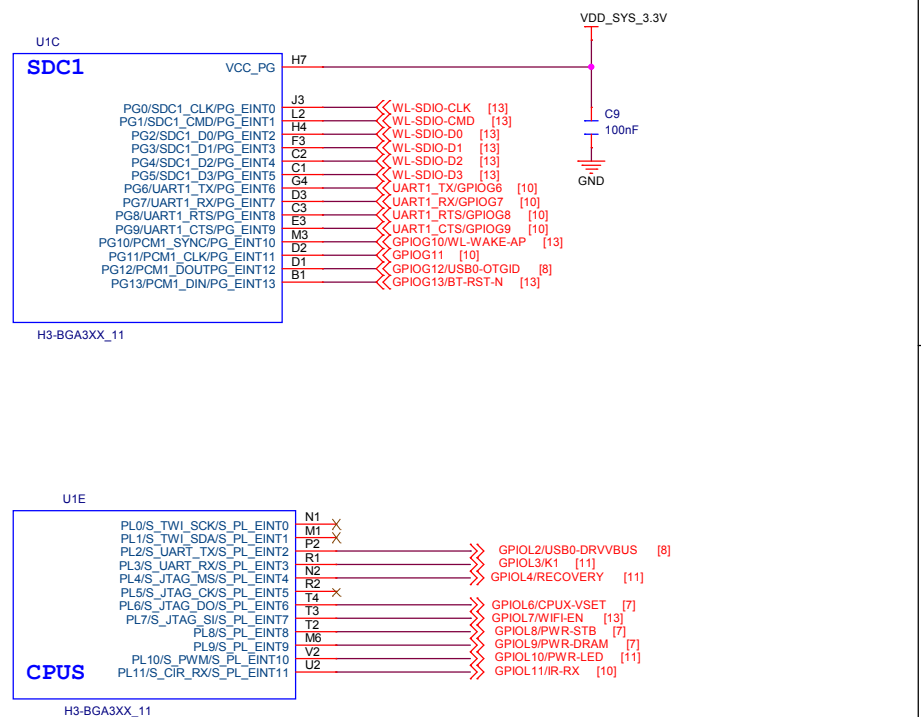
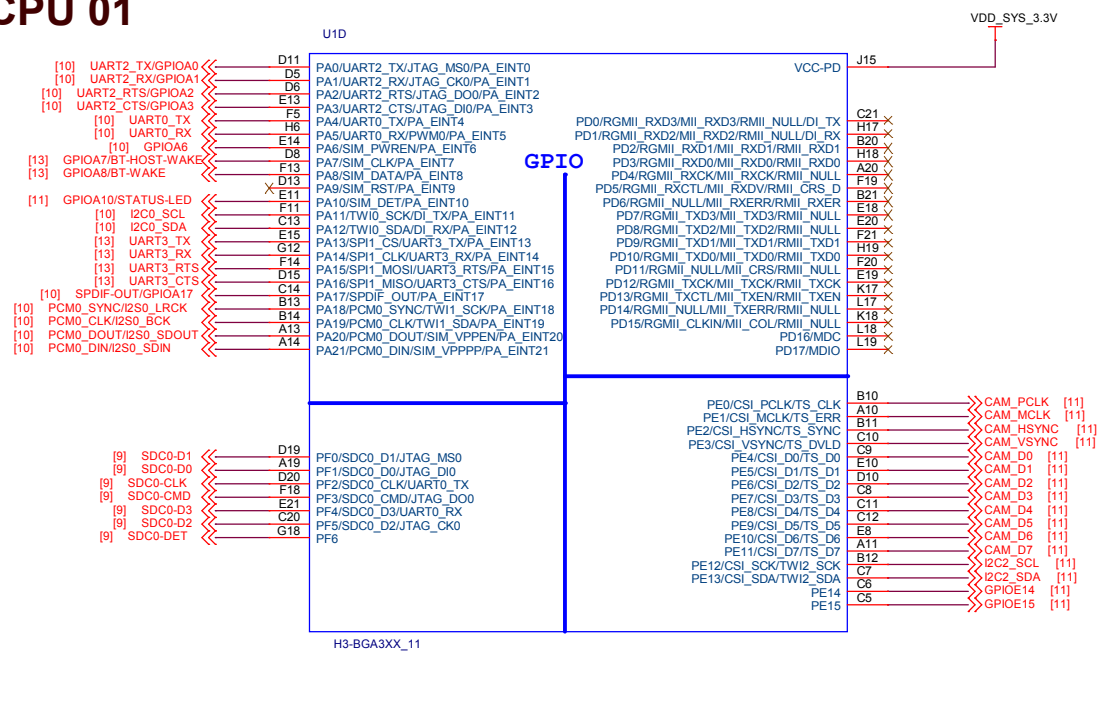
POWER TREE



DDR3 16x1



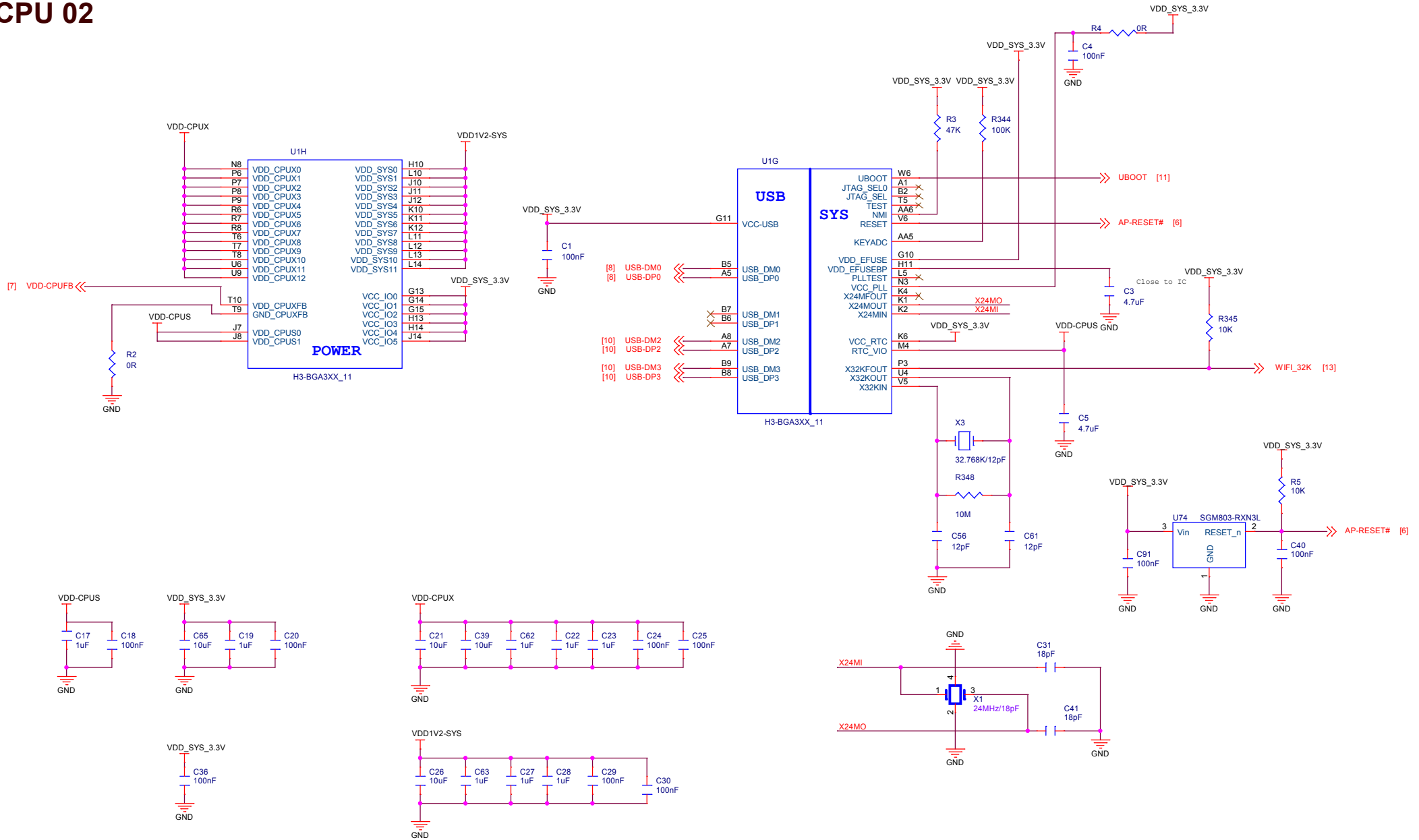
CPU 01



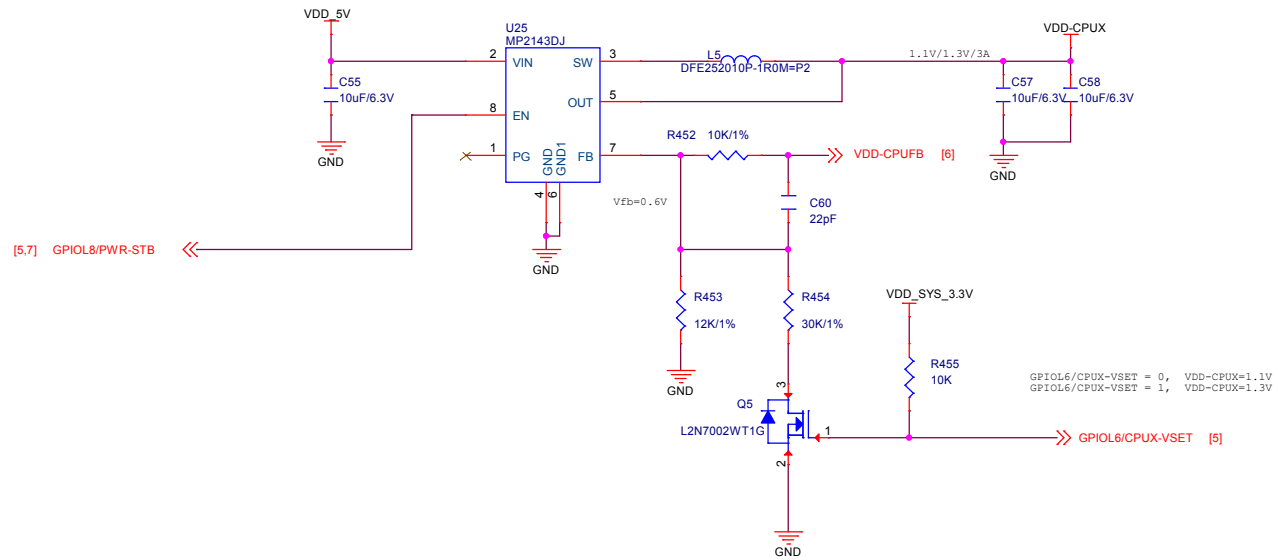
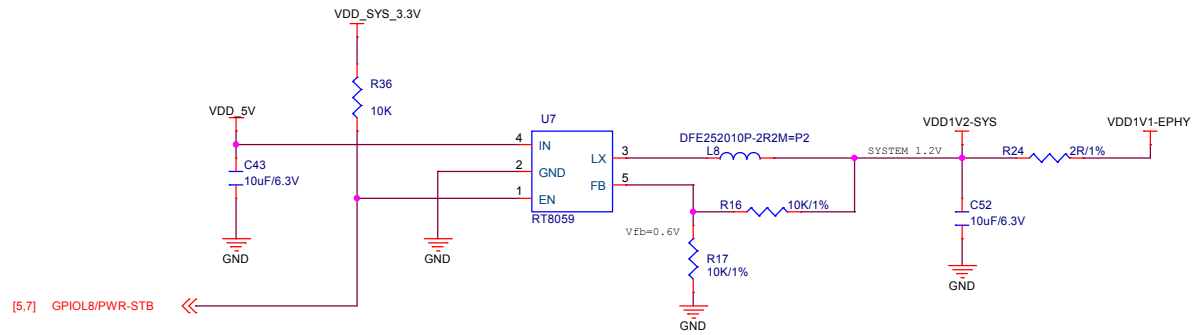
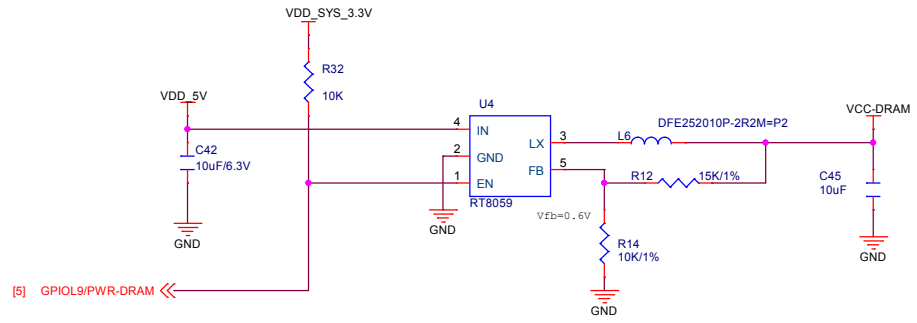
	PWRON/WORK	STANDBY	PWROFF
PWR-STB	1	0	0
PWR-DRAM	1	1	0



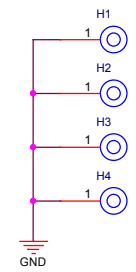
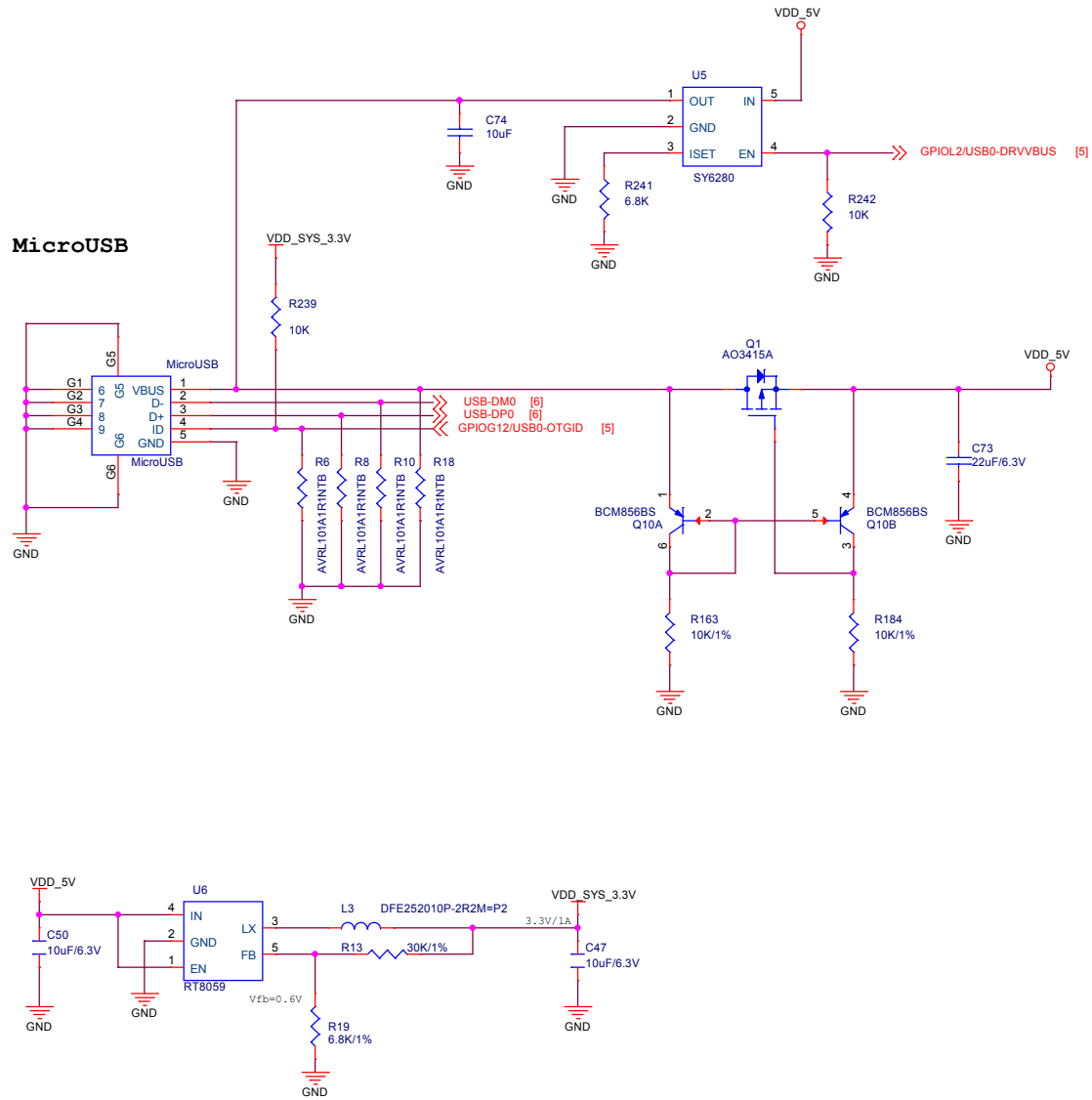
CPU 02



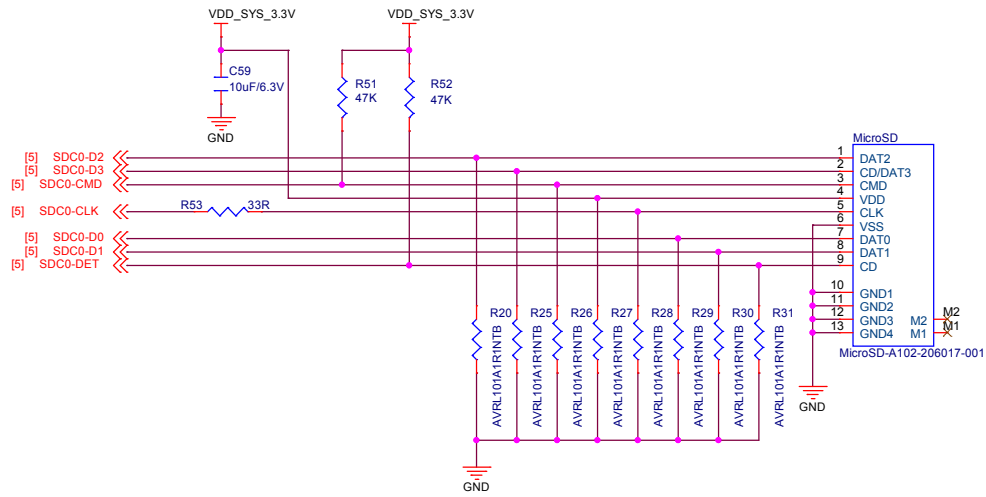
POWER 01



POWER 02

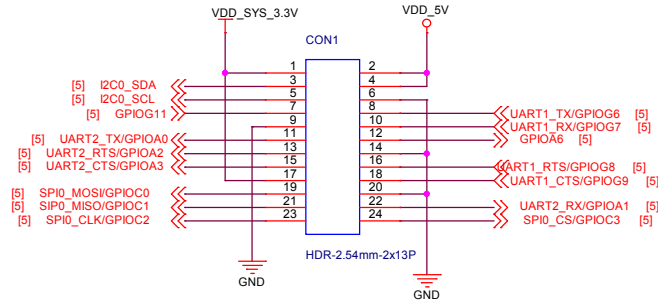


MicroSD

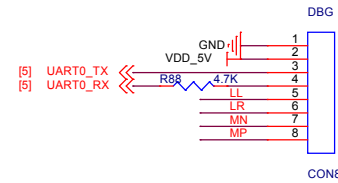
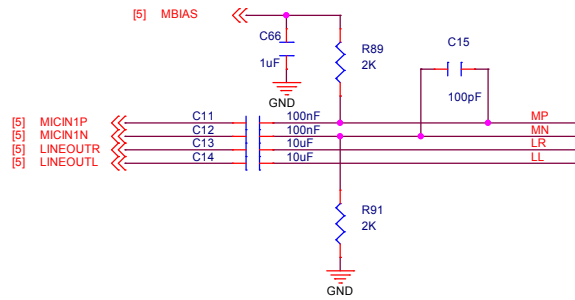
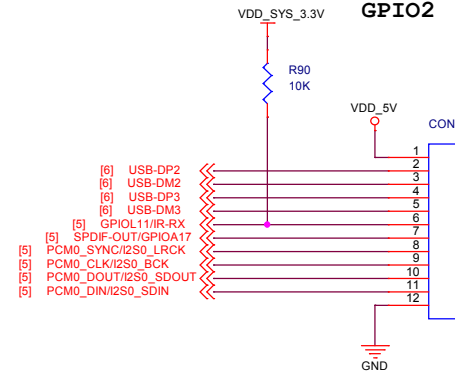


GPIO

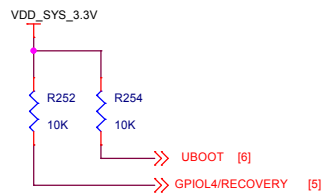
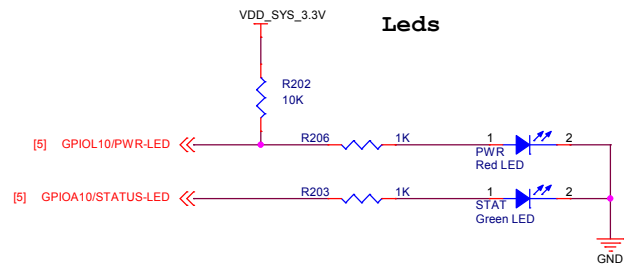
GPIO1



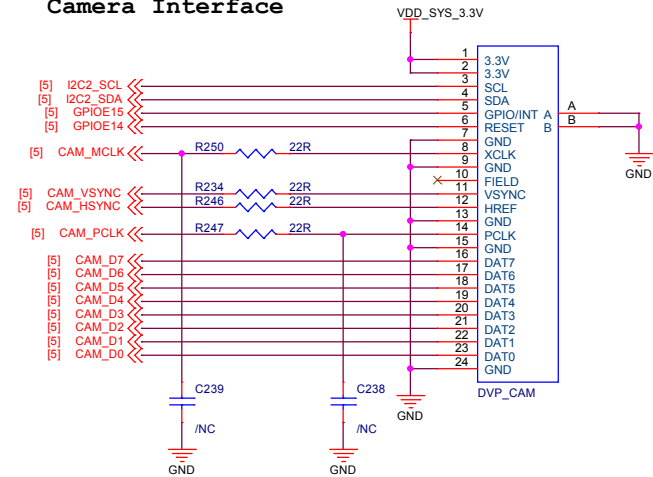
GPIO2



LEDs, LAN, Keys



Camera Interface



eMMC

