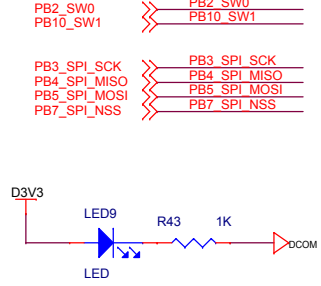
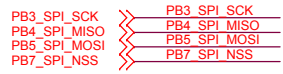
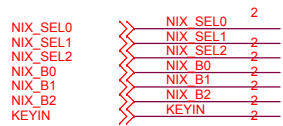
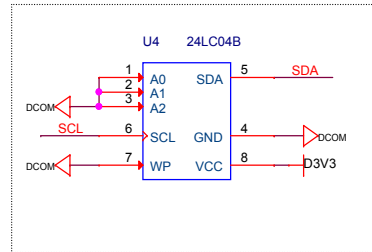
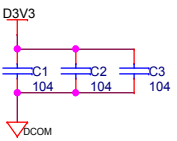


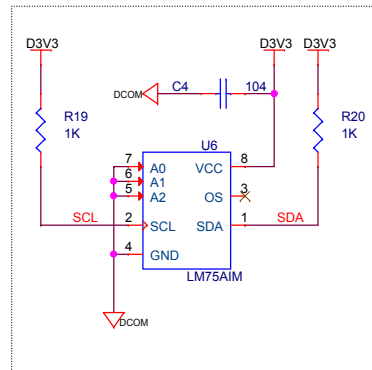
Title		
iCore EX-01		
Size	Document Number	Rev
B	<Doc>	<RevCode>
Date:	Wednesday, August 22, 2012	Sheet 2 of 5



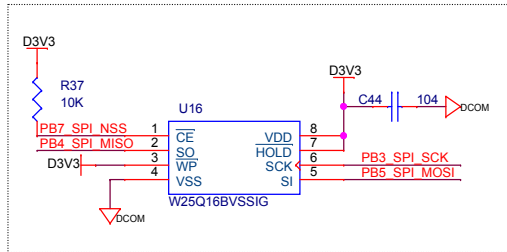
EEPROM



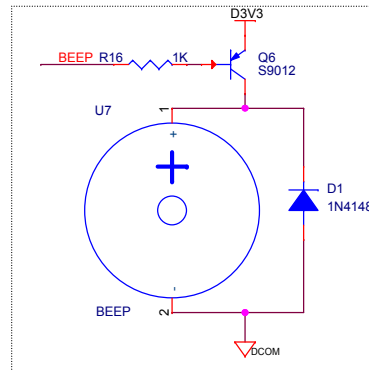
TEMPERATURE SENSE



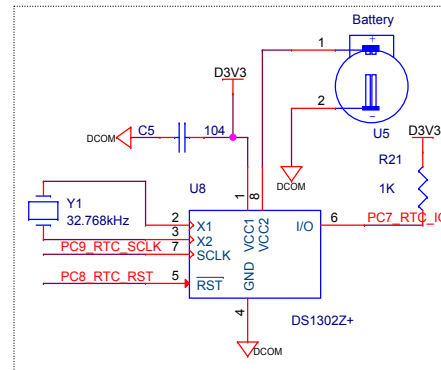
W25Q16



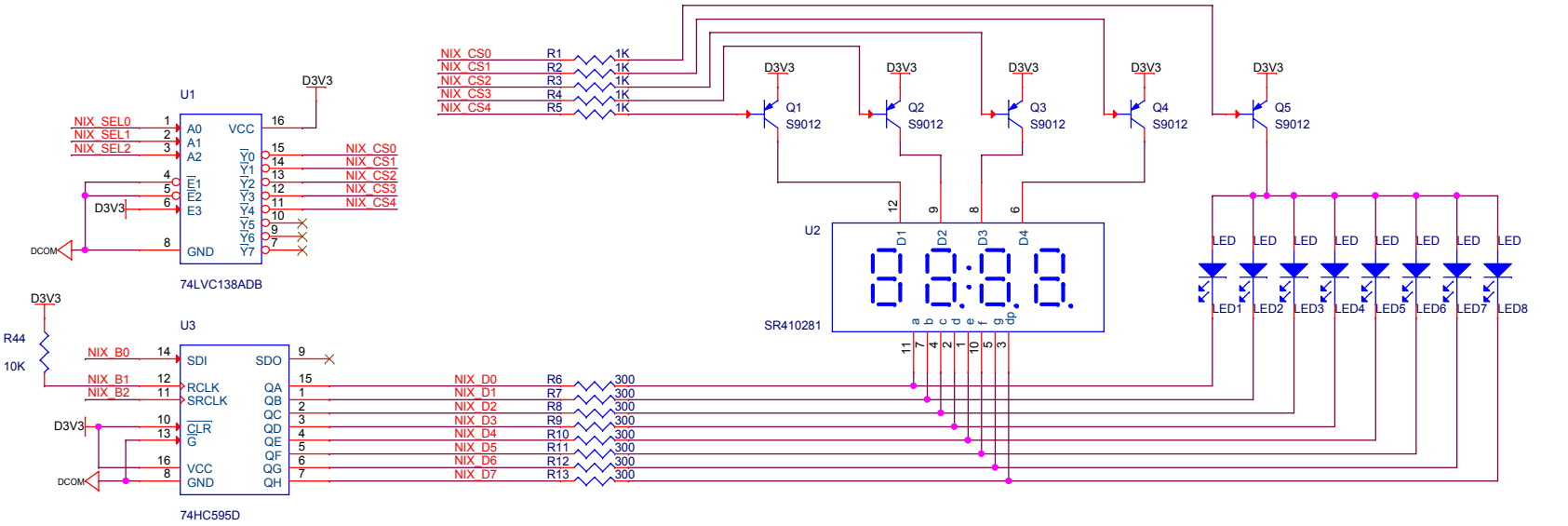
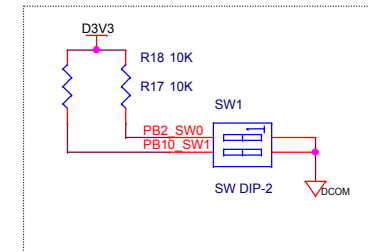
BUZZER



RTC

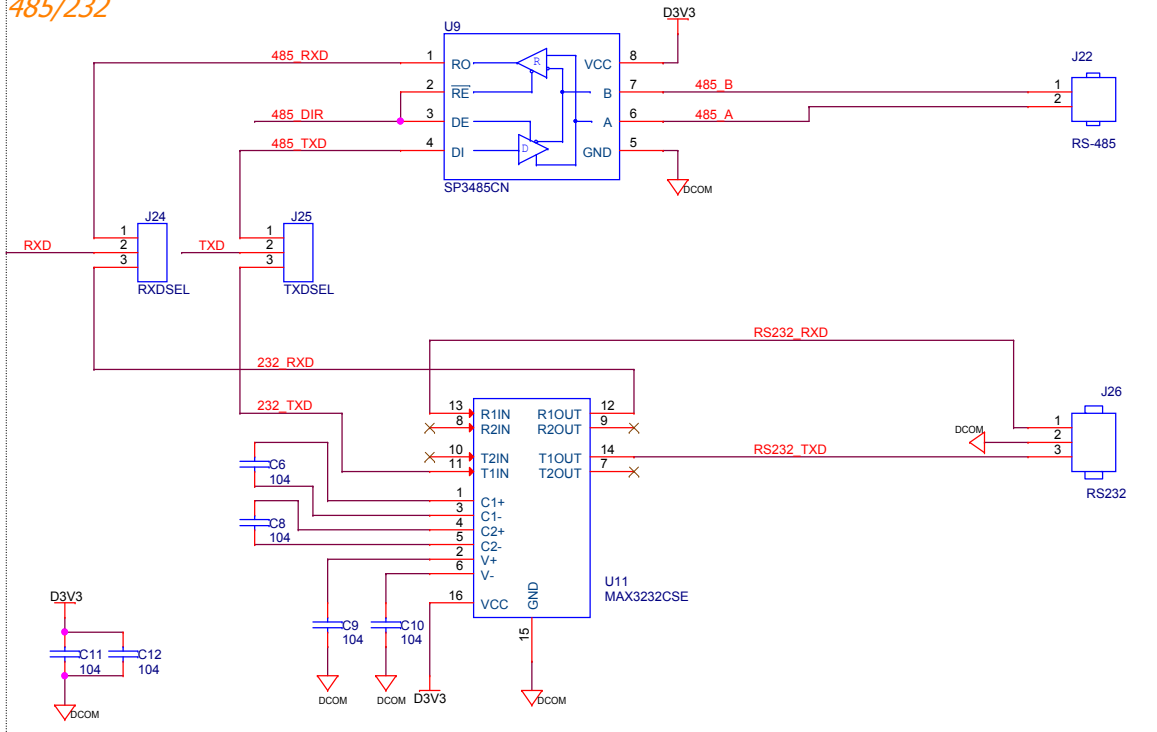


SW

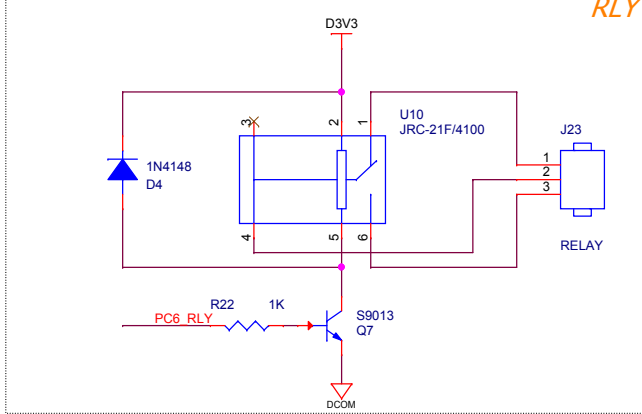


Title		
iCore EX-01		
Size	Document Number	Rev
B	<Doc>	0
Date:	Wednesday, August 22, 2012	Sheet 3 of 5

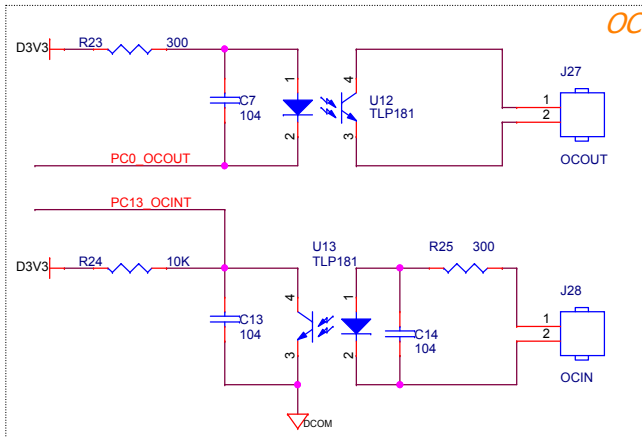
485/232



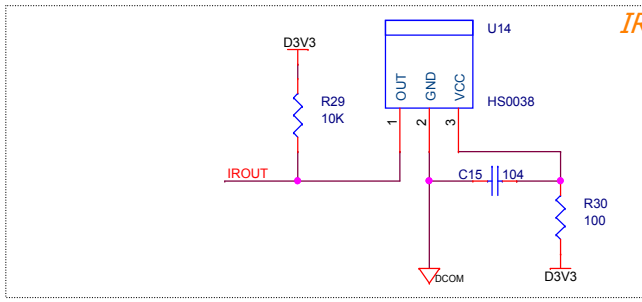
RLY



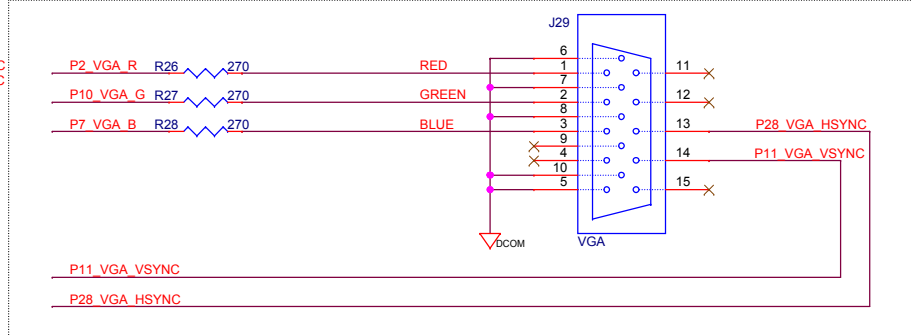
OC



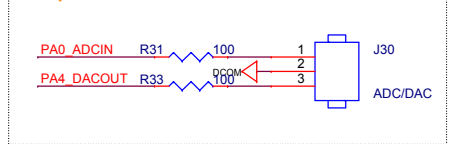
IR



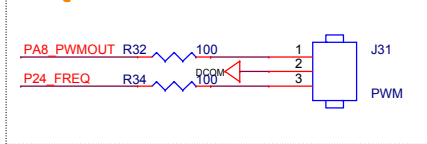
VGA



ADC/DAC

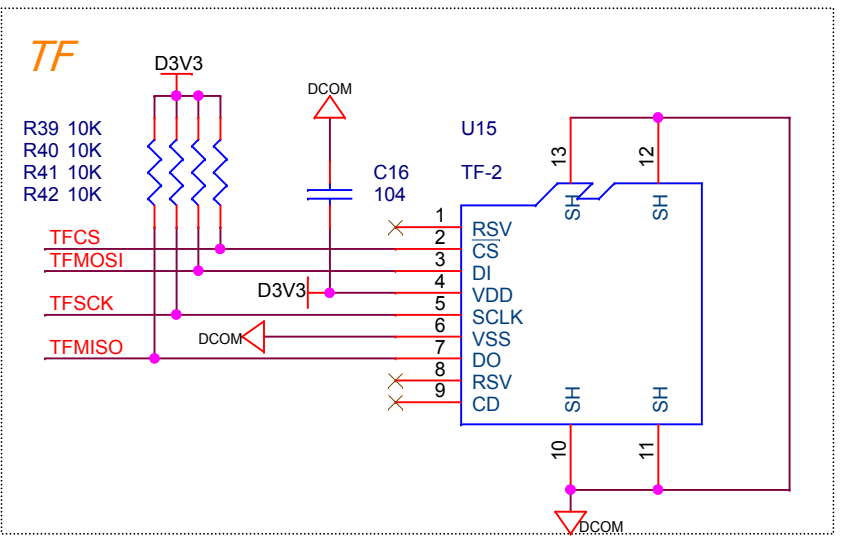
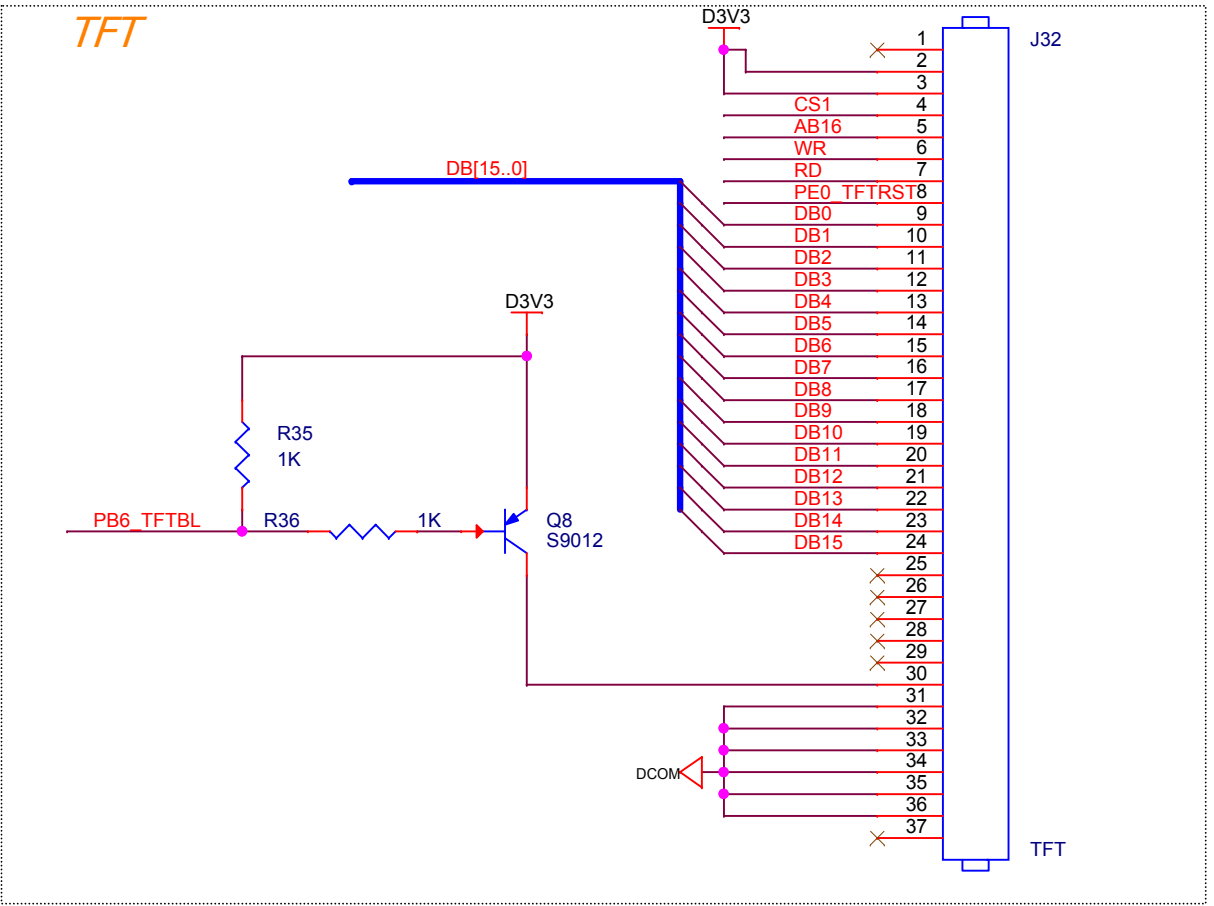


FREQ



- P2_VGA_R >> P2_VGA_R
- P10_VGA_G >> P10_VGA_G
- P7_VGA_B >> P24_VGA_B
- P28_VGA_HSYNC >> P28_VGA_HSYNC
- P11_VGA_VSYNC >> P11_VGA_VSYNC
- PA0_ADCIN >> PA0_ADCIN
- PA4_DACOUT >> PA4_DACOUT
- PA8_PWMOUT >> PA8_PWMOUT
- P24_FREQ >> P144_FREQ
- PC0_OCOUT >> PC0_OCOUT
- PC13_OCINT >> PC13_OCINT
- IROUT >> IROUT_2
- PC6_RLY >> PC6_RLY
- RXD >> RXD_2
- TXD >> TXD_2
- 485_DIR >> 485_DIR_2

Title			iCore EX-01		
Size	Document Number			Rev	
B	<Doc>			<RevCode>	
Date:	Wednesday, August 22, 2012	Sheet	4	of	5



Title		
iCore EX-01		
Size	Document Number	Rev
A	<Doc>	0
Date:	Wednesday, August 22, 2012	Sheet 5 of 5