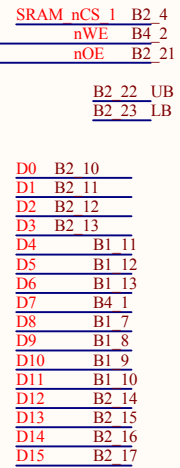
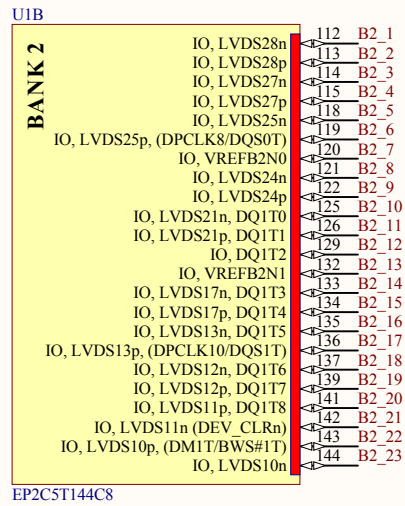
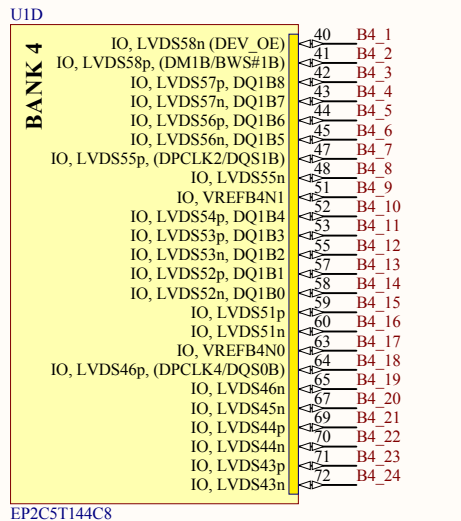
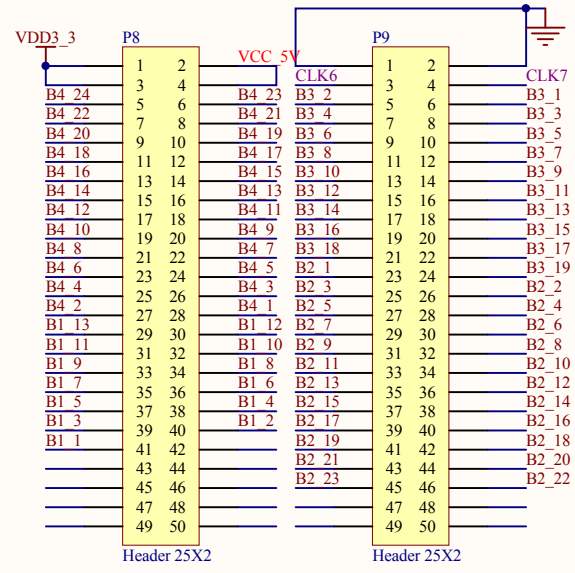
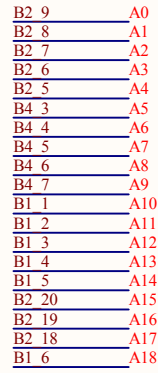
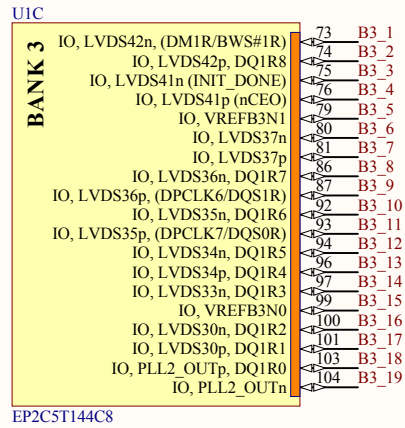
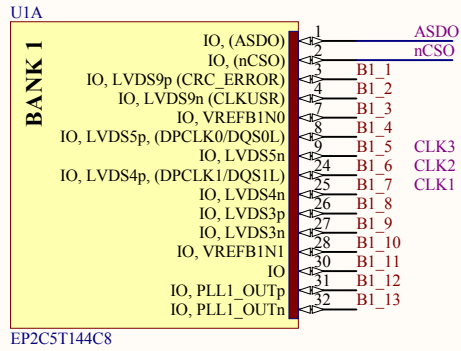


\* All copyrights reserved by amy studio  
 \* amy studio - - make development easier  
 \* web <http://www.amy-studio.com>  
 \* taobao <http://amy-studio.taobao.com>  
 \* email [amy-studio@qq.com](mailto:amy-studio@qq.com)

Title			
<b>EP2C5T144C8 FPGA Board</b>			
Size	Number	Revision	
A4		<b>Configure V1.0</b>	
Date:	2010-1-29	Sheet of	
File:	E:\ \config.SchDoc	Drawn By:	zl0801



\* All copyrights reserved by amy studio  
 \* amy studio -- make development easier  
 \* web <http://www.amy-studio.com>  
 \* taobao <http://amy-studio.taobao.com>  
 \* email [amy-studio@qq.com](mailto:amy-studio@qq.com)

Title			
<b>EP2C5T144C8 FPGA Board</b>			
Size	Number	Core	Revision
A4			V1.0
Date:	2010-1-29	Sheet of	
File:	E:\ \.core.SchDoc	Drawn By:	zl0801

1

2

3

4

A

A

B

B

C

C

D

D

U\_config  
config.SchDoc



U\_core  
core.SchDoc



U\_power  
power.SchDoc



U\_MODULES  
MODULES.SchDoc



U\_memory  
memory.SchDoc



\* All copyrights reserved by amy studio  
 \* amy studio - - make development easier  
 \* web <http://www.amy-studio.com>  
 \* taobao <http://amy-studio.taobao.com>  
 \* email [amy-studio@qq.com](mailto:amy-studio@qq.com)

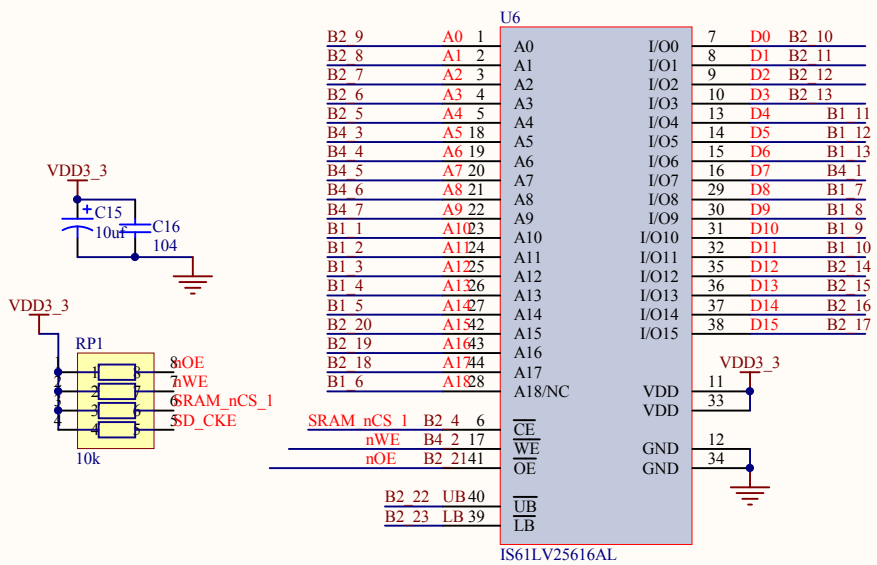
Title			<b>EP2C5T144C8 FPGA Board</b>		
Size	Number	Revision			
A4		<b>Up</b>		<b>V1.0</b>	
Date:	2010-1-29	Sheet of			
File:	E:\ \.ep2c5.SchDoc	Drawn By:	<b>zl0801</b>		

1

2

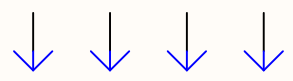
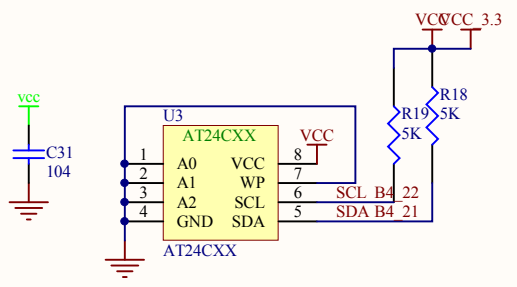
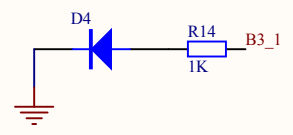
3

4



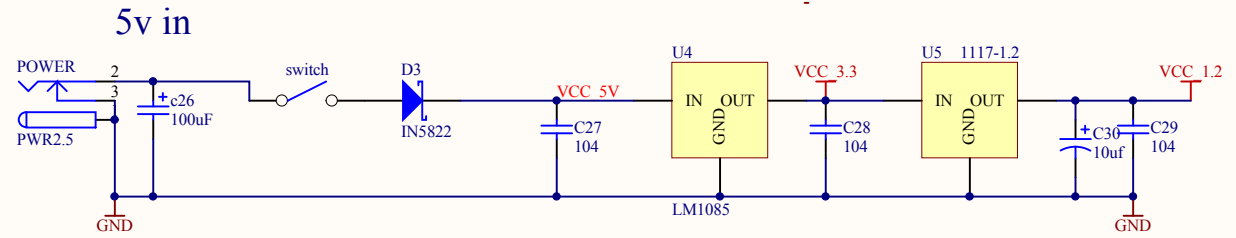
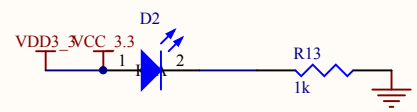
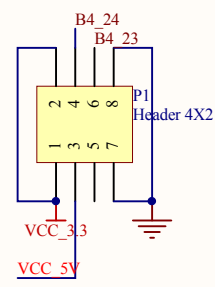
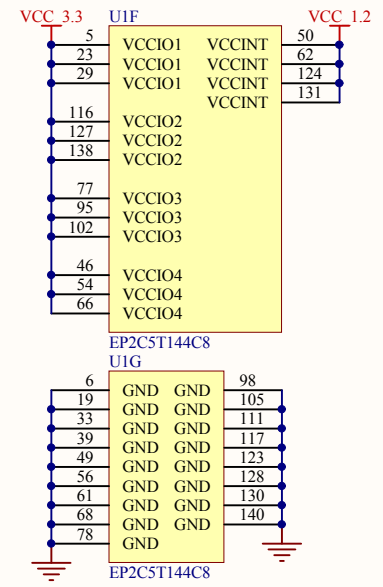
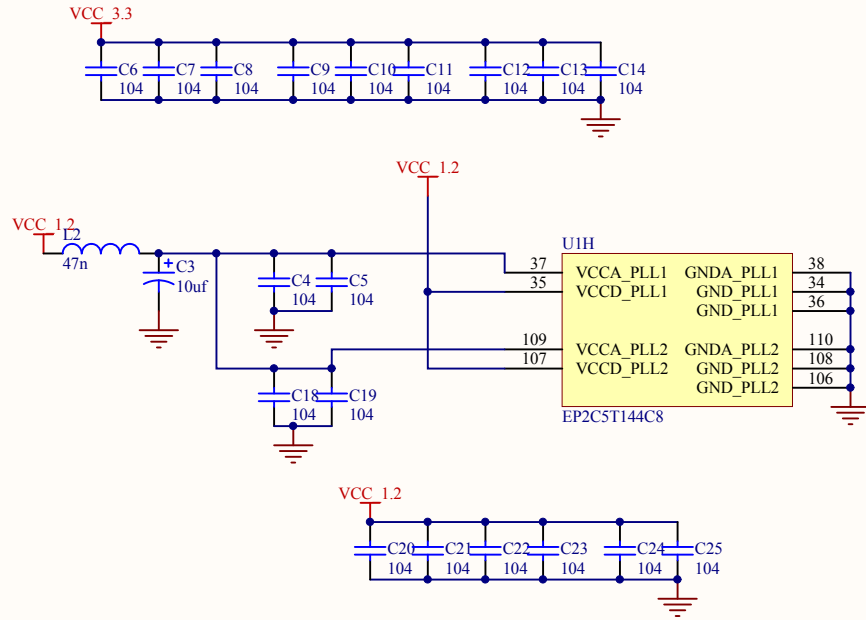
\* All copyrights reserved by amy studio  
 \* amy studio - - make development easier  
 \* web <http://www.amy-studio.com>  
 \* taobao <http://amy-studio.taobao.com>  
 \* email [amy-studio@qq.com](mailto:amy-studio@qq.com)

Title			
<b>EP2C5T144C8 FPGA Board</b>			
Size	Number	Revision	
A4	<b>Memory</b>	<b>V1.0</b>	
Date:	2010-1-29	Sheet of	
File:	E:\ \memory.SchDoc	Drawn By:	<b>zl0801</b>



\* All copyrights reserved by amy studio  
 \* amy studio - - make development easier  
 \* web <http://www.amy-studio.com>  
 \* taobao <http://amy-studio.taobao.com>  
 \* email [amy-studio@qq.com](mailto:amy-studio@qq.com)

Title			<b>EP2C5T144C8 FPGA Board</b>		
Size	Number	Revision			
A4		<b>Modules</b>		<b>V1.0</b>	
Date:	2010-1-29	Sheet of			
File:	E:\ \MODULES.SchDoc	Drawn By:	z10801		



\* All copyrights reserved by amy studio  
 \* amy studio - - make development easier  
 \* web <http://www.amy-studio.com>  
 \* taobao <http://amy-studio.taobao.com>  
 \* email [amy-studio@qq.com](mailto:amy-studio@qq.com)

Title			
<b>EP2C5T144C8 FPGA Board</b>			
Size	Number	Revision	
A4		<b>Power</b>	<b>V1.0</b>
Date:	2010-1-29	Sheet of	
File:	E:\ \.power.SchDoc	Drawn By:	<b>zl0801</b>