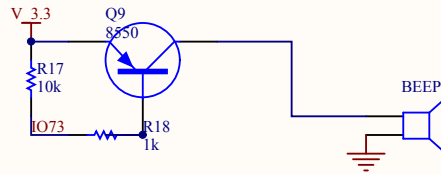
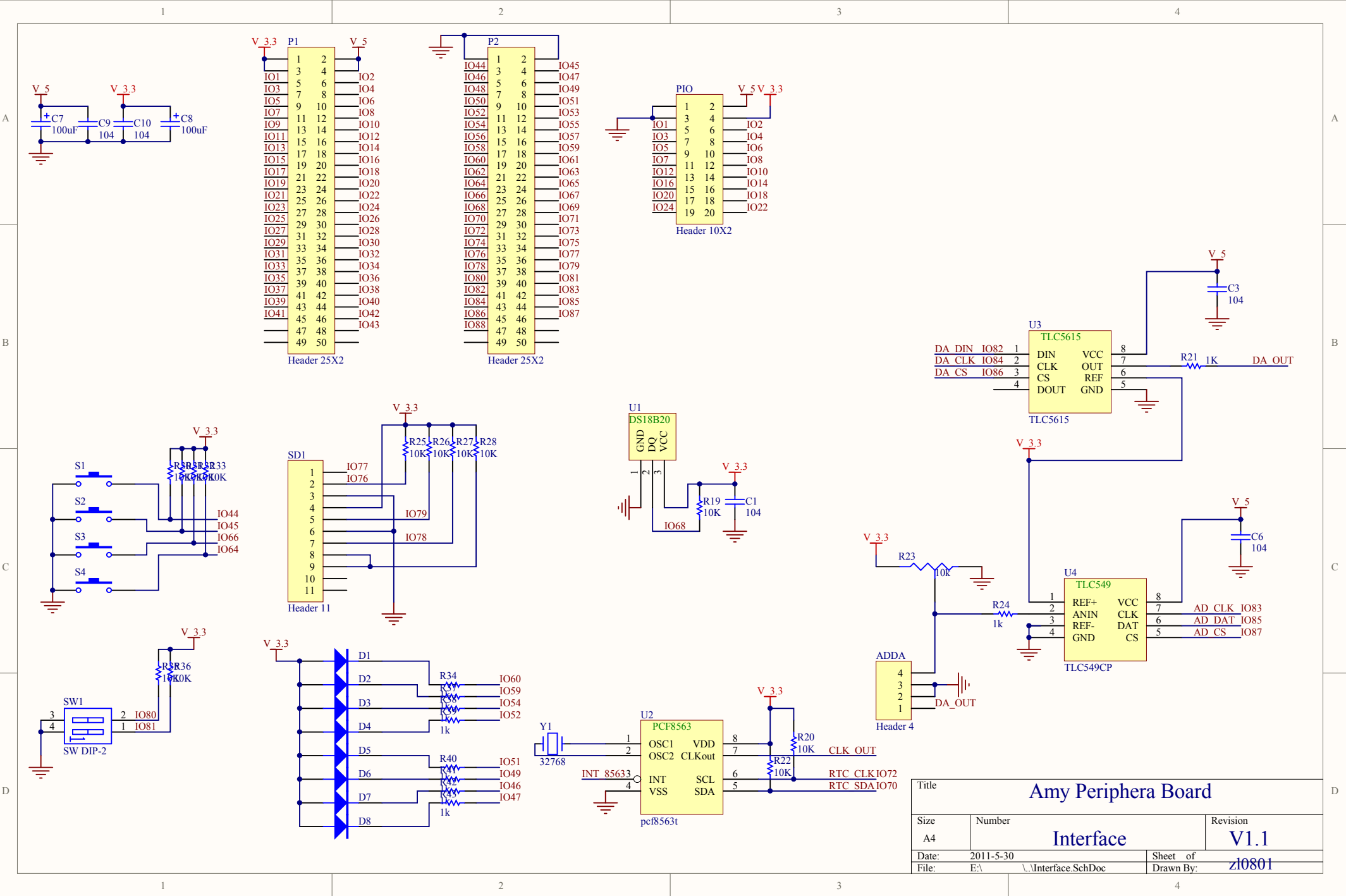


V_3.3VCC



Title			Amy Periphera Board		
Size	Number	Revision			
A4		Display		V1.1	
Date:	2011-5-30	Sheet of			
File:	E:\ \..\Display.SchDoc	Drawn By:	zl0801		



Title			Amy Periphera Board		
Size	Number	Revision		V1.1	
A4		Interface		z10801	
Date:	2011-5-30	Sheet of			
File:	E:\ \..\Interface.SchDoc	Drawn By:	z10801		

U_Display
Display.SchDoc



U_Interface
Interface.SchDoc

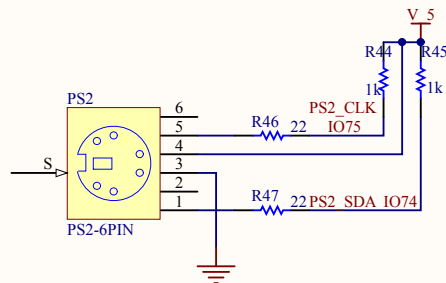
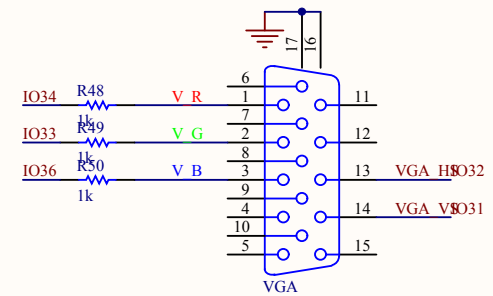
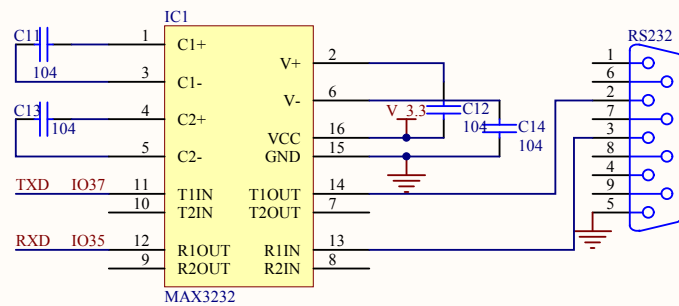


U_VGA_PS2_UART
VGA_PS2_UART.SchDoc



- * All copyrights reserved by amy studio
- * amy studio - - make development easier
- * web <http://www.amy-studio.com>
- * taobao <http://amy-studio.taobao.com>
- * email amy-studio@qq.com

Title			Amy Periphera Board		
Size	Number	Revision			
A4	UP	V1.1			
Date:	2011-5-30	Sheet of			
File:	E:\...\up.SchDoc	Drawn By:	zl0801		



* All copyrights reserved by amy studio
 * amy studio - - make development easier
 * web <http://www.amy-studio.com>
 * taobao <http://amy-studio.taobao.com>
 * email amy-studio@qq.com

Title		VGA_PS2_UART	
Size	Number	Revision	
A4	UP	V1.1	
Date:	2011-5-30	Sheet of	
File:	E:\ \..VGA_PS2_UART.SchDoc	Drawn By:	zl0801

