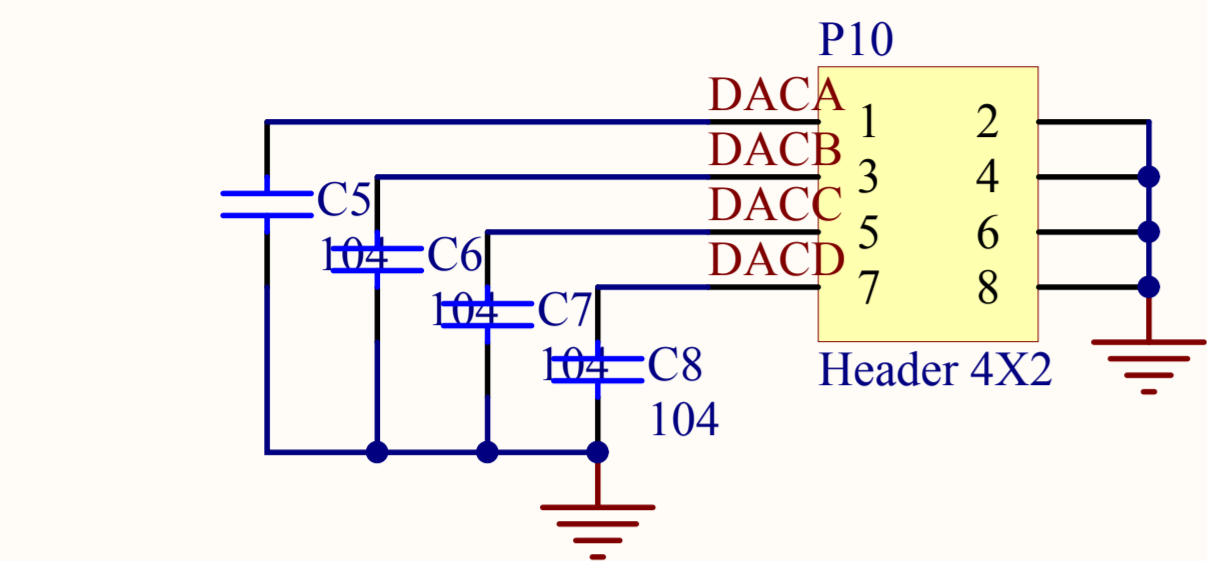
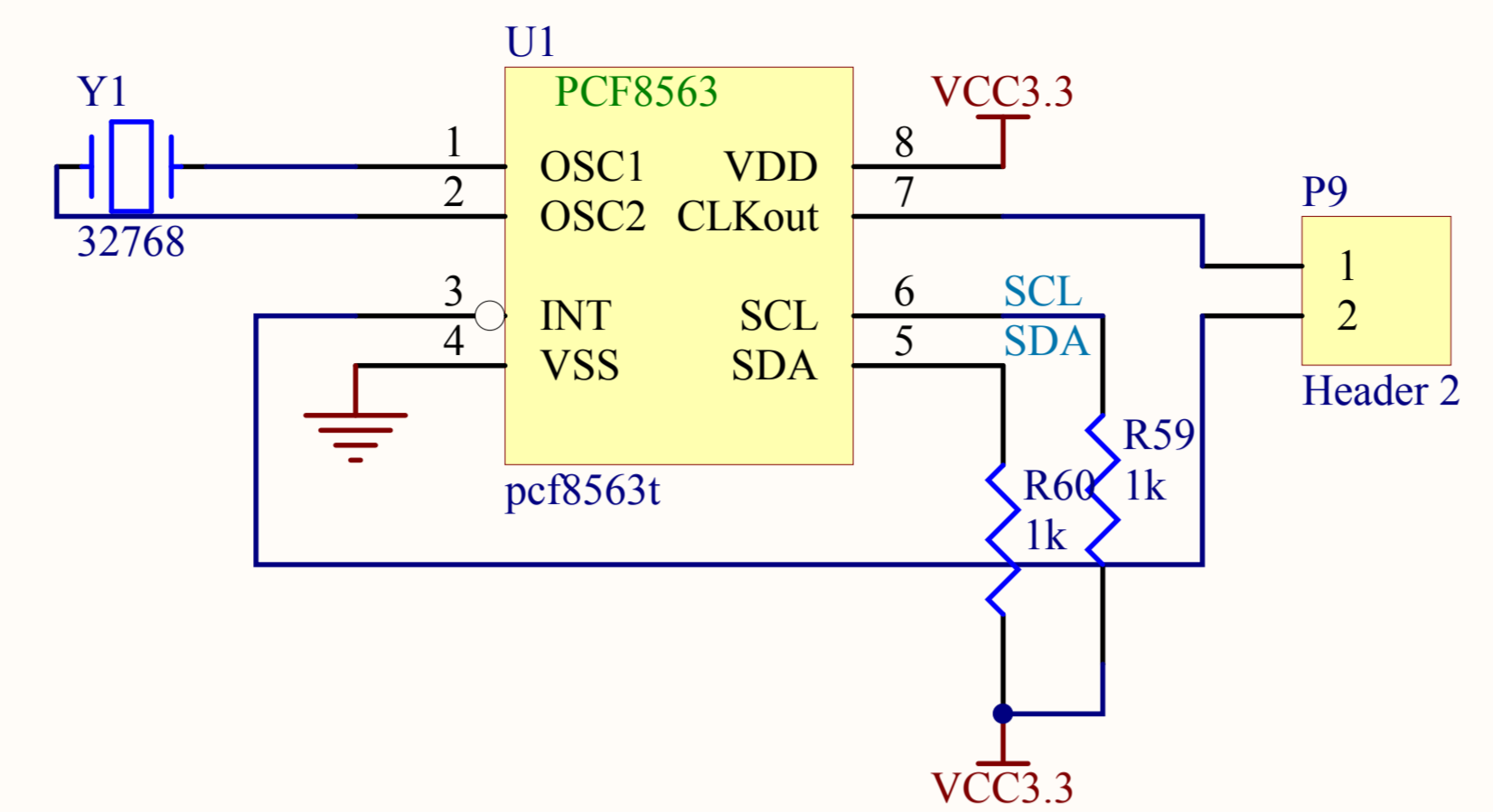


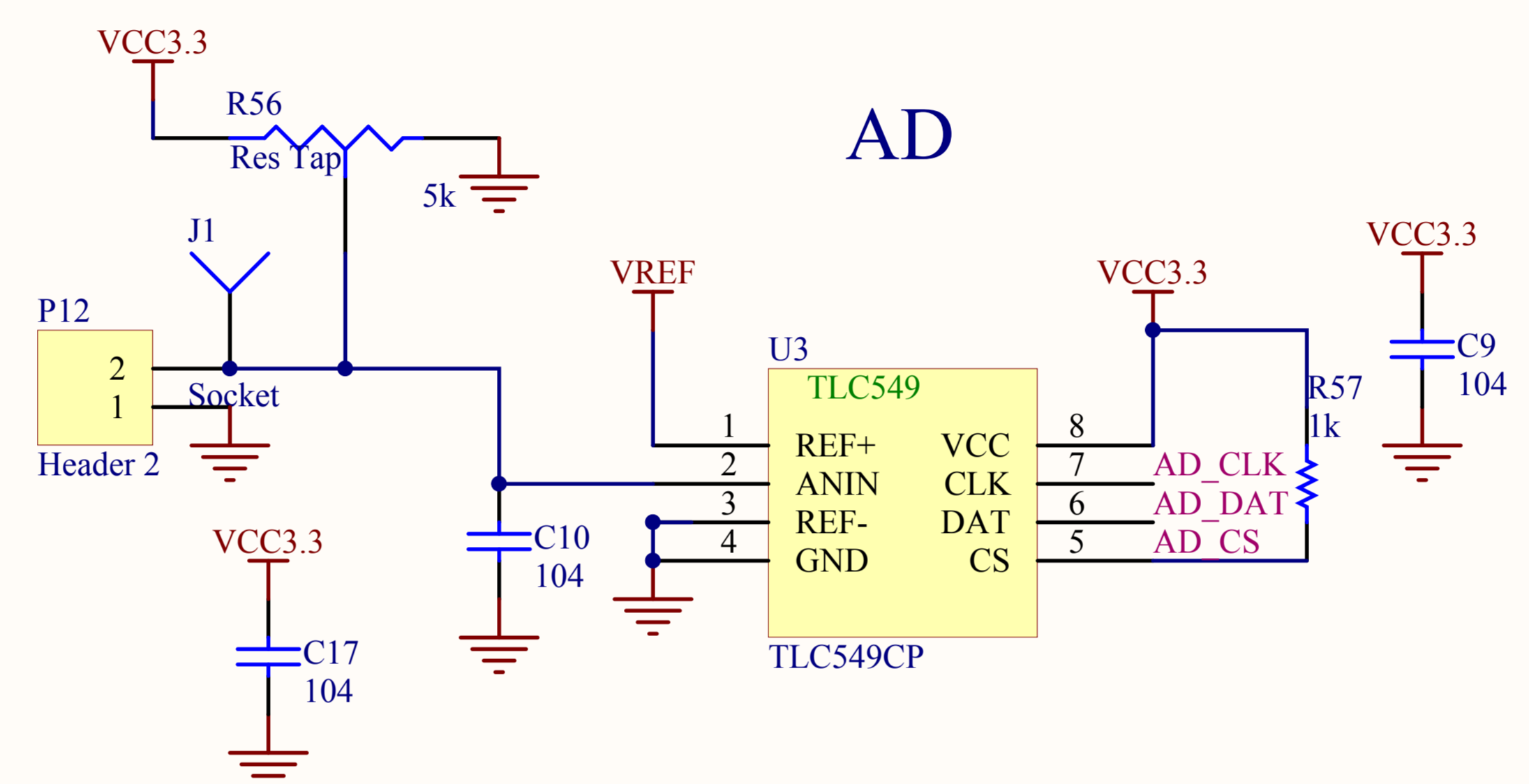
# DA



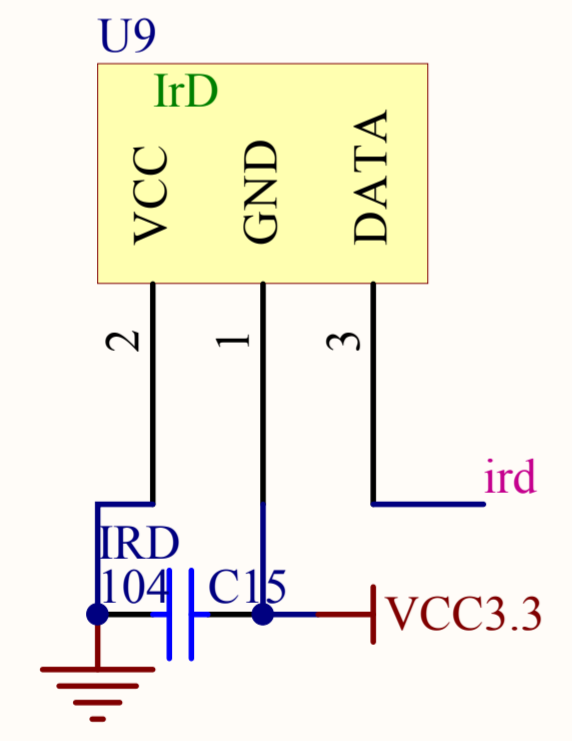
# I2C PCF8563 clock



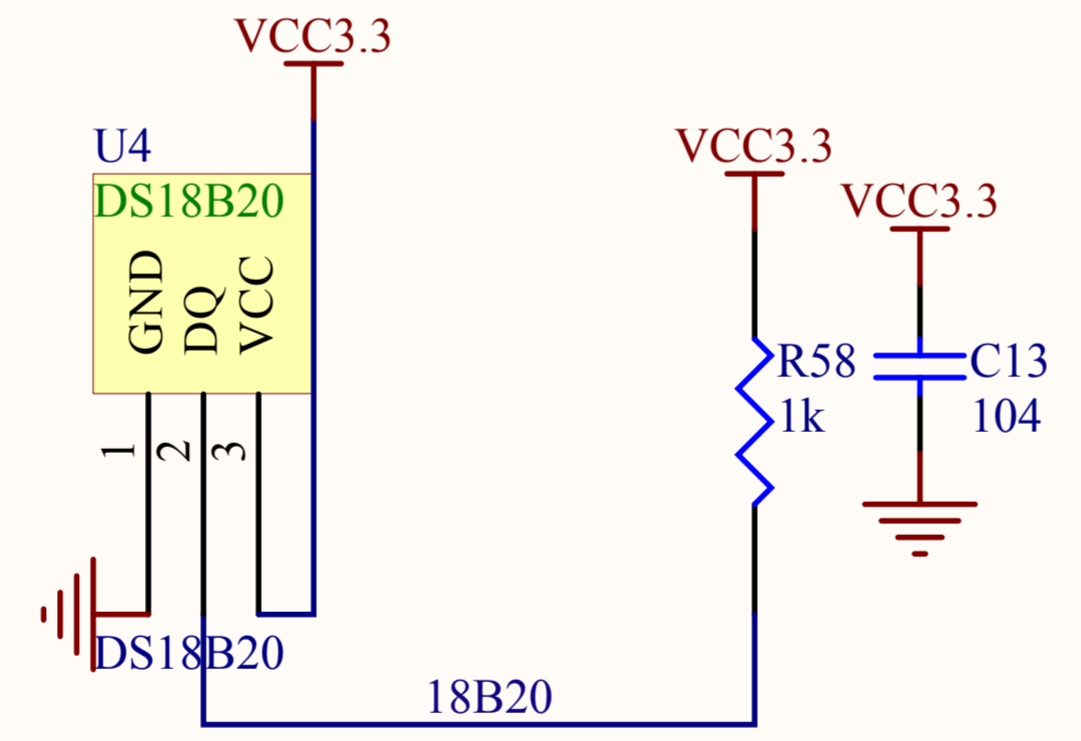
# AD



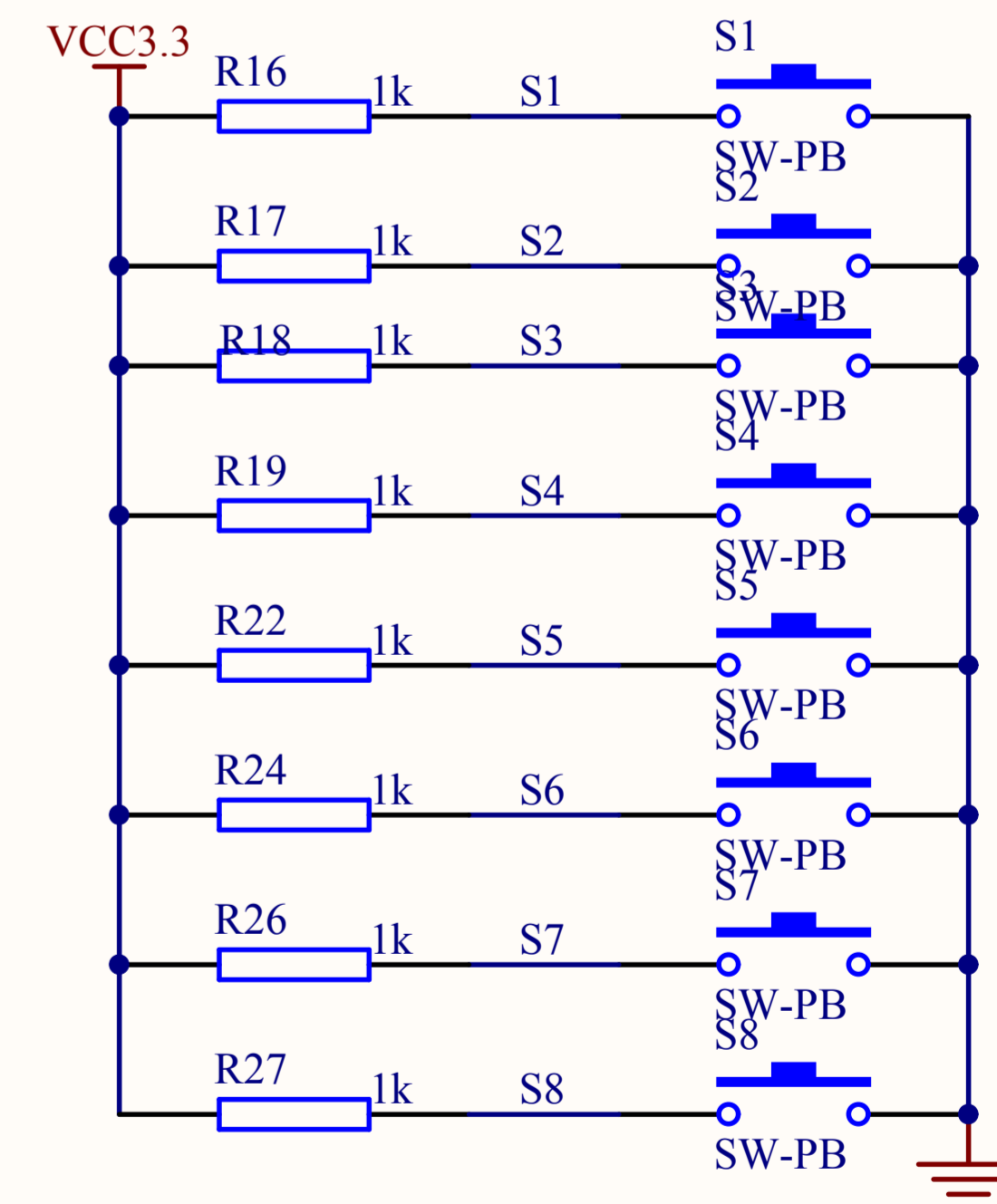
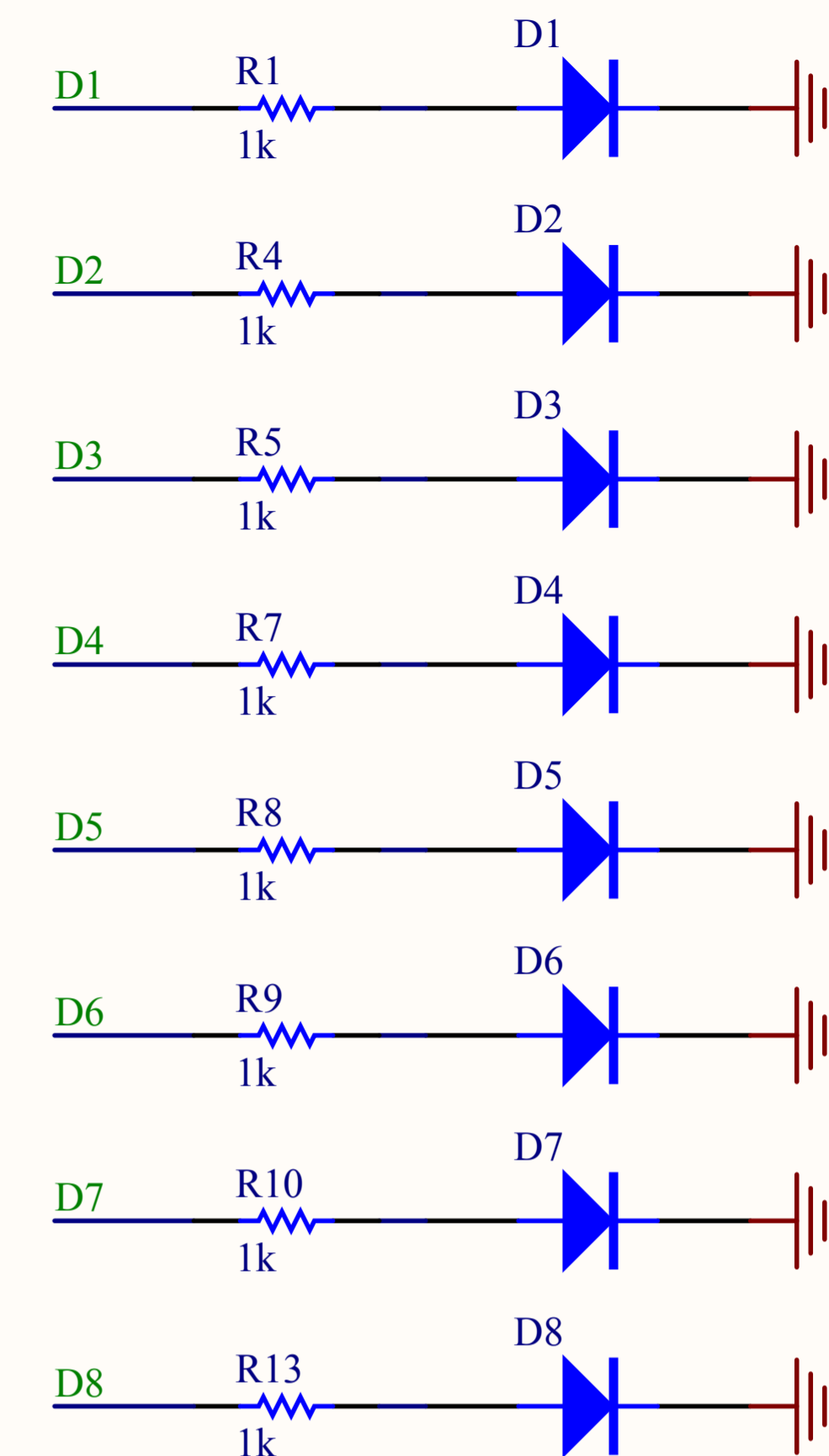
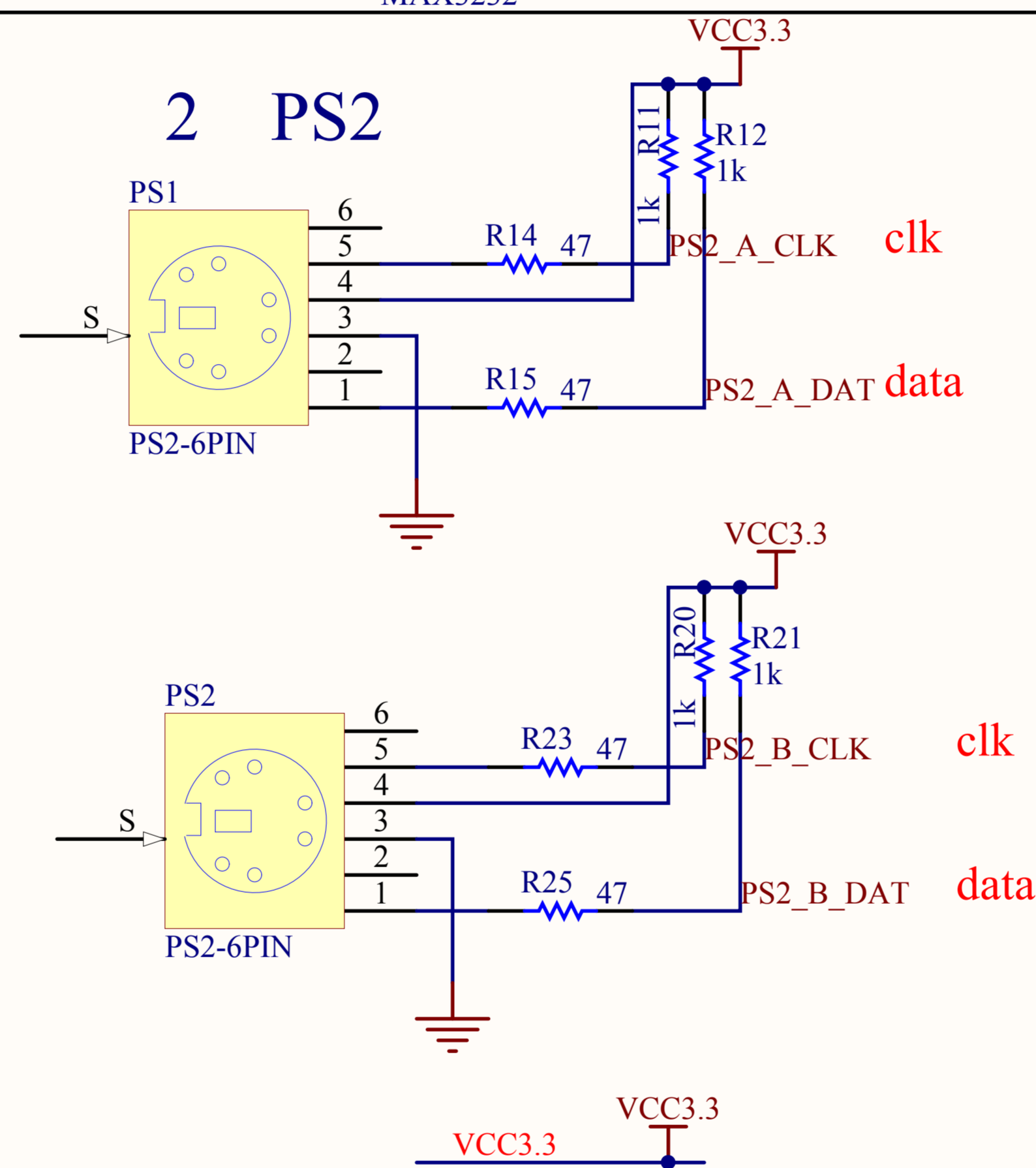
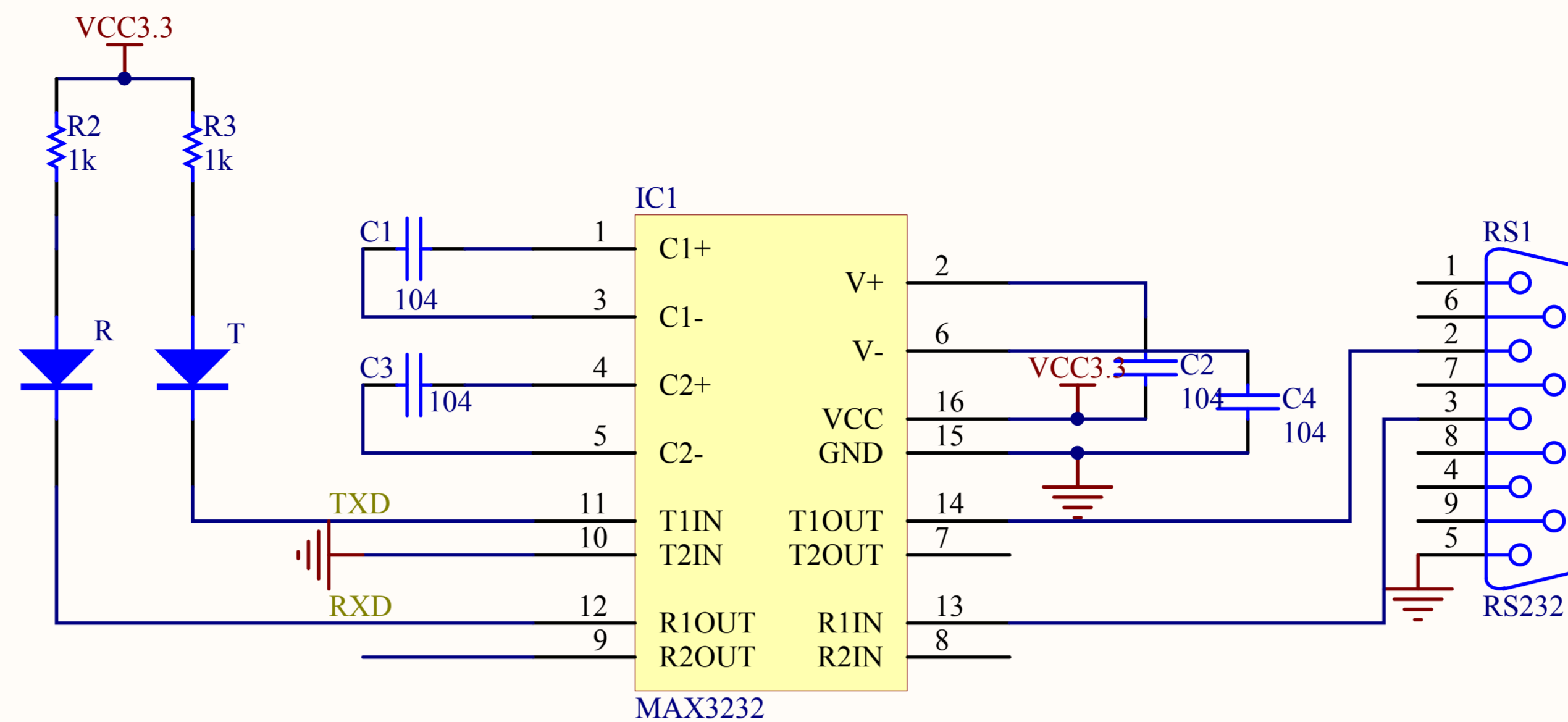
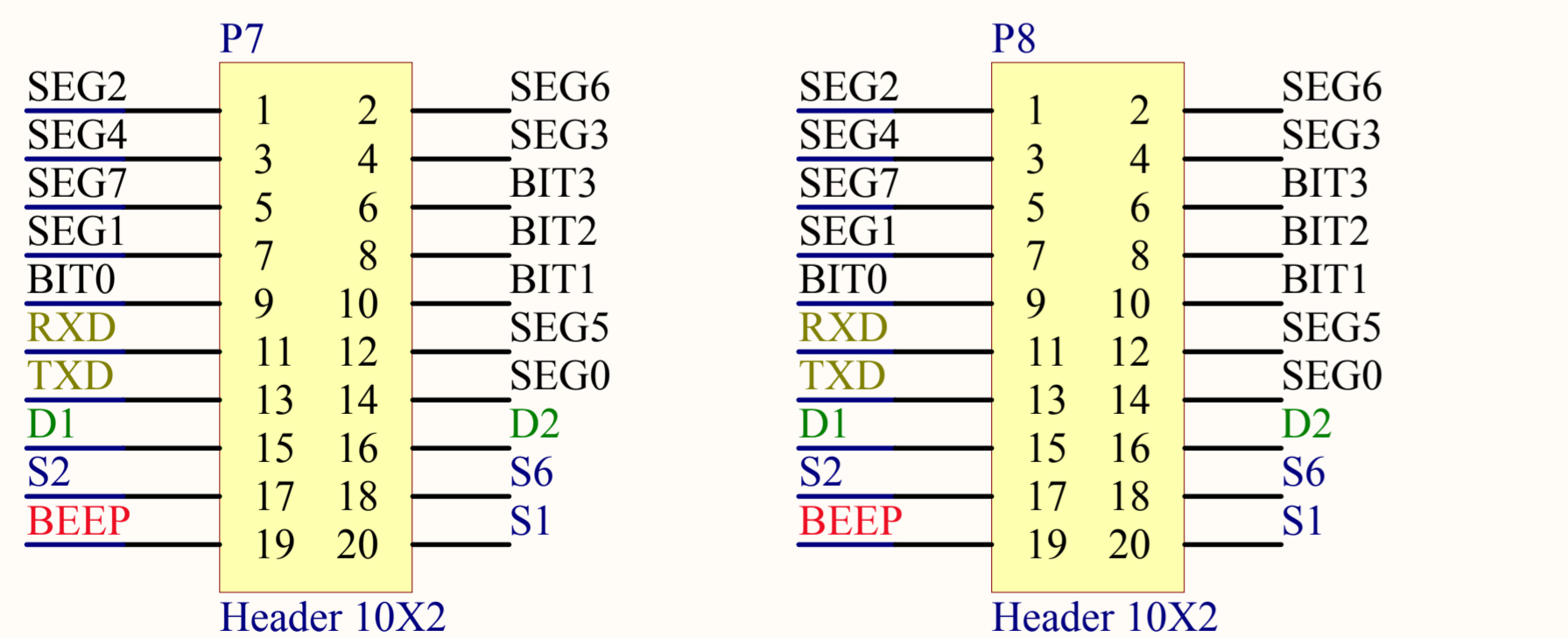
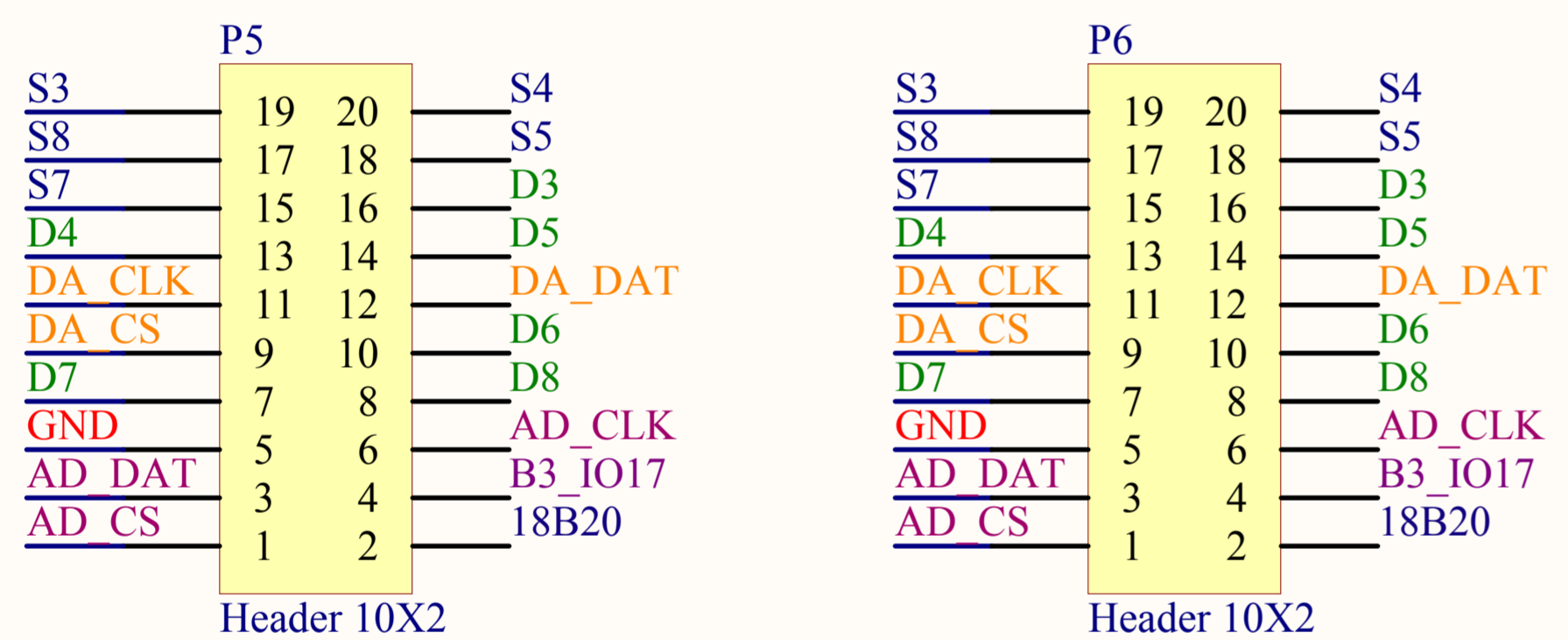
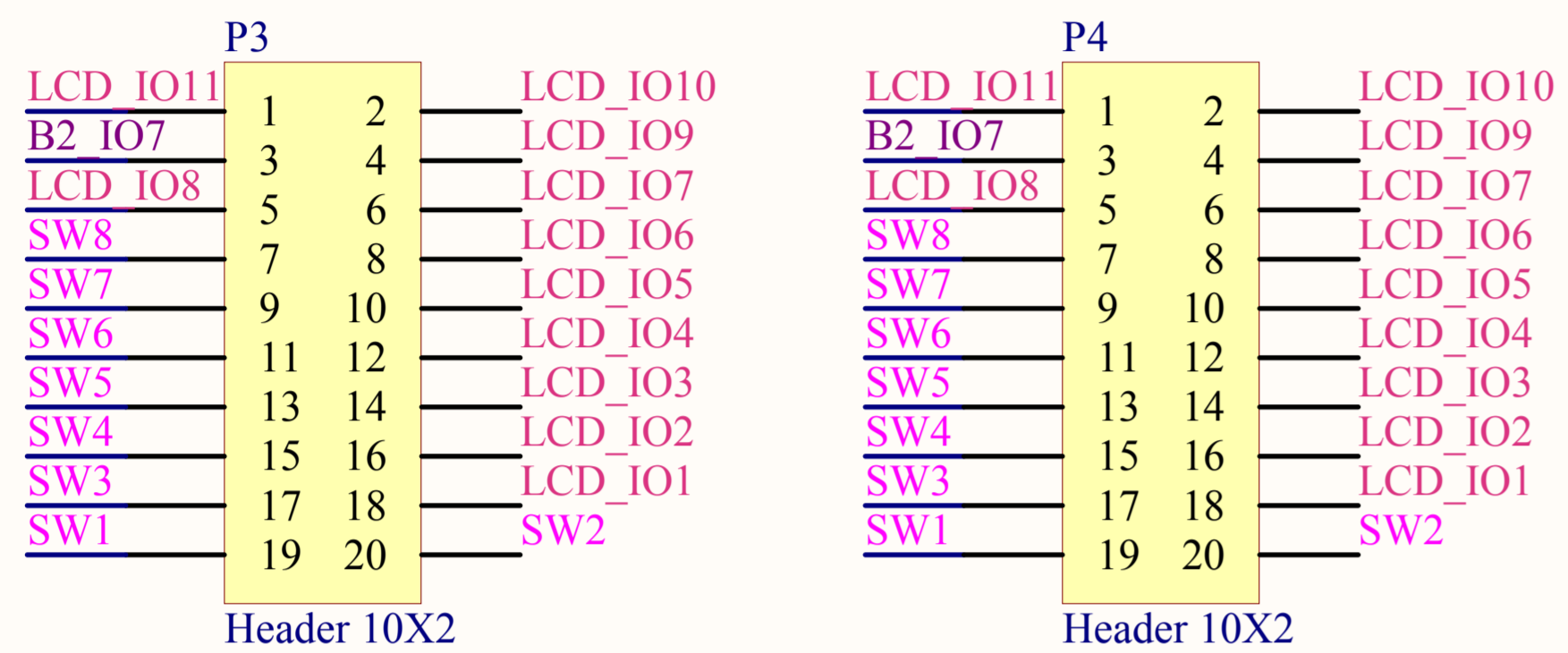
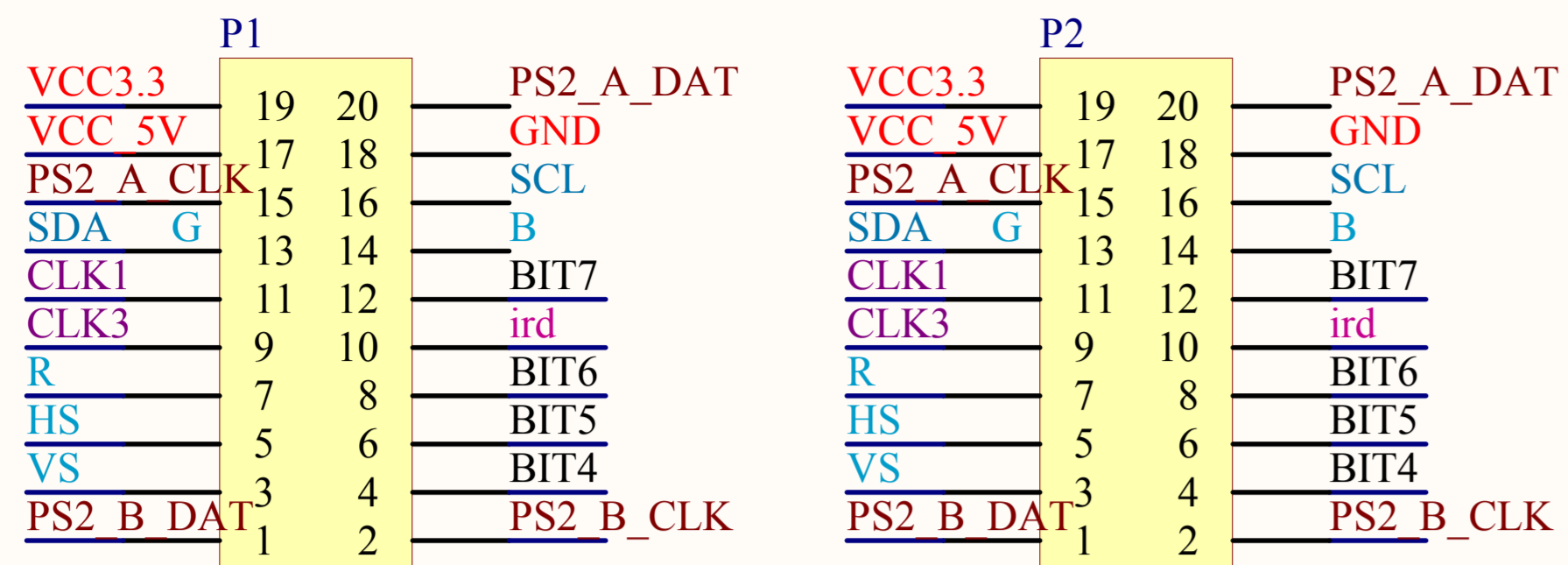
# infrared remote control



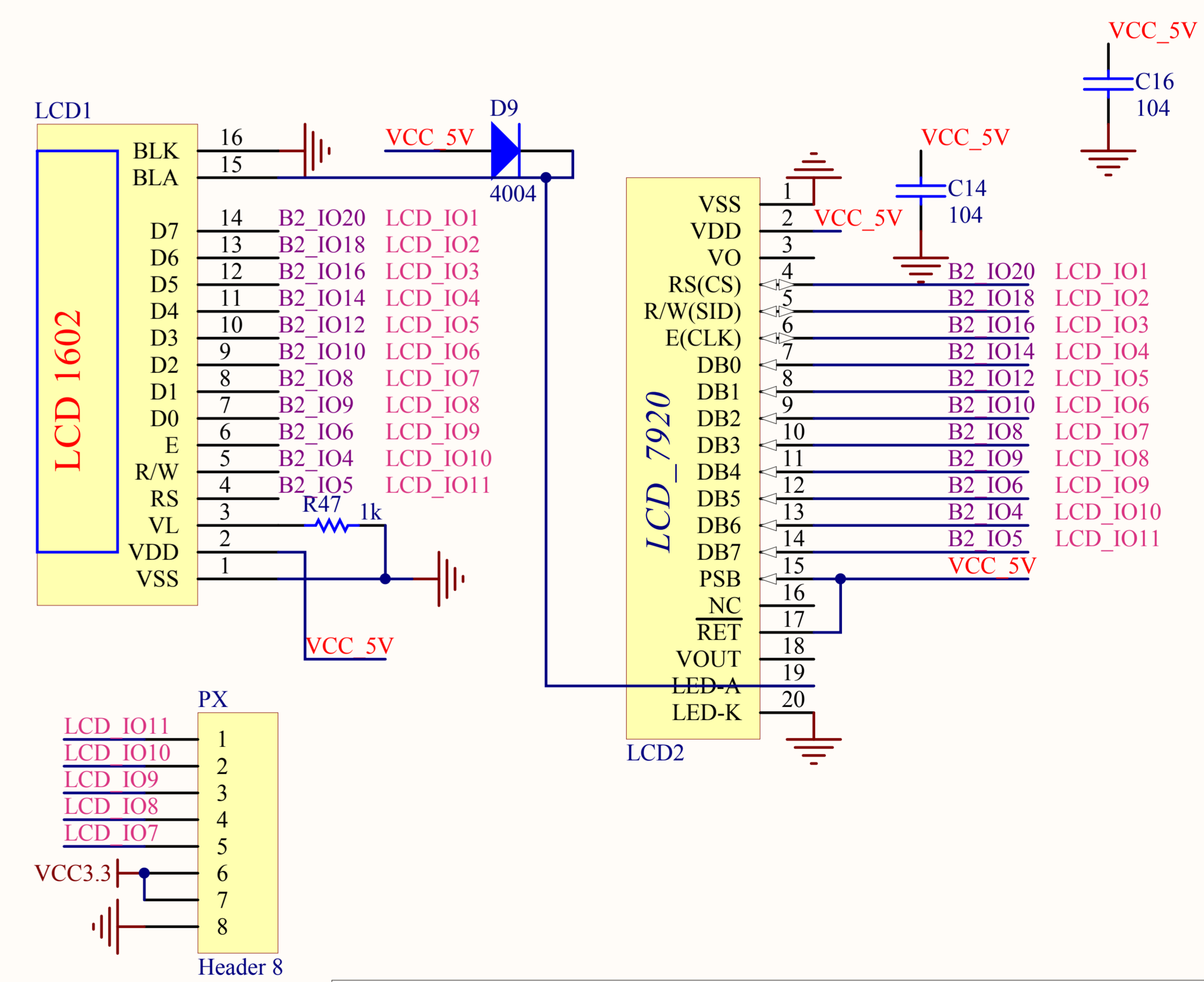
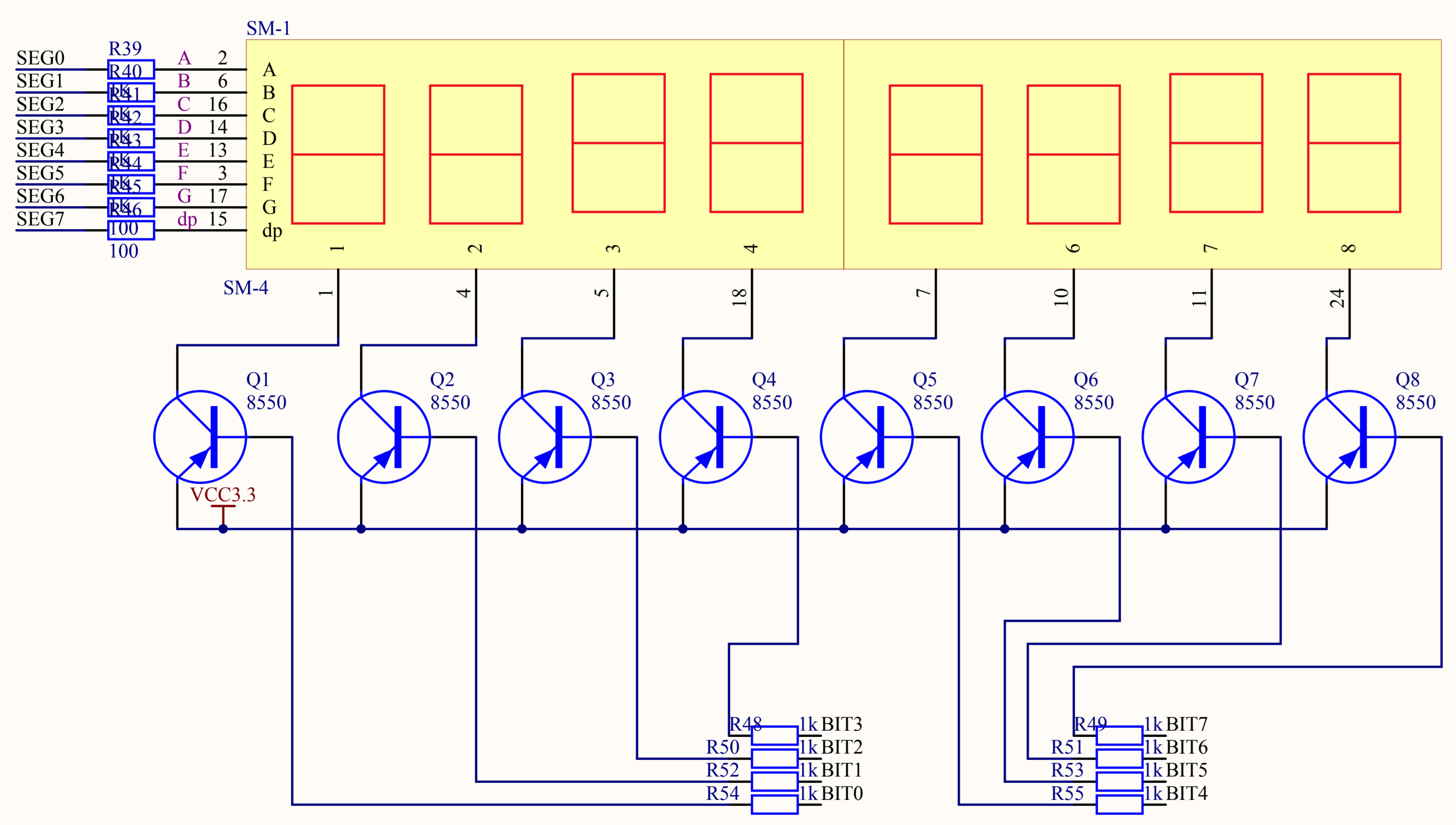
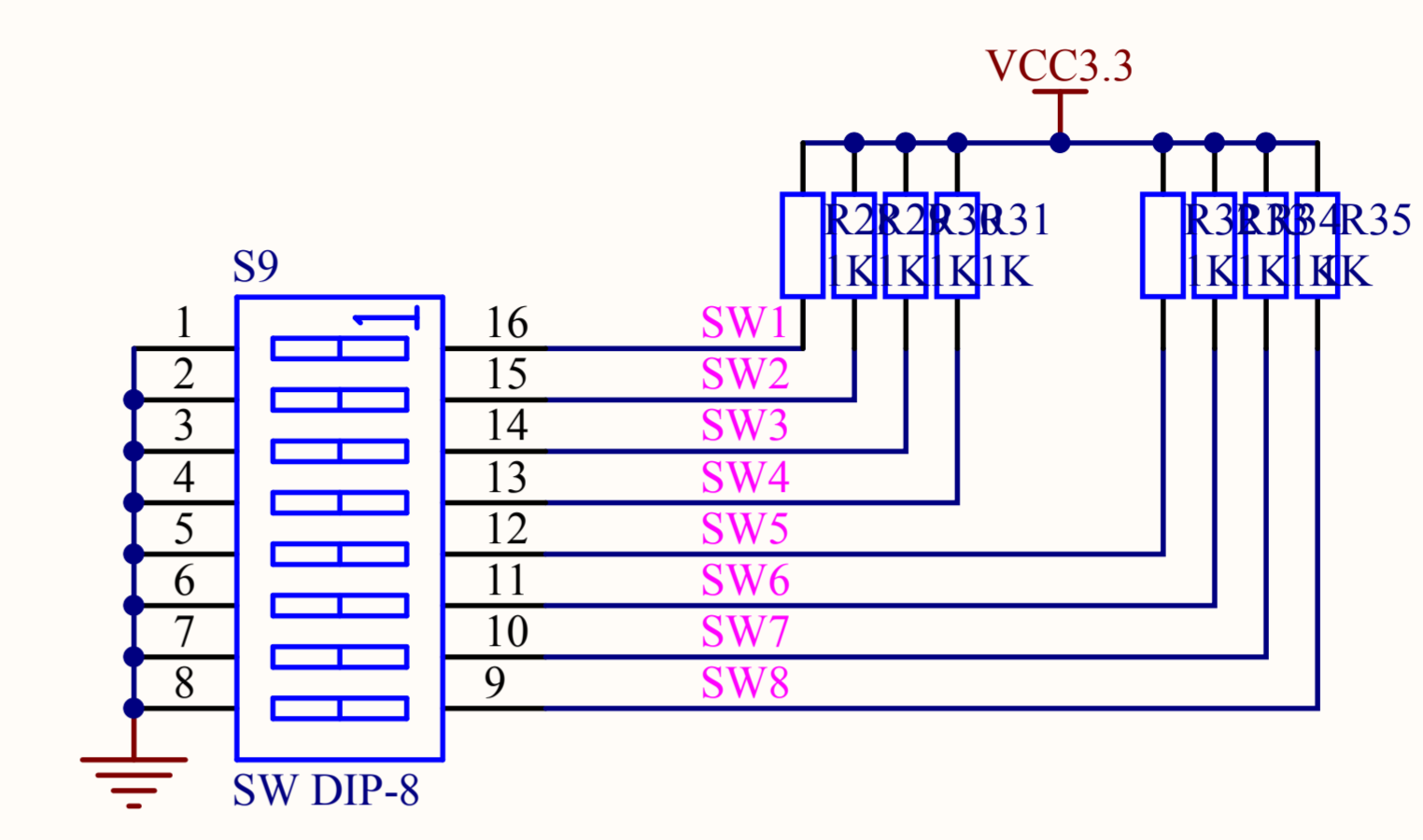
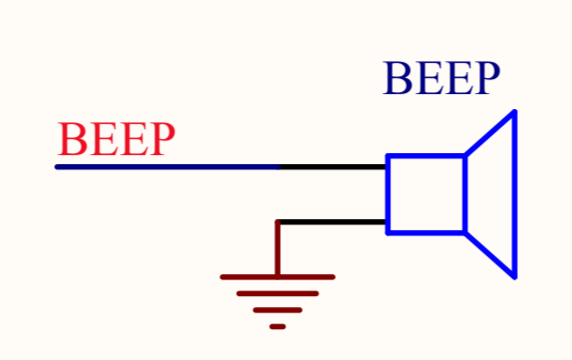
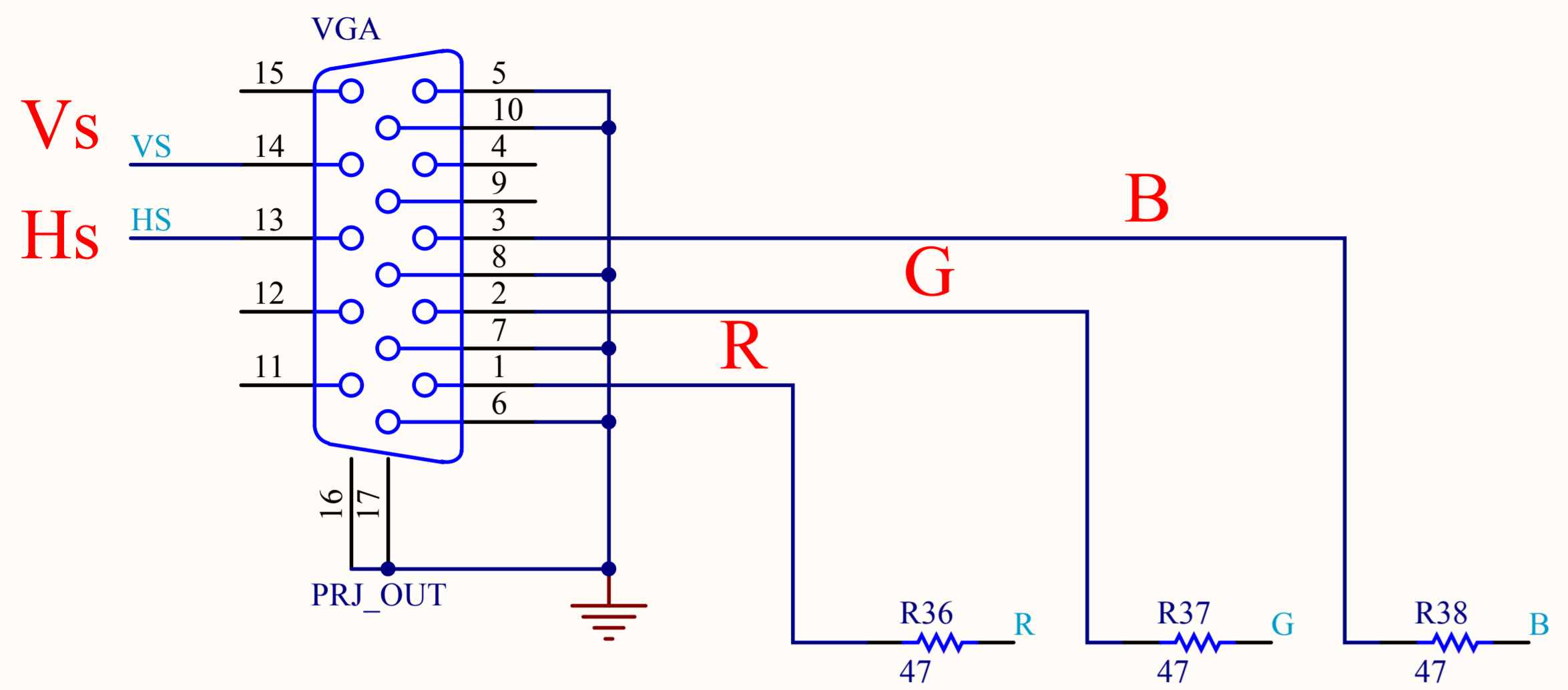
# temperature



Title		<b>IC3</b>	
Size	Number	Revision	
A4			
Date:	2009-10-7	Sheet of	
File:	E:\09-board\per_1\IC3.SchDoc	Drawn By:	

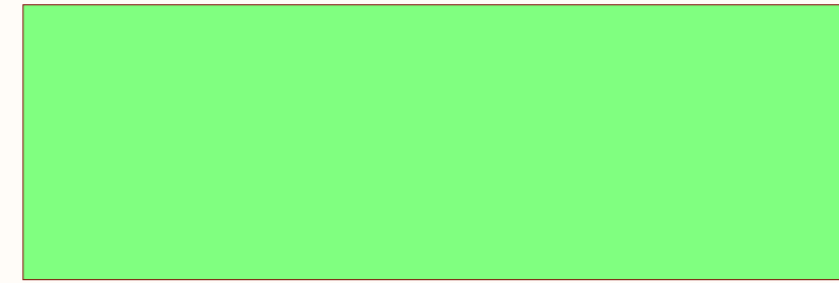


Title			Part1		
Size	Number		Revision		
A4					
Date:	2009-10-7	Sheet of			
File:	E:\09-board\per_1\part1.SchDoc		Drawn By:		



Title			Part2		
Size	Number		Revision		
A4					
Date:	2009-10-7	Sheet of			
File:	E:\09-board\per_1\part2.SchDoc		Drawn By:		

U\_IC3  
IC3.SchDoc



U\_part1  
part1.SchDoc



U\_part2  
part2.SchDoc



Title	Periphery for CPLD/FPGA		
Size	Number	Revision	
A4			
Date:	2009-10-7	Sheet	of
File:	E:\ \.\Periphery.SchDoc	Drawn By:	