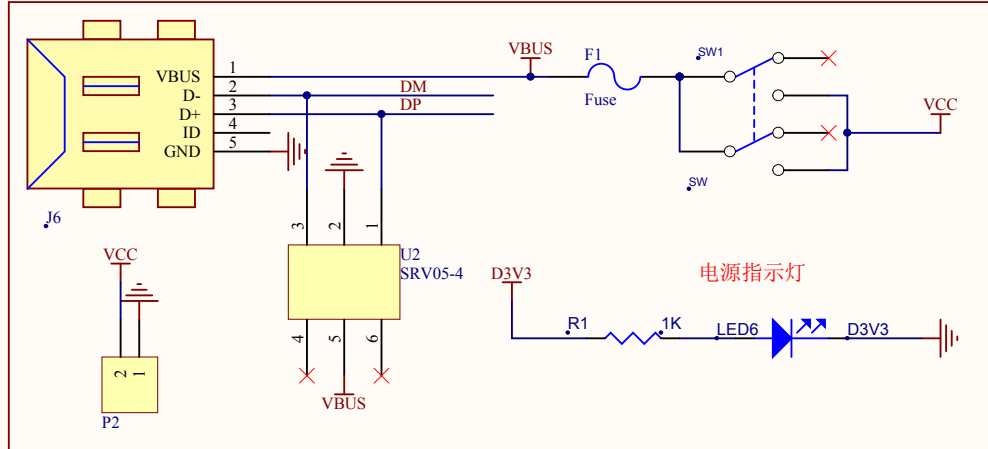
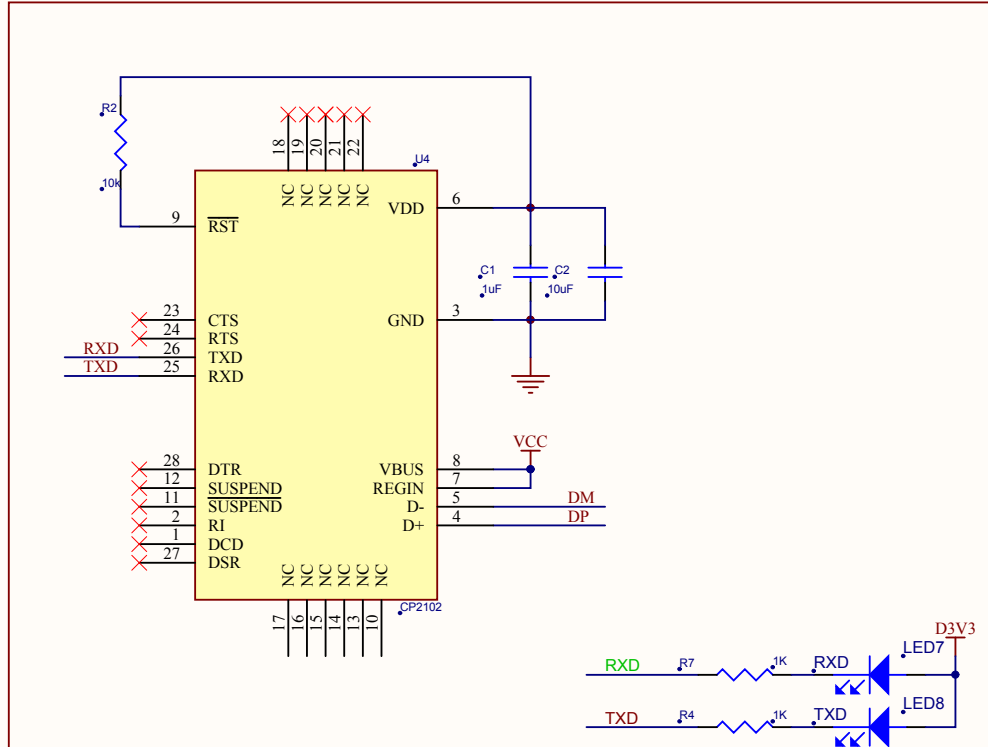


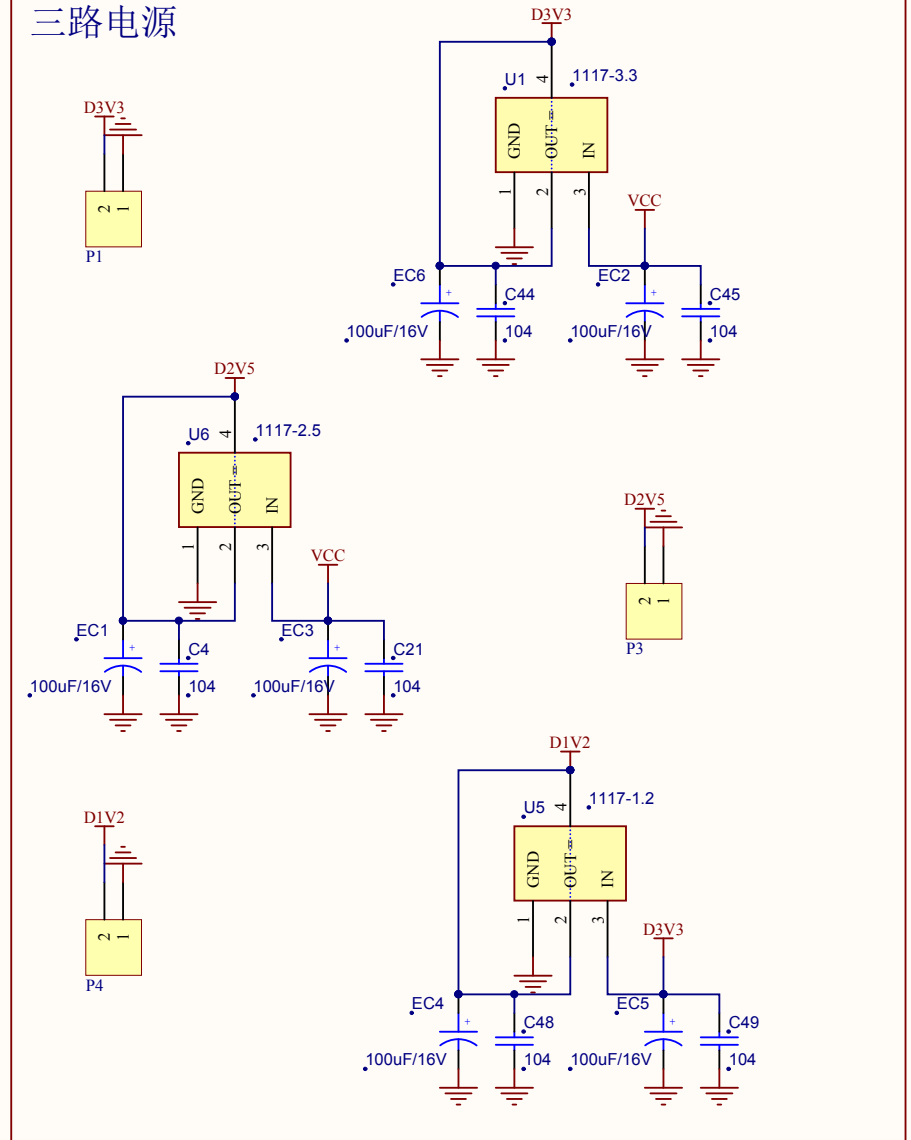
USB接口



USB转串口



三路电源

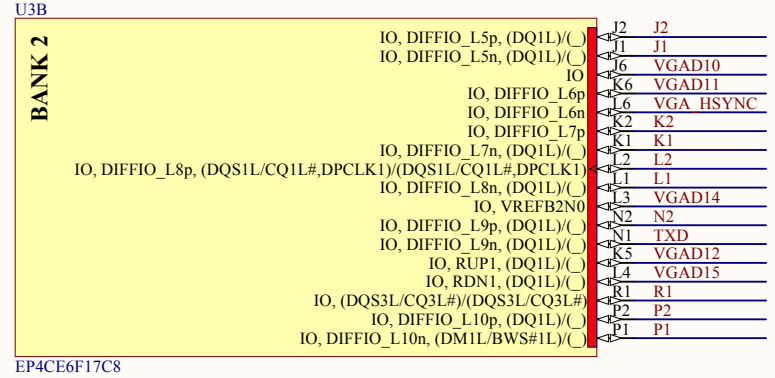
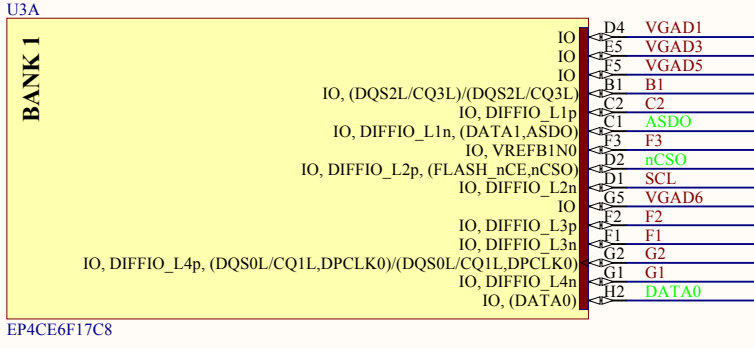


Title		
Size: A4	Number:	Revision:
Date:	Time:	Sheet of
File:		



A

A

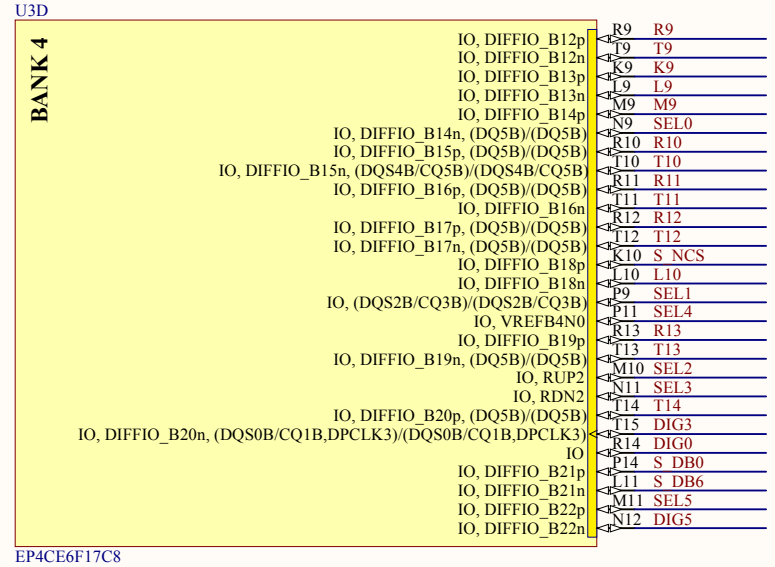
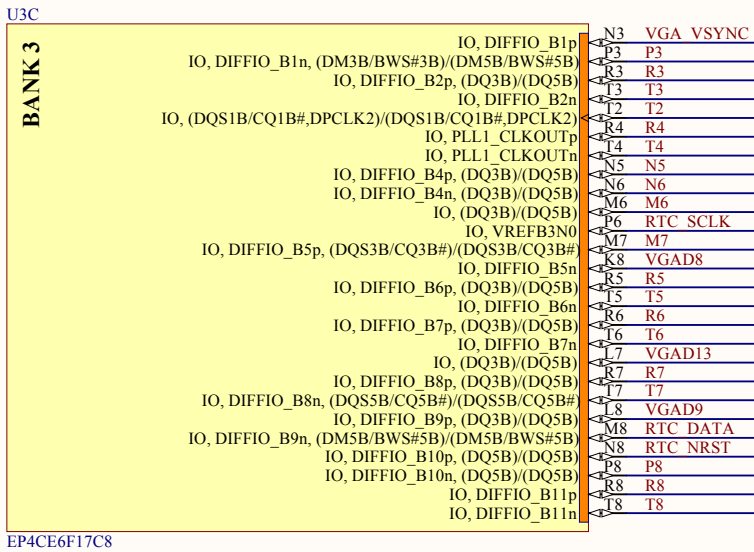


B

B

VGA_VSYNC

29



C

C

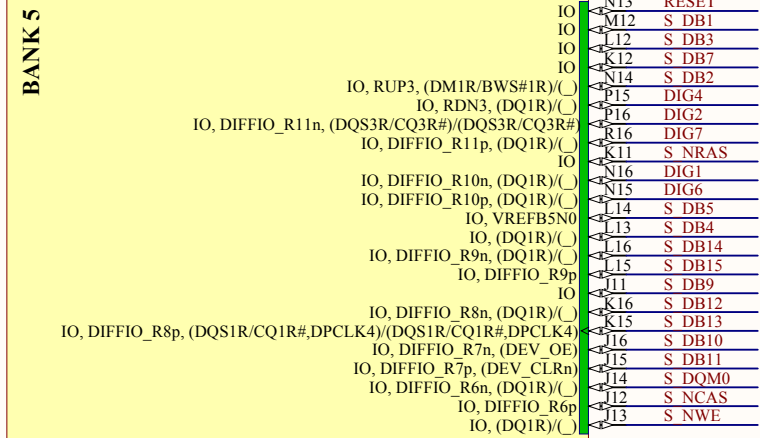
D

D

Title	AX309 Http://www.heijin.org		*
Size:	Orcad A	Number:2	*
		Revision:1.0	*
Date:	2016/12/30	Time: 9:31:07	*
		Sheet2 of 7	*
File:	Z:\项目\AX\AX4010\AX301_CD\01 硬件设计资料\原理图和PCB2_FPGA.SchDoc		

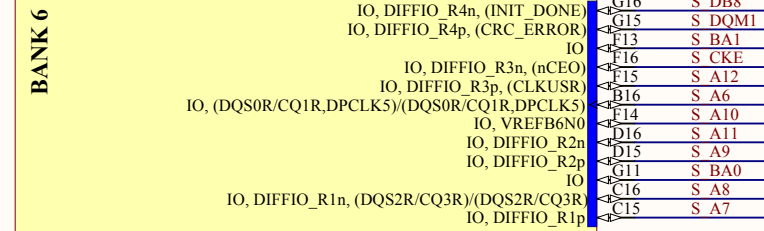


U3E



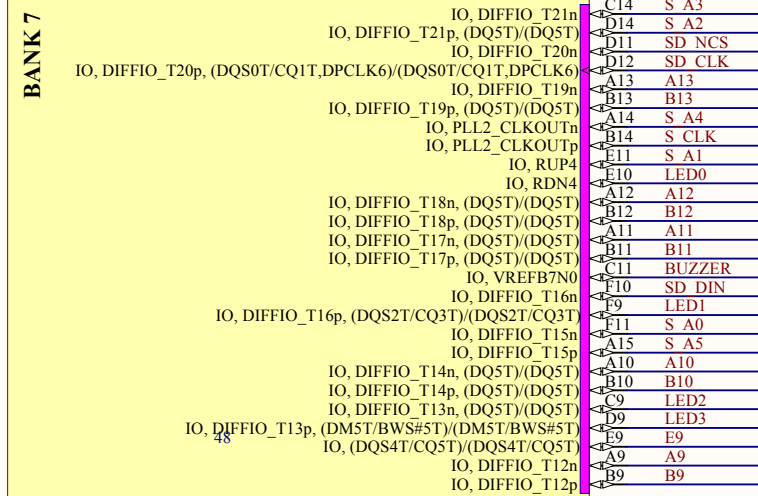
EP4CE6F17C8

U3F



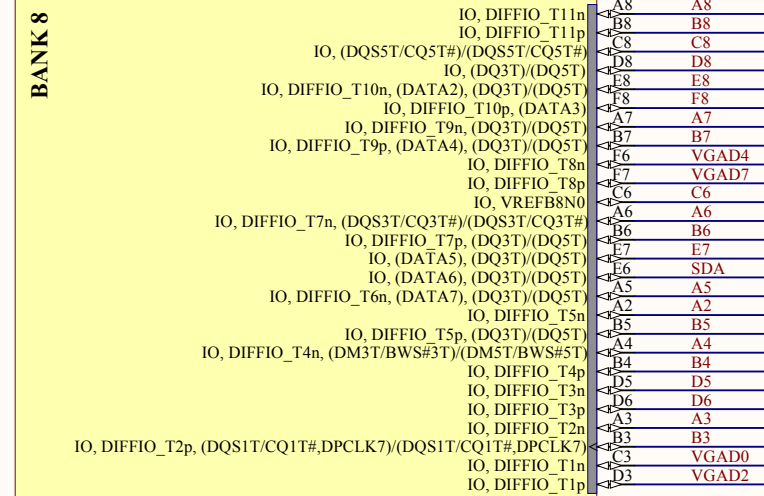
EP4CE6F17C8

U3G



EP4CE6F17C8

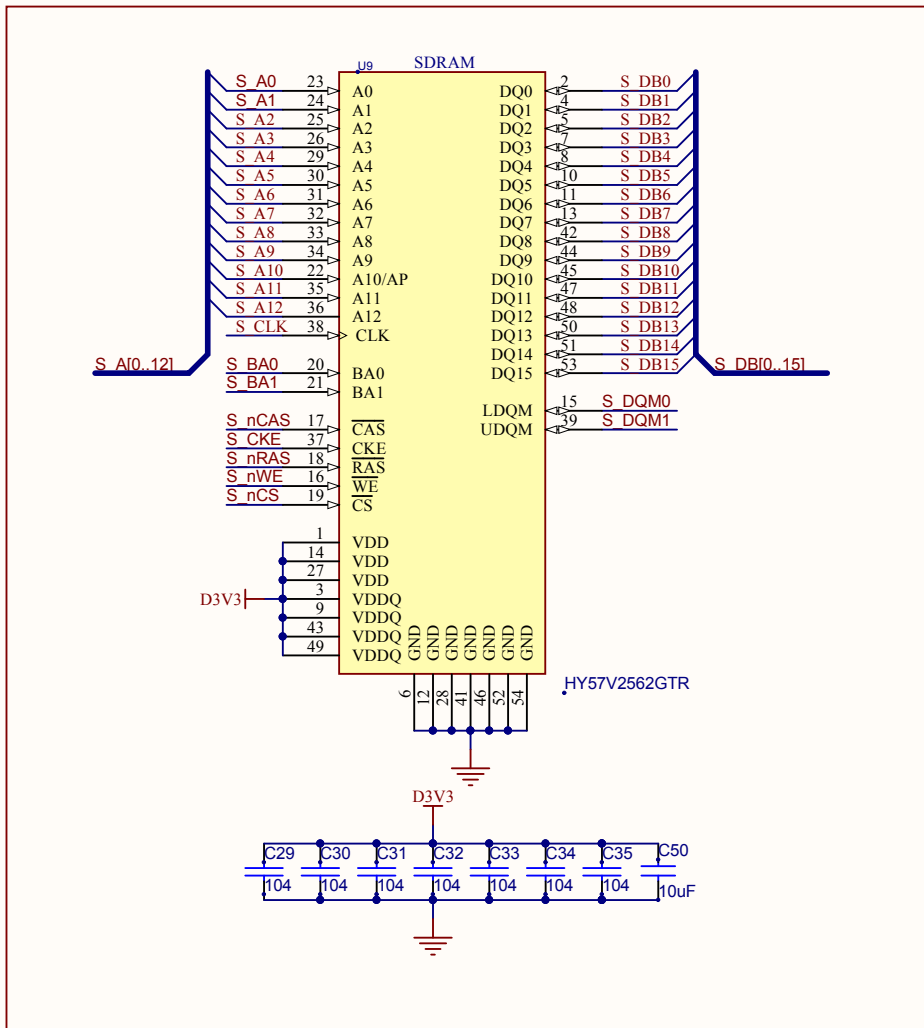
U3H



EP4CE6F17C8



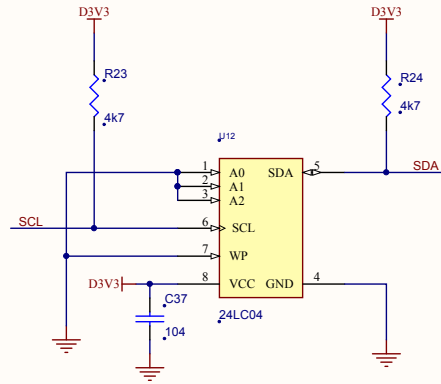
256Mbit SDRAM



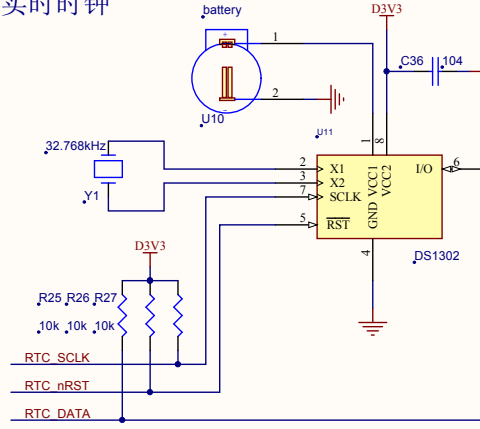
Title AX309 Http://www.heijin.org		*
Size: Orcad A	Number:5	Revision:*
Date: 2016/12/30	Time: 9:31:07	Sheet5 of 7
File: Z:\项目\AX\AX4010\AX301_CD\01 硬件设计资料\原理图和PCB\5_SDRAM.SchDoc		



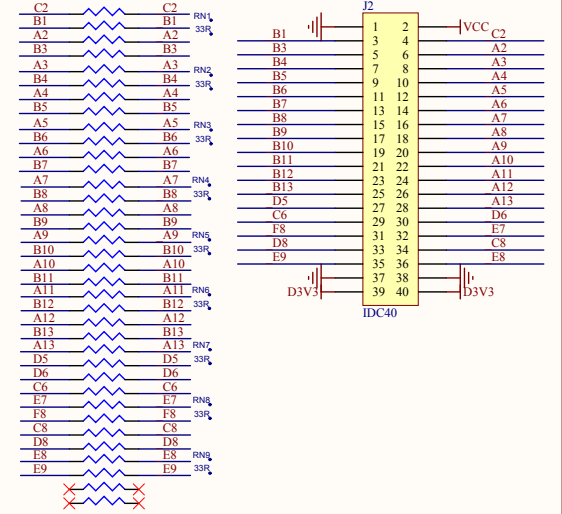
EEPROM



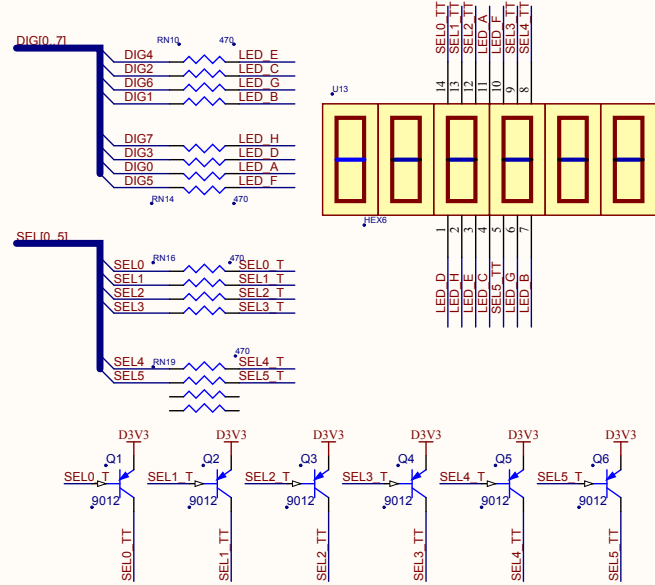
实时时钟



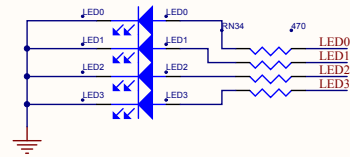
40针扩展口



六位数码管



四个LED



40针扩展口

