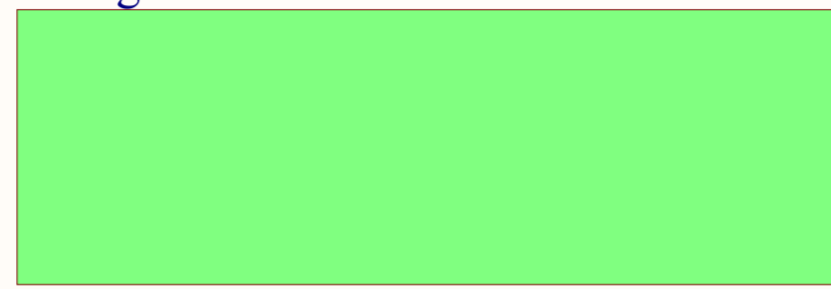


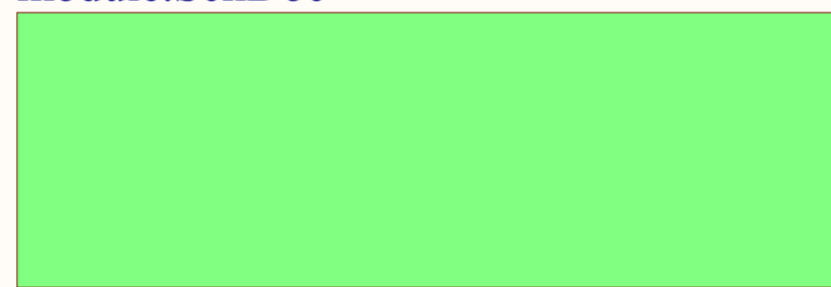
U\_bank  
bank.SchDoc



U\_configure  
configure.SchDoc



U\_module  
module.SchDoc



U\_power  
power.SchDoc



U\_memory  
memory.SchDoc



Title		<b>core of NIOS board</b>	
Size	Number	Revision	
A4			
Date:	2009-10-13	Sheet	of
File:	E:\ \..\ep2c8.SchDoc	Drawn By:	

UIA

**BANK 1**

IO, (ASDO)	1	ASDO
IO, (nCSO)	2	nCSO
IO, LVDS15p (CRC_ERROR)	3	B1_3
IO, LVDS15n (CLKUSR)	4	CLKUSR
IO, LVDS14p	5	B1_5
IO, LVDS14n	6	B1_6
IO, LVDS13p, DQ1L0/_	8	B1_7
IO, LVDS13n, DQ1L1/_	10	B1_8
IO, LVDS12p, DQ1L2/_	11	B1_9
IO, LVDS12n, DQ1L3/_	12	B1_10
IO, VREFB1N0	13	B1_11
IO, LVDS8p, (DPCLK0/DQS0L)/(DPCLK0/DQS0L)	14	B1_12
IO, LVDS8n	15	B1_13
IO, LVDS7p, (DPCLK1/DQS1L)/(DPCLK1/DQS1L)	30	B1_14
IO, LVDS7n	31	B1_15
IO, LVDS6n, DQ1L4/_	33	B1_16
IO, DQ1L5/_	34	B1_17
IO, LVDS5p, DQ1L6/_	35	B1_18
IO, VREFB1N1	37	B1_19
IO, LVDS3n, DQ1L7/_	39	B1_20
IO, LVDS2p, DQ1L8/_	40	B1_21
IO, LVDS2n, (DM1L/BWS#1L)/	41	B1_22
IO	43	B1_23
IO, LVDS0p	44	B1_24
IO, LVDS0n	45	B1_25
IO	46	B1_26
IO	47	B1_27
IO, PLL1_OUTp	48	B1_28
IO, PLL1_OUTn		

EP2C8Q208C8

UIB

**BANK 2**

IO, LVDS37n	160	B2_1
IO, LVDS37p, DQ0T0/DQ1T0	161	B2_2
IO, LVDS36n, DQ0T1/DQ1T1	162	B2_3
IO, LVDS36p, DQ0T2/DQ1T2	163	B2_4
IO, LVDS35n, DQ0T3/DQ1T3	164	B2_5
IO, LVDS35p, DQ0T4/DQ1T4	165	B2_6
IO, LVDS34n	168	B2_7
IO, LVDS34p, (DPCLK8/DQS0T)/(DPCLK8/DQS0T)	169	B2_8
IO, VREFB2N0	170	B2_9
IO, LVDS33n, DQ0T5/DQ1T5	171	B2_10
IO, LVDS33p, DQ0T6/DQ1T6	173	B2_11
IO, LVDS31n, DQ0T7/DQ1T7	175	B2_12
IO, LVDS31p, /DQ1T8	176	B2_13
IO, LVDS29n, DM0T/(DM1T0/BWS#1T0)	177	B2_14
IO, LVDS29p	180	B2_15
IO, LVDS28n	181	B2_16
IO, LVDS28p	182	B2_17
IO, LVDS26p, DQ1T0/DQ1T9	185	B2_18
IO, LVDS25n	187	B2_19
IO, LVDS25p, DQ1T1/DQ1T10	188	B2_20
IO, LVDS24n, DQ1T2/DQ1T11	189	B2_21
IO, LVDS24p, DQ1T3/DQ1T12	191	B2_22
IO, VREFB2N1	192	B2_23
IO, LVDS23n, DQ1T4/DQ1T13	193	B2_24
IO, LVDS23p, DQ1T5/DQ1T14	195	B2_25
IO, LVDS21n	197	B2_26
IO, LVDS21p	198	B2_27
IO, LVDS19n	199	B2_28
IO, LVDS19p, (DPCLK10/DQS1T)/(DPCLK10/DQS1T)	200	B2_29
IO, LVDS18n, DQ1T6/DQ1T15	201	B2_30
IO, LVDS18p, DQ1T7/DQ1T16	203	B2_31
IO, LVDS17p, DQ1T8/DQ1T17	205	B2_32
IO, LVDS17n, (DEV_CLRn)	206	DEV_CLRn
IO, LVDS16p, (DM1T/BWS#1T)/(DM1T1/BWS#1T1)	207	B2_34
IO, LVDS16n	208	B2_35

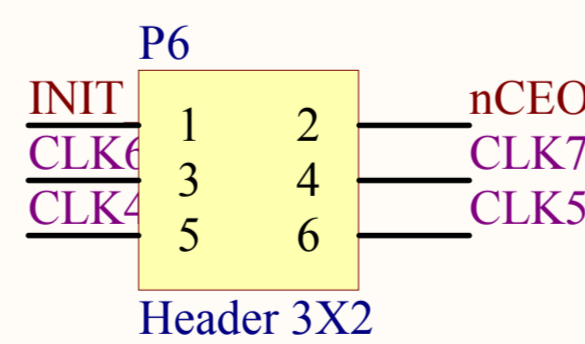
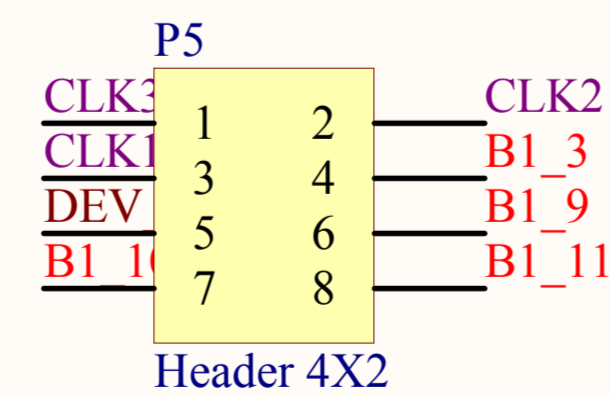
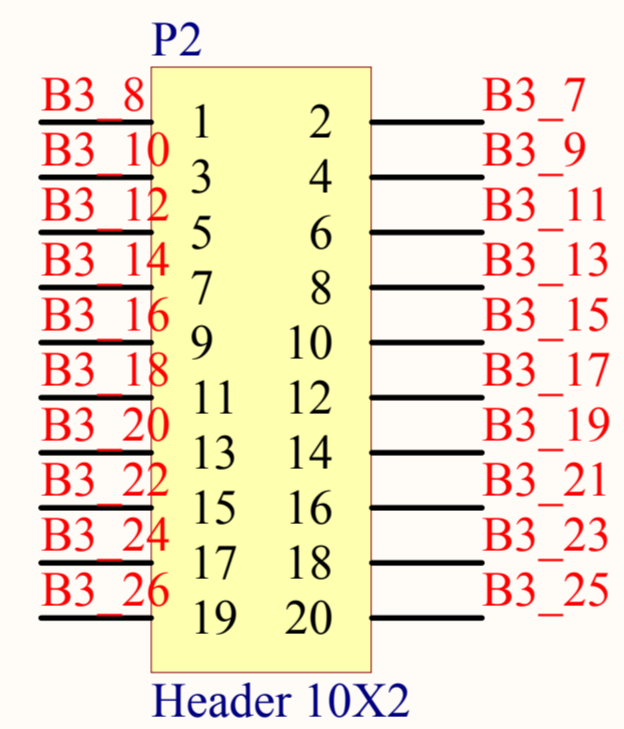
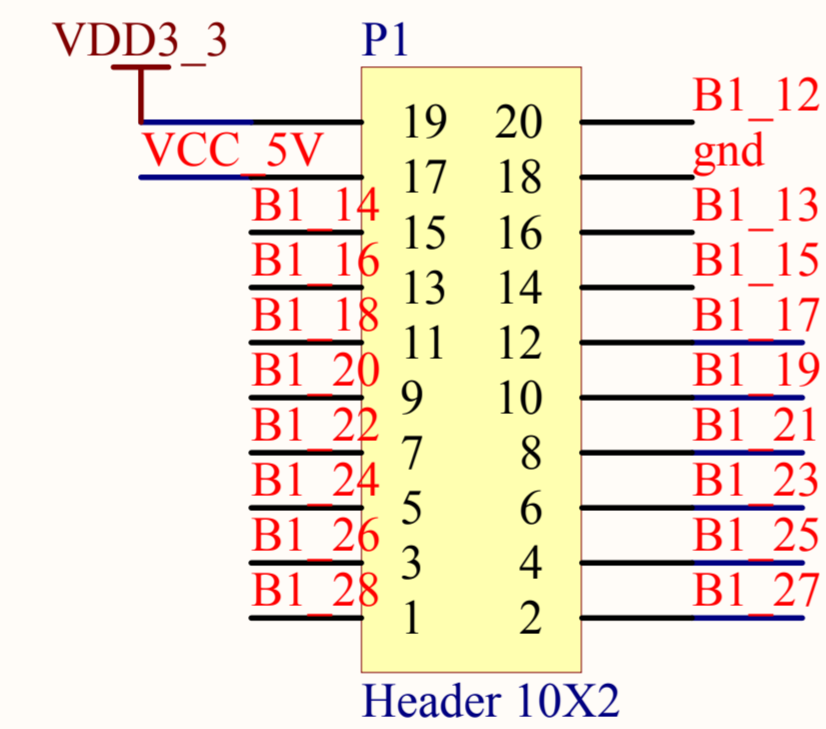
EP2C8Q208C8

UIC

**BANK 3**

IO, LVDS56n	105	B3_1
IO, LVDS56p, (DM1R/BWS#1R)/(DM1R1/BWS#1R1)	106	B3_2
IO, LVDS54n (INIT_DONE)	107	INIT_DONE
IO, LVDS54p (nCEO)	108	nCEO
IO, LVDS53n, DQ1R8/DQ1R17	110	B3_5
IO, LVDS53p, DQ1R7/DQ1R16	112	B3_6
IO, LVDS52n, DQ1R6/DQ1R15	113	B3_7
IO, LVDS52p, DQ1R5/DQ1R14	114	B3_8
IO, LVDS51n, DQ1R4/DQ1R13	115	B3_9
IO, LVDS51p, DQ1R3/DQ1R12	116	B3_10
IO, VREFB3N1	117	B3_11
IO, DQ1R2/DQ1R11	118	B3_12
IO, LVDS48n, DQ1R1/DQ1R10	127	B3_13
IO, LVDS48p, (DPCLK6/DQS1R)/(DPCLK6/DQS1R)	128	B3_14
IO, LVDS47n, DQ1R0/DQ1R9	133	B3_15
IO, LVDS47p, (DPCLK7/DQS0R)/(DPCLK7/DQS0R)	134	B3_16
IO, LVDS46n, DM0R/(DM1R0/BWS#1R0)	135	B3_17
IO, LVDS46p, /DQ1R8	137	B3_18
IO, LVDS45n, DQ0R7/DQ1R7	138	B3_19
IO, LVDS45p, DQ0R6/DQ1R6	139	B3_20
IO, LVDS44n, DQ0R5/DQ1R5	141	B3_21
IO, LVDS44p, DQ0R4/DQ1R4	142	B3_22
IO, LVDS42n, DQ0R3/DQ1R3	143	B3_23
IO, LVDS42p, DQ0R2/DQ1R2	144	B3_24
IO, VREFB3N0	145	B3_25
IO, LVDS39n, DQ0R1/DQ1R1	146	B3_26
IO, LVDS39p, DQ0R0/DQ1R0	147	B3_27
IO, LVDS38n	149	B3_28
IO, LVDS38p	150	B3_29
IO, PLL2_OUTp	151	B3_30
IO, PLL2_OUTn	152	B3_31

EP2C8Q208C8

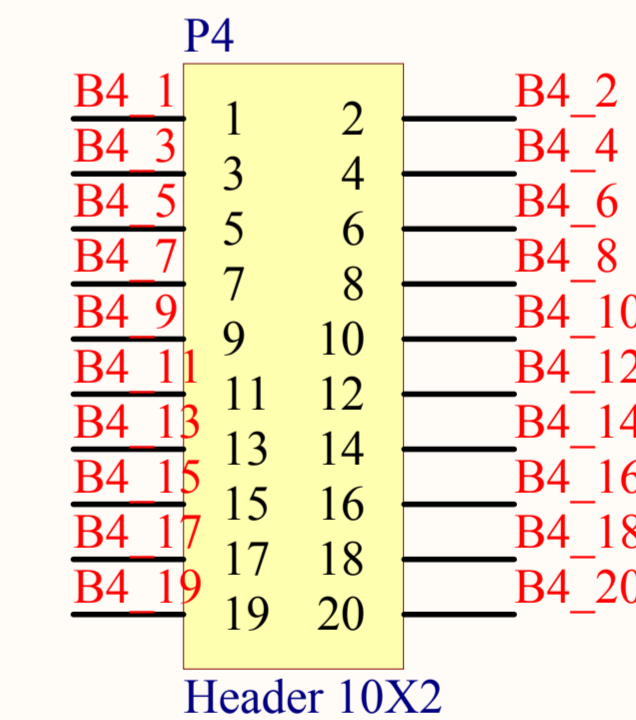
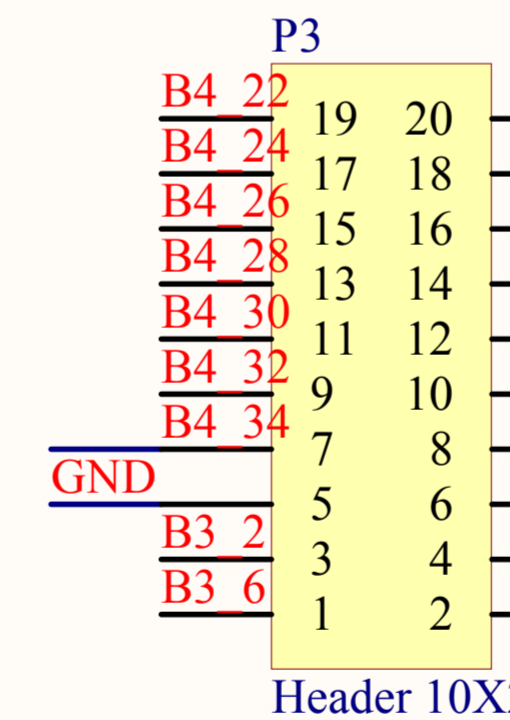


UID

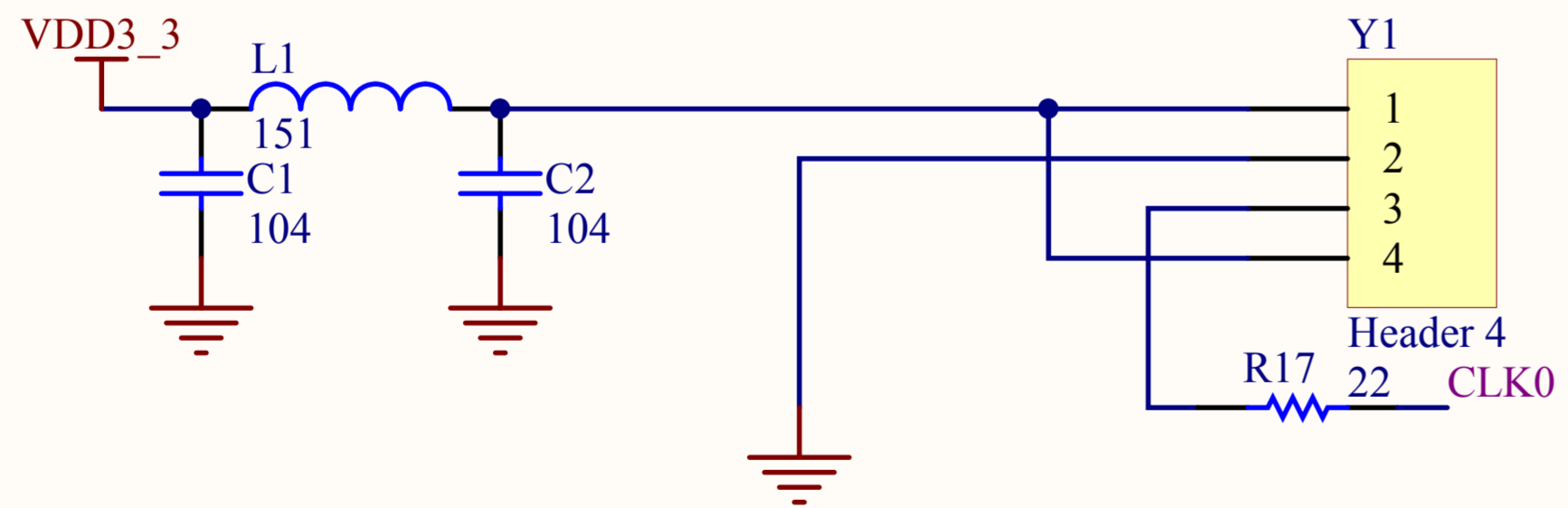
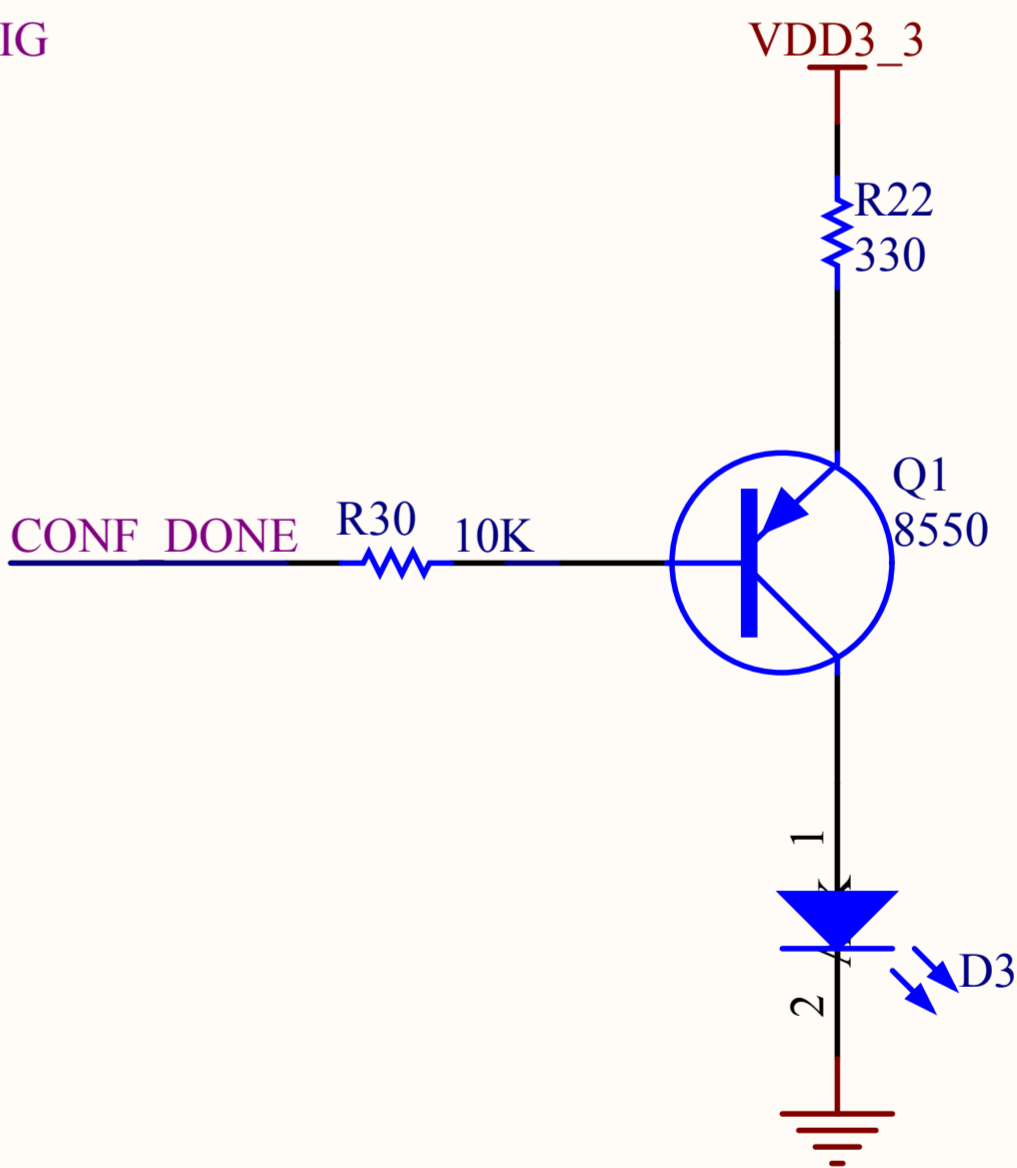
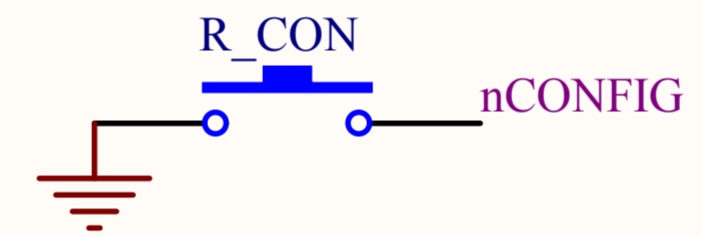
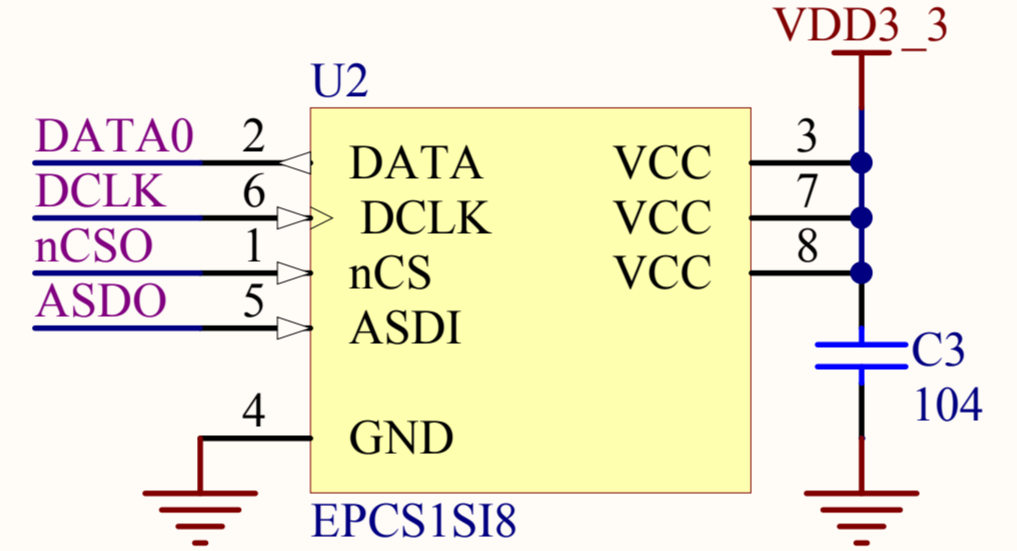
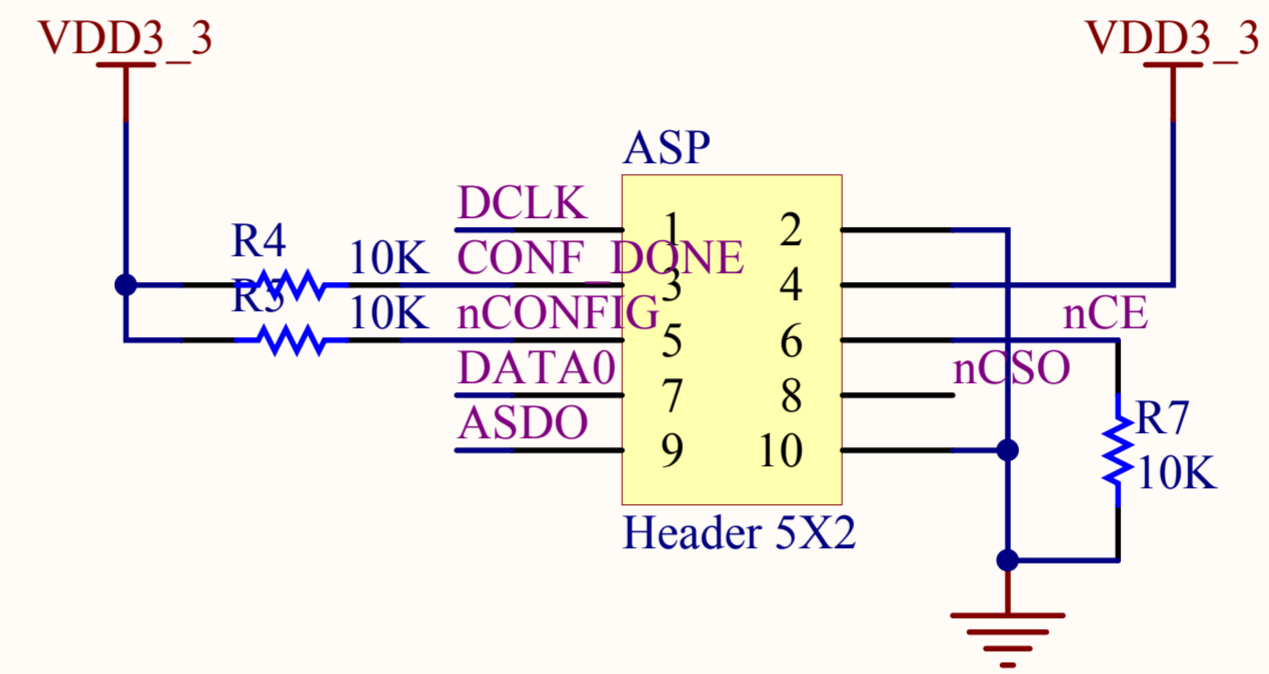
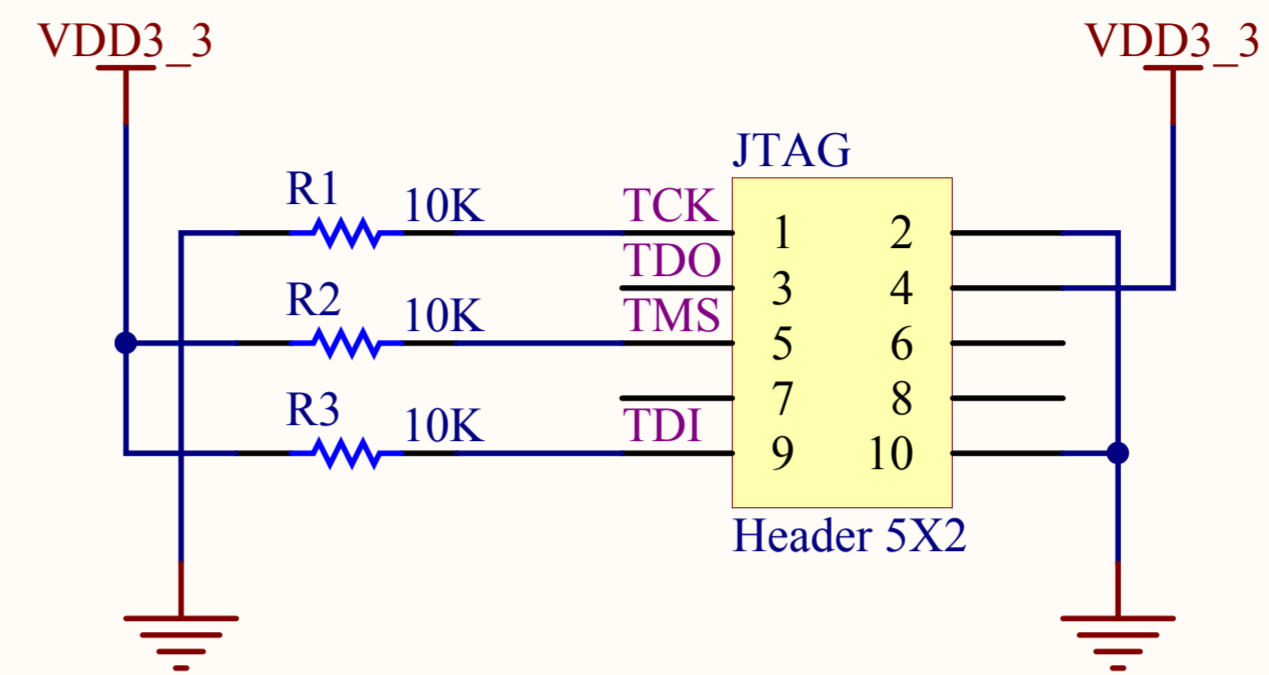
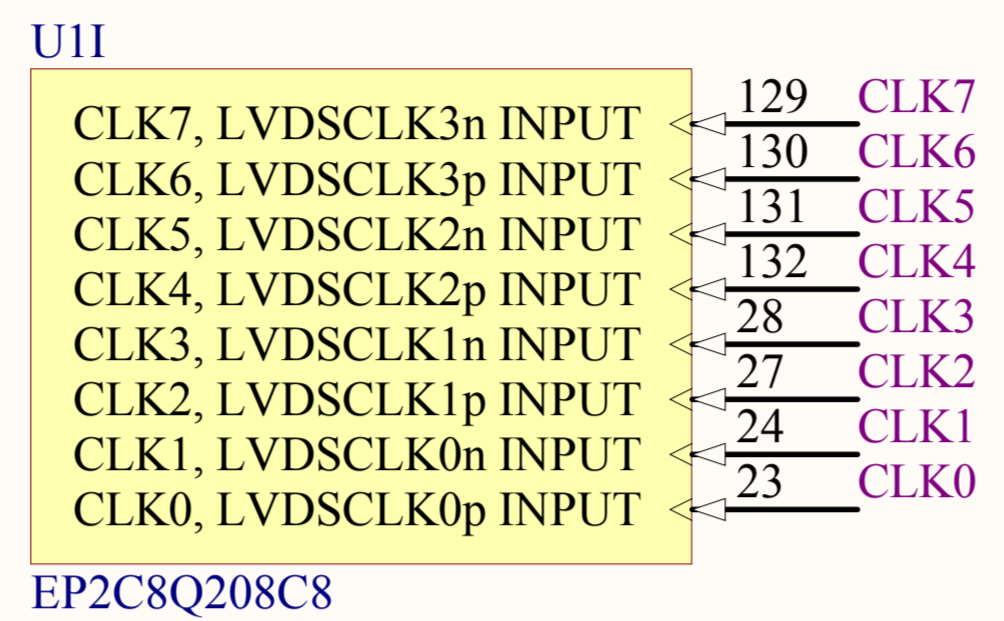
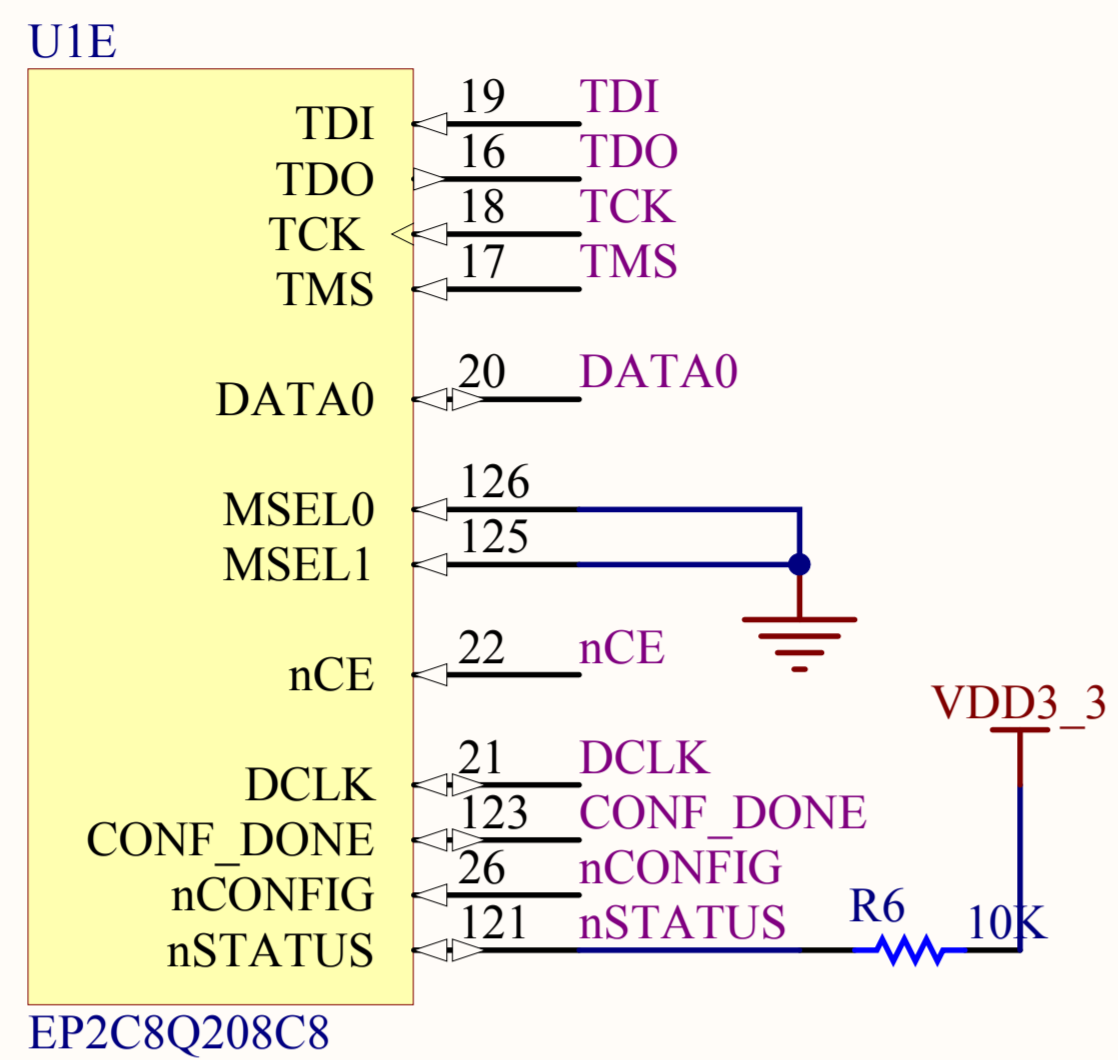
**BANK 4**

IO, LVDS77n (DEV_OE)	56	B4_1
IO, LVDS77p, (DM1B/BWS#1B)/(DM1B1/BWS#1B1)	57	B4_2
IO, LVDS76p, DQ1B8/DQ1B17	58	B4_3
IO, LVDS76n, DQ1B7/DQ1B16	59	B4_4
IO, LVDS75p, DQ1B6/DQ1B15	60	B4_5
IO, LVDS75n, DQ1B5/DQ1B14	61	B4_6
IO, LVDS74p, (DPCLK2/DQS1B)/(DPCLK2/DQS1B)	63	B4_7
IO, LVDS74n	64	B4_8
IO, VREFB4N1	67	B4_9
IO, LVDS70p, DQ1B4/DQ1B13	68	B4_10
IO, LVDS70n, DQ1B3/DQ1B12	69	B4_11
IO, LVDS68p, DQ1B2/DQ1B11	70	B4_12
IO, LVDS68n, DQ1B1/DQ1B10	72	B4_13
IO, LVDS67p, DQ1B0/DQ1B9	74	B4_14
IO, LVDS67n	75	B4_15
IO, LVDS66p	76	B4_16
IO, LVDS66n	77	B4_17
IO	80	B4_18
IO, LVDS64p	81	B4_19
IO, LVDS64n	82	B4_20
IO, LVDS63p, DM0B/(DM1B0/BWS#1B0)	84	B4_21
IO, LVDS63n, /DQ1B8	86	B4_22
IO, LVDS62p, DQ0B7/DQ1B7	87	B4_23
IO, LVDS62n, DQ0B6/DQ1B6	88	B4_24
IO, VREFB4N0	89	B4_25
IO, LVDS61p, DQ0B5/DQ1B5	90	B4_26
IO, LVDS61n, DQ0B4/DQ1B4	92	B4_27
IO, LVDS60p, (DPCLK4/DQS0B)/(DPCLK4/DQS0B)	94	B4_28
IO, LVDS60n	95	B4_29
IO, DQ0B3/DQ1B3	96	B4_30
IO, LVDS59p, DQ0B2/DQ1B2	97	B4_31
IO, LVDS59n, DQ0B1/DQ1B1	99	B4_32
IO, LVDS58p, DQ0B0/DQ1B0	101	B4_33
IO, LVDS58n	102	B4_34
IO, LVDS57p	103	B4_35
IO, LVDS57n	104	B4_36

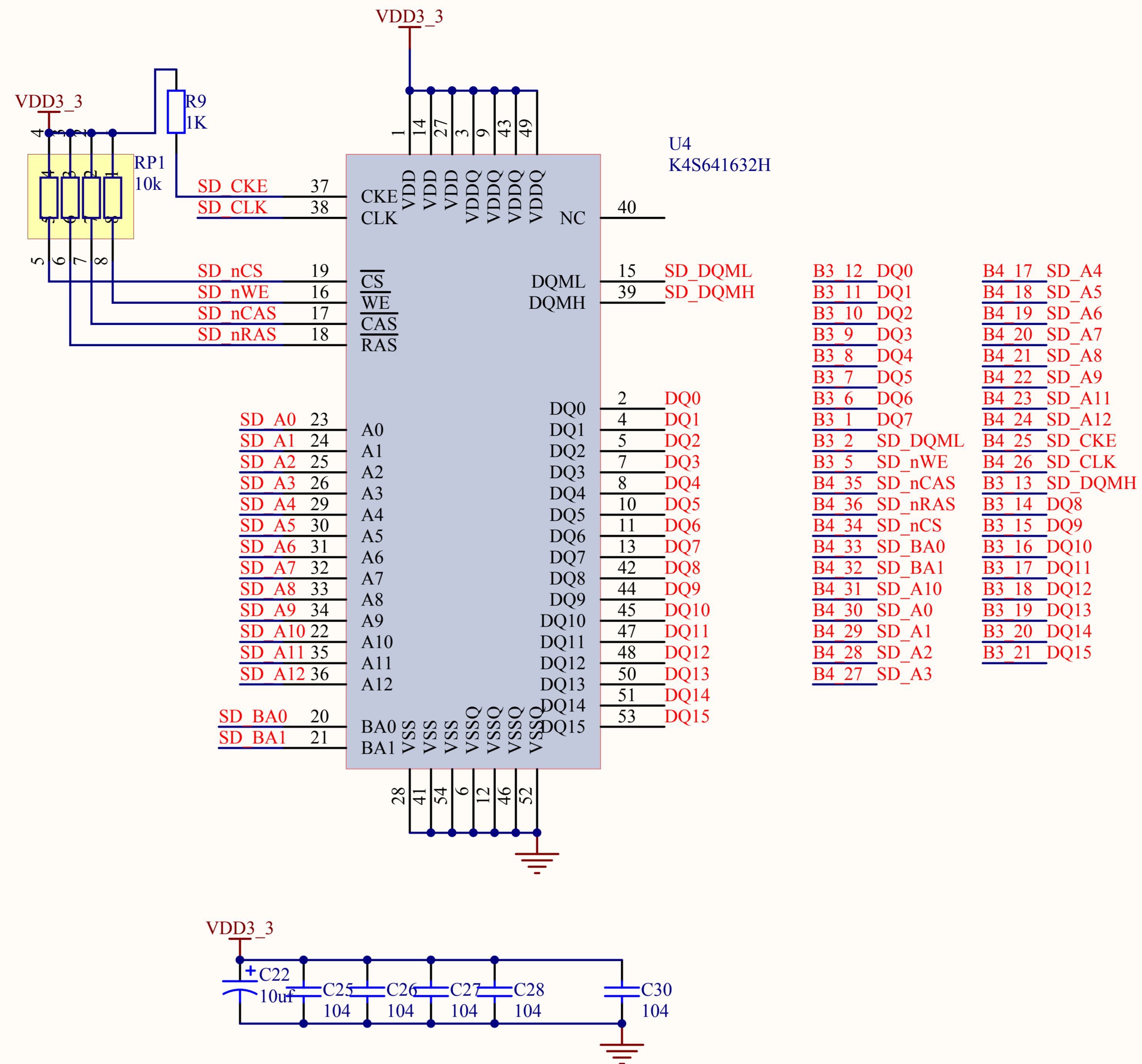
EP2C8Q208C8



Title			<b>bank of NIOS board</b>		
Size	Number		Revision		
A4					
Date:	2009-10-13		Sheet of		
File:	E:\ \.bank.SchDoc		Drawn By:		



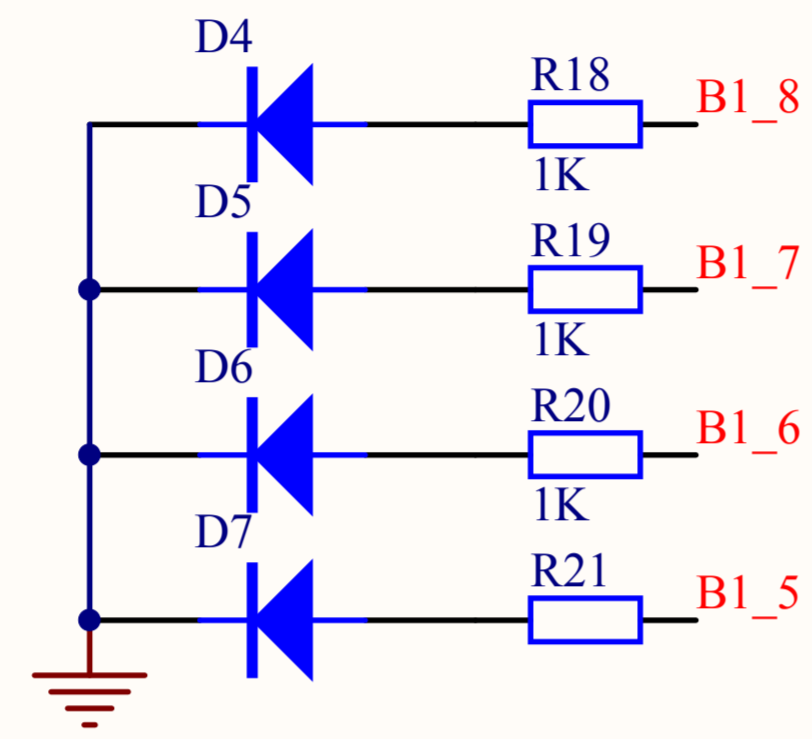
Title		
<b>configure of NIOS board</b>		
Size	Number	Revision
A4		
Date:	2009-10-13	Sheet of
File:	E:\ \. \. \configure.SchDoc	Drawn By:



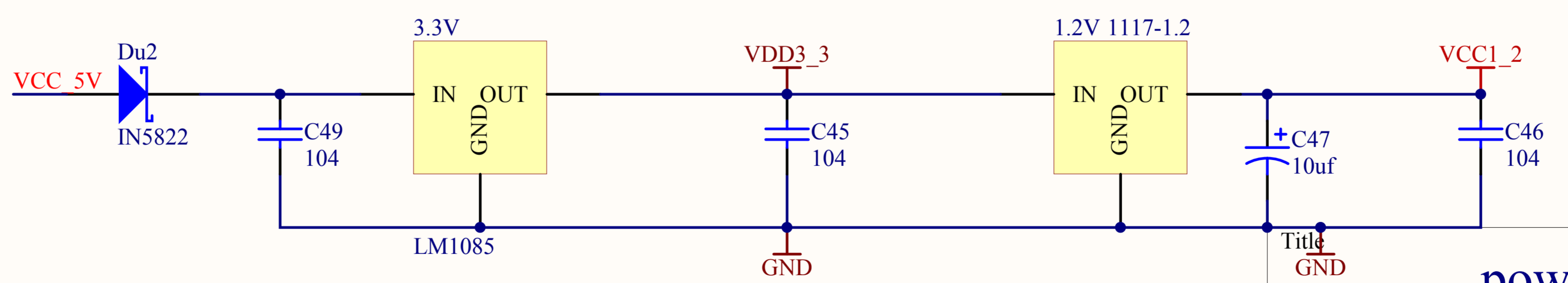
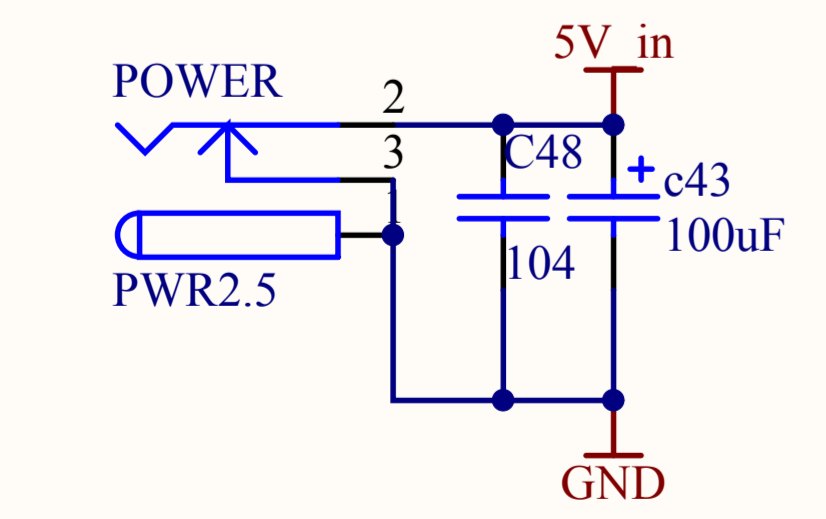
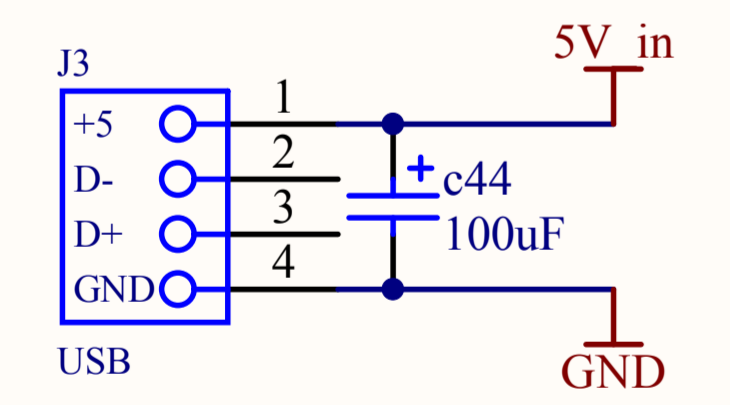
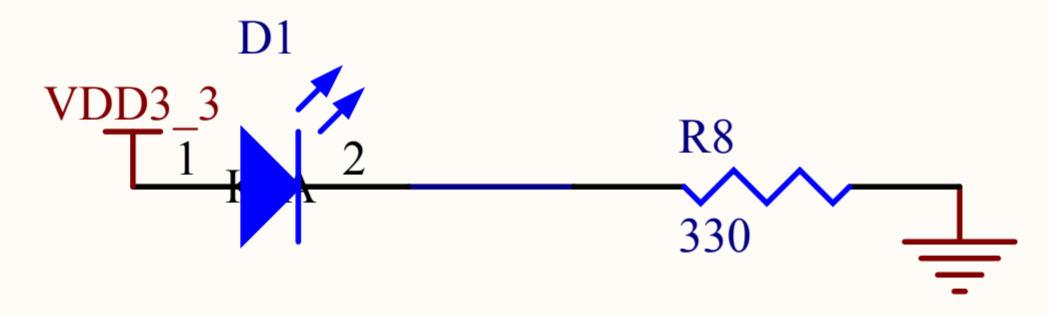
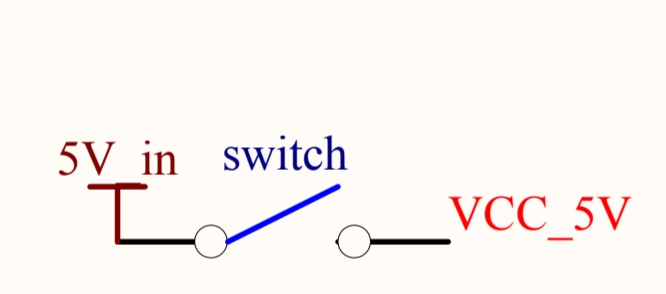
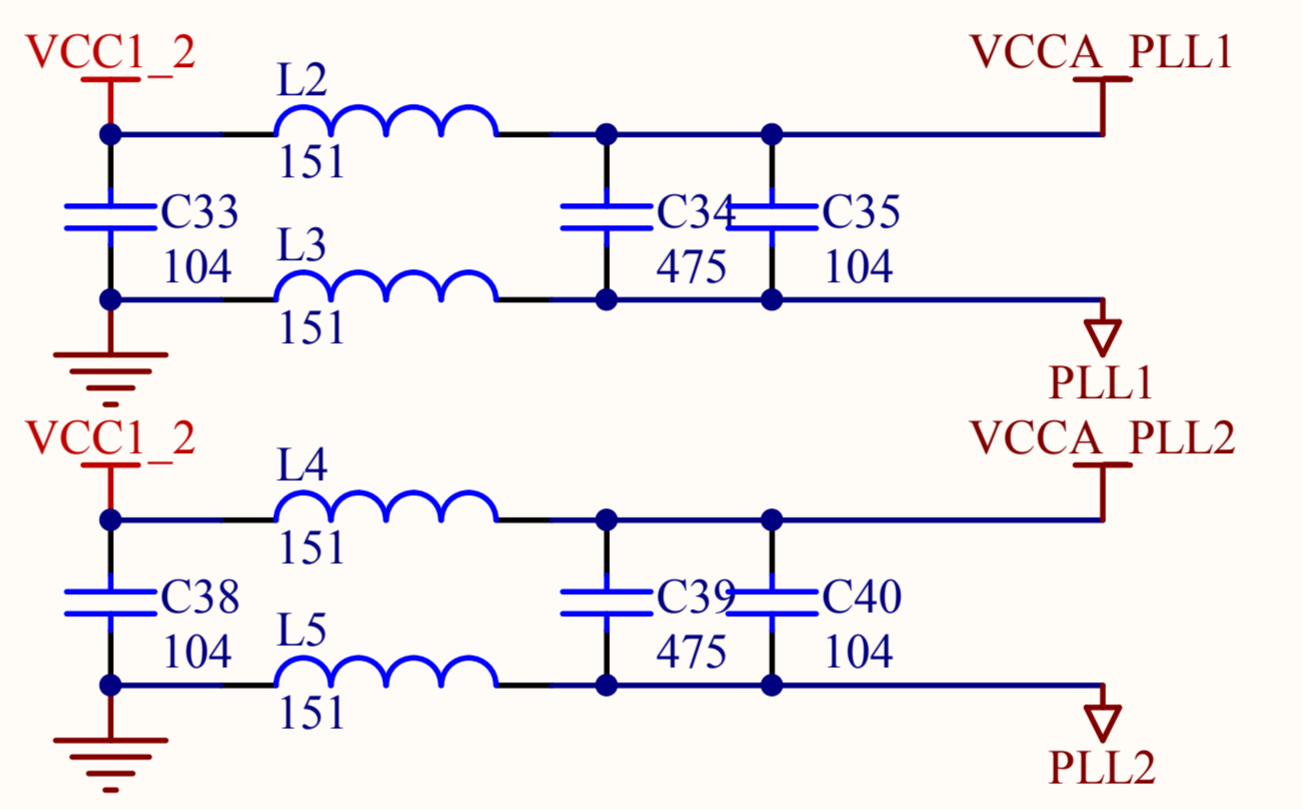
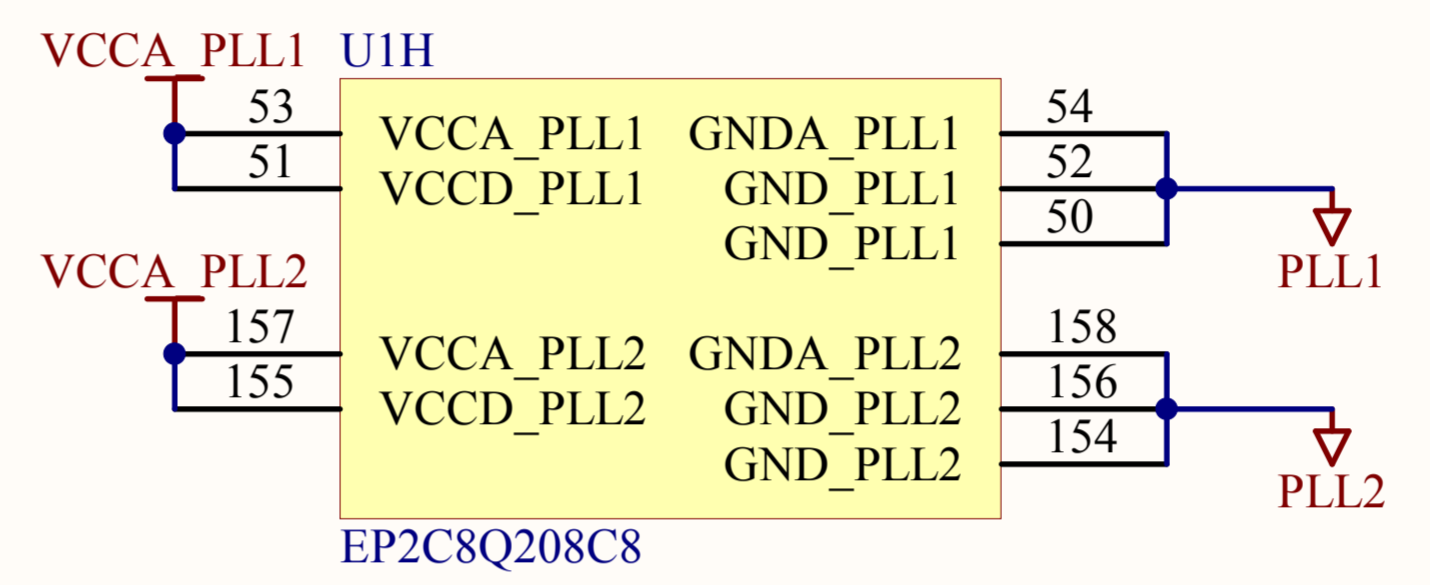
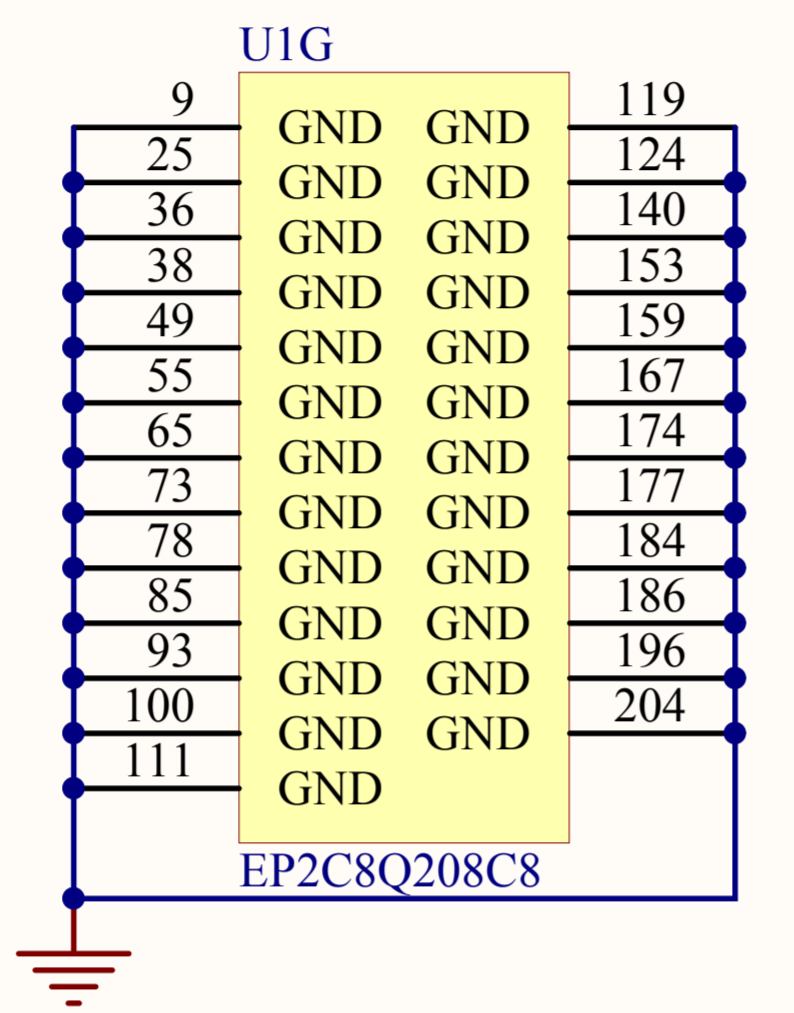
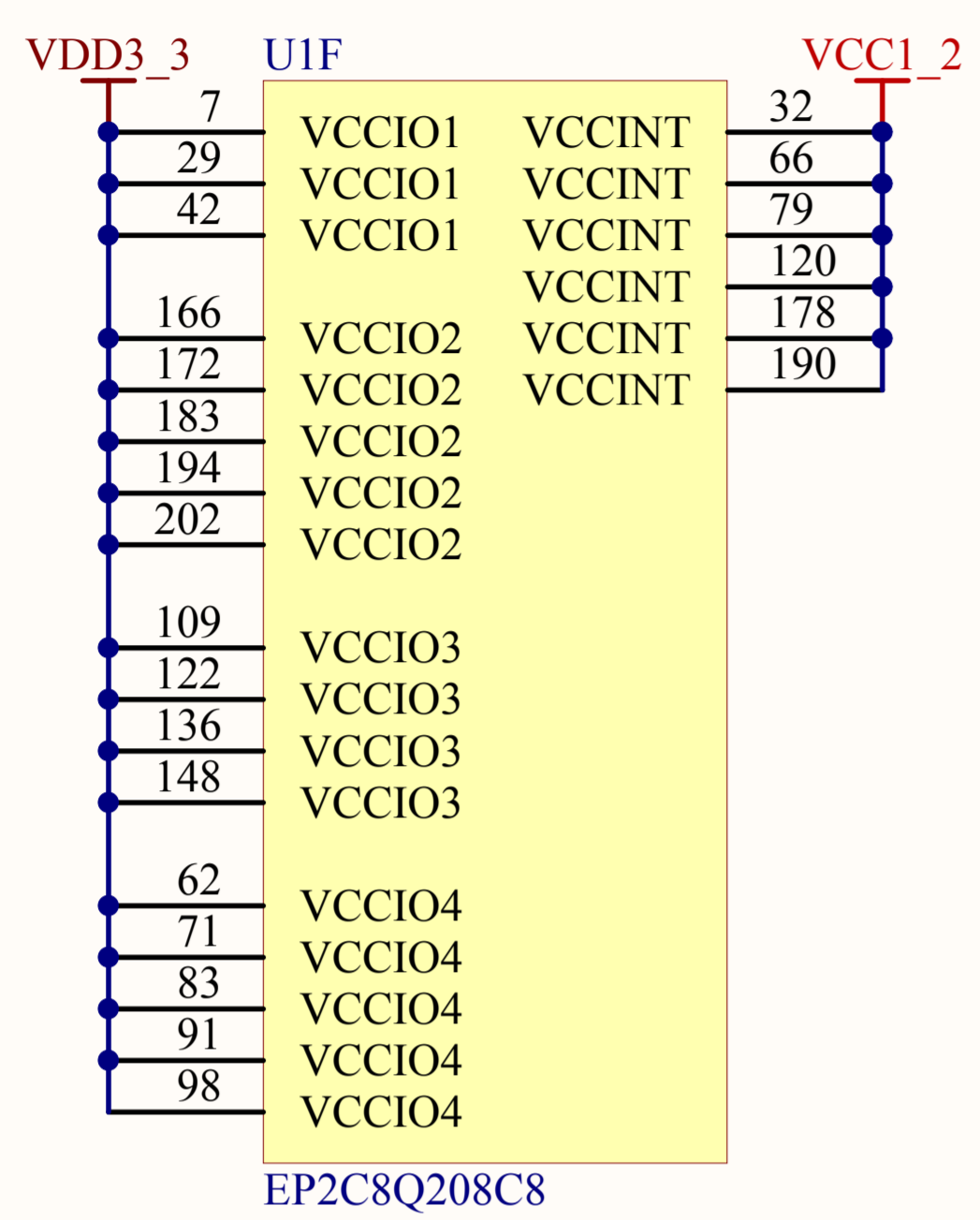
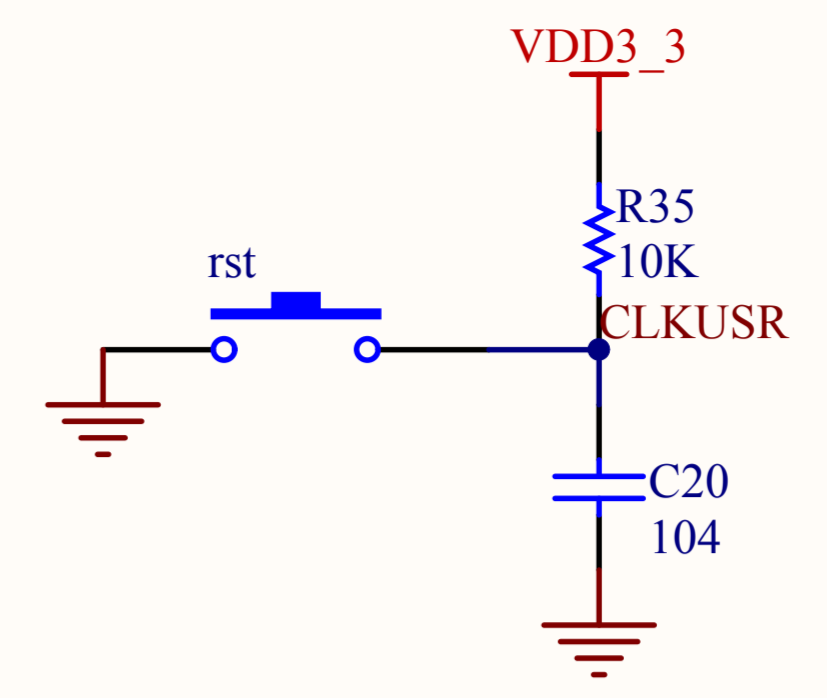
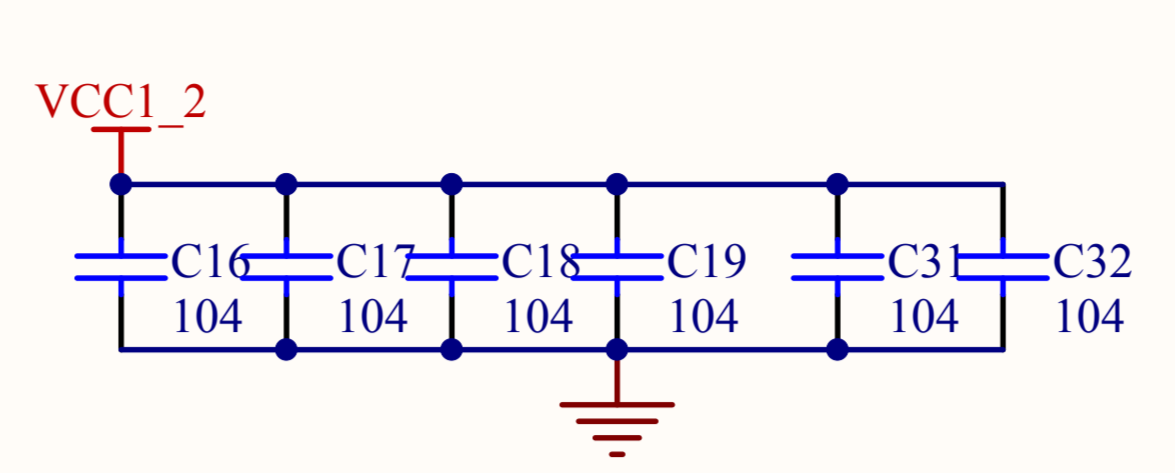
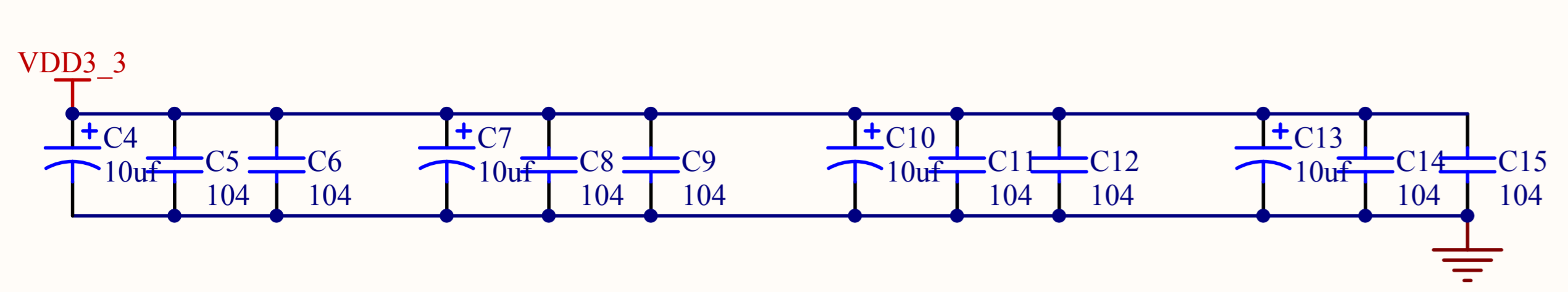
<http://www.amy-studio.com/>

<http://shop33537127.taobao.com/>

Title		
Size	Number	Revision
A4		
Date:	2009-10-13	Sheet of
File:	E:\09-board\NIOS\memory.SchDoc	Drawn By:

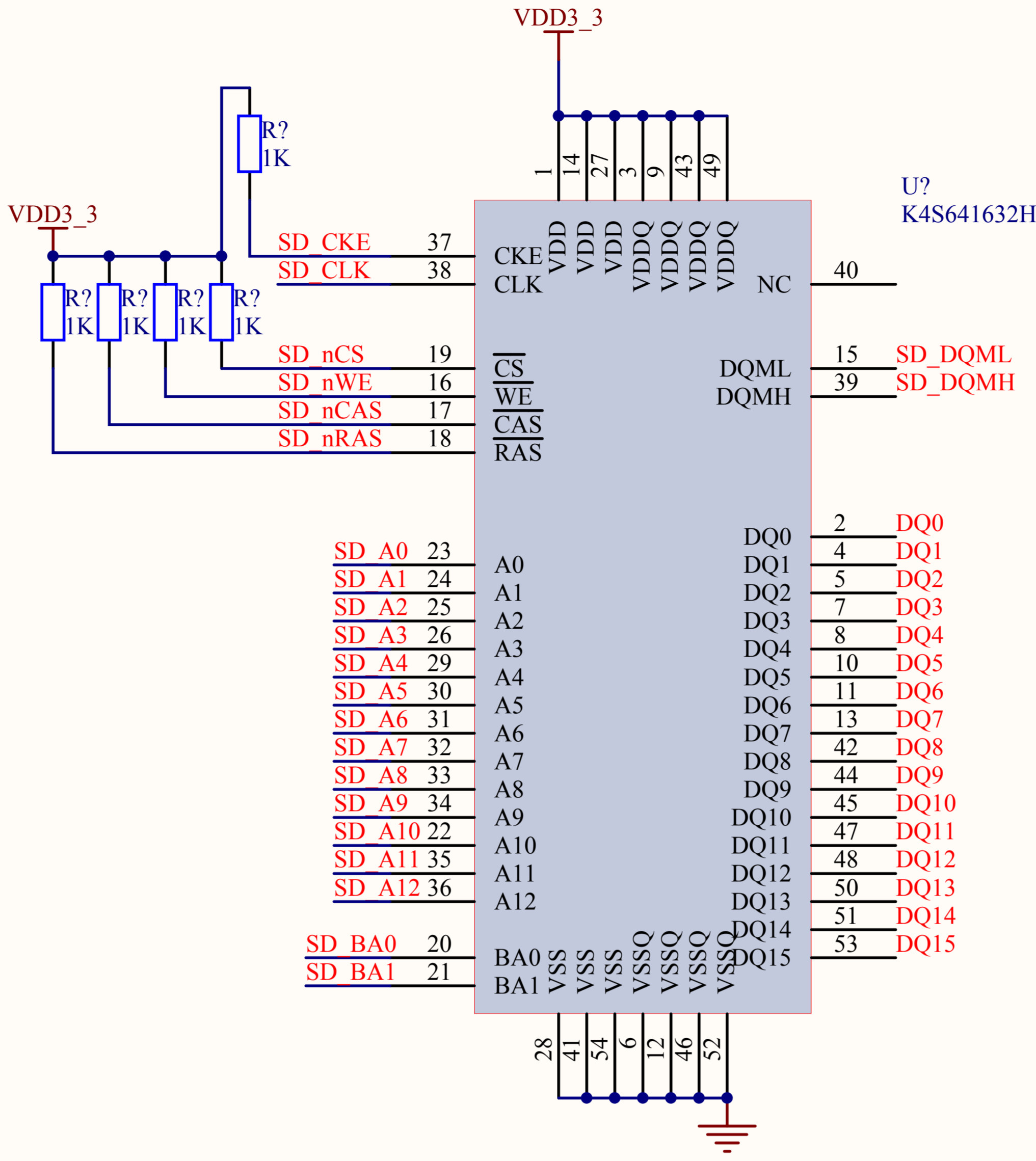
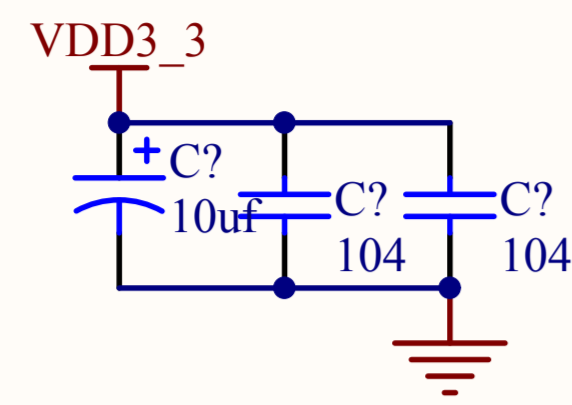


Title		
<b>module of NIOS board</b>		
Size	Number	Revision
A4		
Date:	2009-10-13	Sheet of
File:	E:\ \.module.SchDoc	Drawn By:



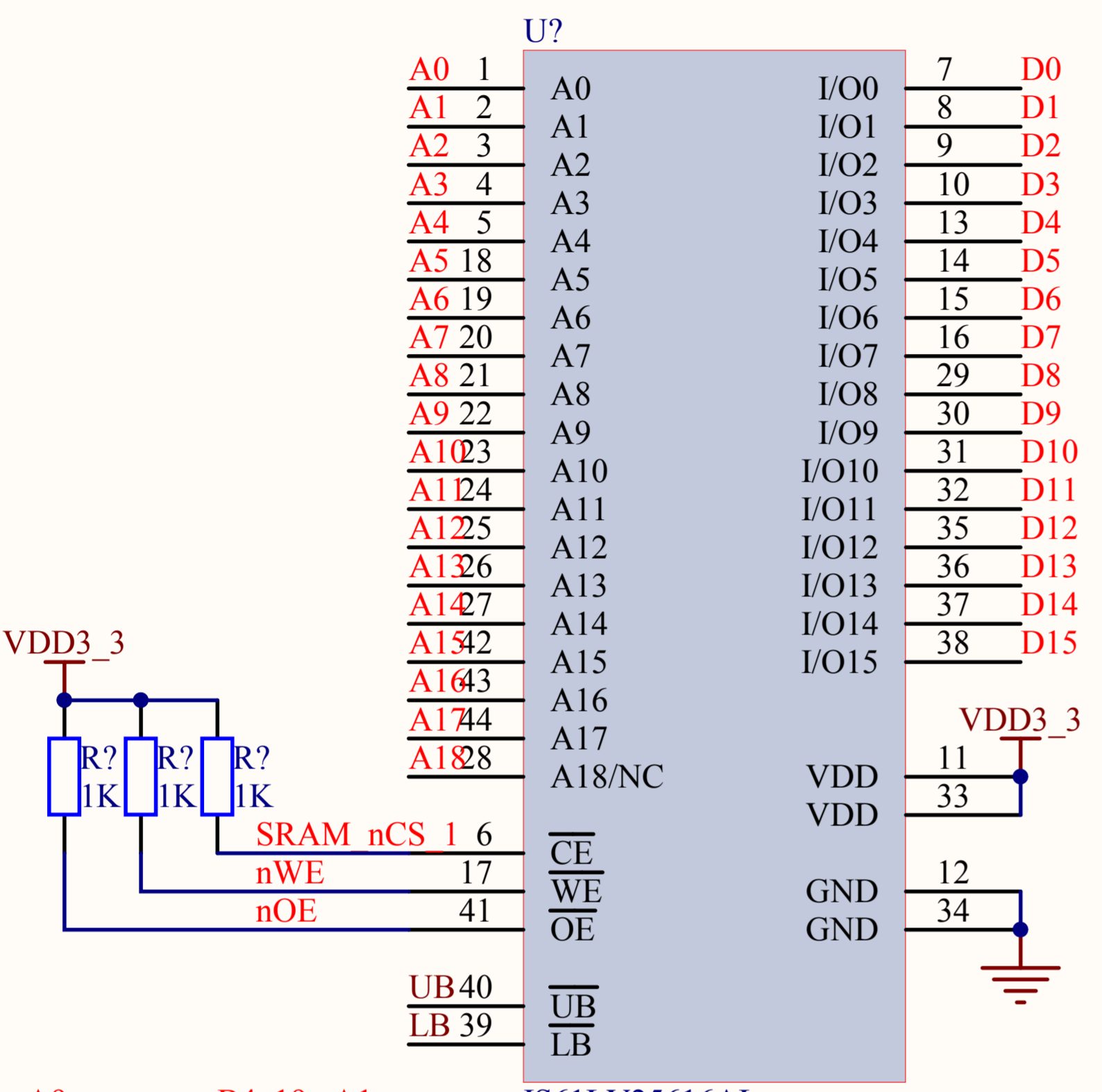
### power of NIOS board

Size	Number	Revision
A4		
Date:	2009-10-13	Sheet of
File:	E:\ \.power.SchDoc	Drawn By:

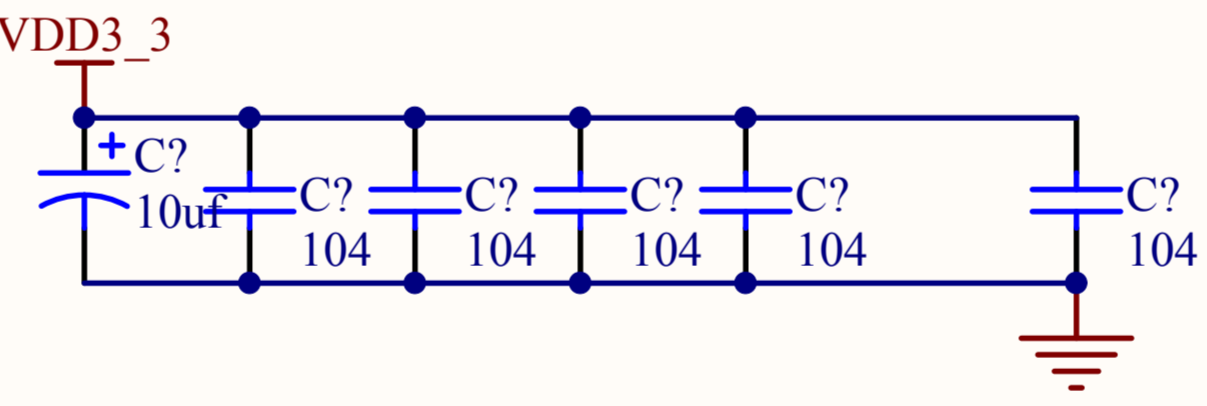
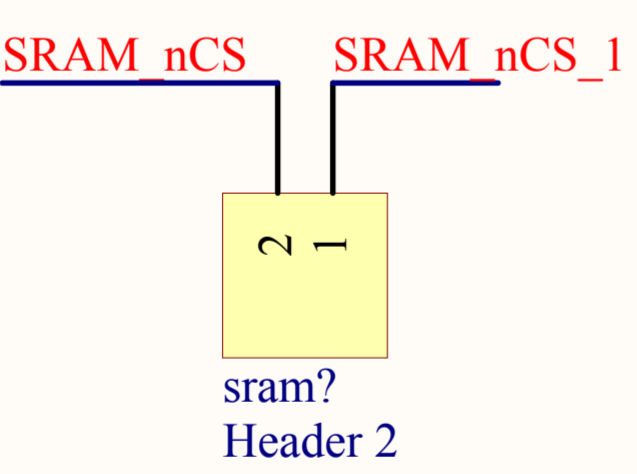


B2 19	SD_A10	B3 27	SD_DQMH
B2 20	SD_BA1	B2 7	DQ8
B2 21	SD_BA0	B2 8	DQ9
B2 22	SD_nCS	B2 9	DQ10
B2 23	SD_nRAS	B2 10	DQ11
B2 24	SD_nCAS	B2 11	DQ12
B2 25	SD_nWE	B2 12	DQ13
B2 26	SD_DQML	B2 13	DQ14
B2 6	SD_A4	B2 14	DQ15
B2 5	SD_A5	B2 27	DQ7
B2 4	SD_A6	B2 28	DQ6
B2 3	SD_A7	B2 29	DQ5
B2 2	SD_A8	B2 30	DQ4
B2 1	SD_A9	B2 31	DQ3
B3 31	SD_A11	B2 32	DQ2
B3 30	SD_A12	B2 34	DQ1
B3 29	SD_CKE	B2 35	DQ0
B3 28	SD_CLK		

SD_A0	B2_15
SD_A1	B2_16
SD_A2	B2_17
SD_A3	B2_18



B4 1	A9	B4 19	A1
B4 2	A8	B4 20	A0
B4 3	A7	B3 6	A10
B4 4	A6	B3 5	A11
B4 5	A5	B3 2	A12
B4 6	nWE	B3 1	A13
B4 7	D7	B4 36	A14
B4 8	D6	B4 35	A18
B4 9	D5	B4 34	D8
B4 10	D4	B4 33	D9
B4 11	D3	B4 32	D10
B4 12	D2	B4 31	D11
B4 13	D1	B4 30	D12
B4 14	D0	B4 29	D13
B4 15	SRAM_nCS	B4 21	A17
B4 16	A4	B4 22	A16
B4 17	A3	B4 23	A15
B4 18	A2	B4 24	nOE
B4 26	LB	B4 25	UB
B4 27	D15	B4 28	D14



Title			Memory of NIOS board		
Size	Number		Revision		
A4					
Date:	2009-10-13		Sheet of		
File:	E:\ \.memory.SchDoc		Drawn By:		