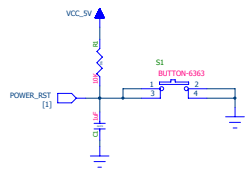
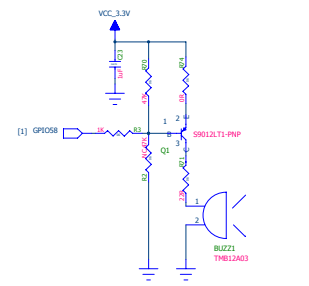


12V/5V POWER



RESET

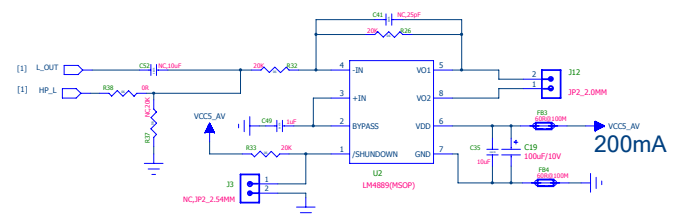
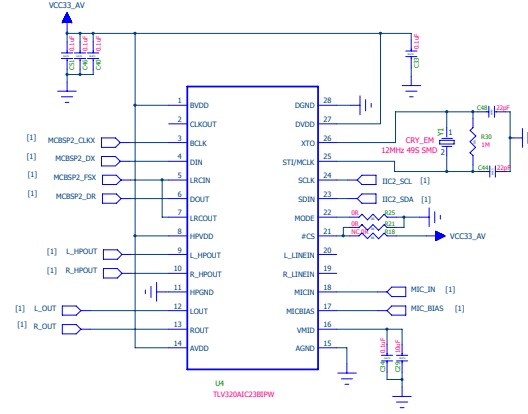
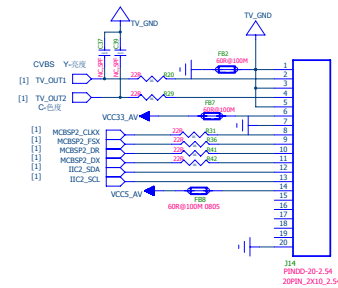
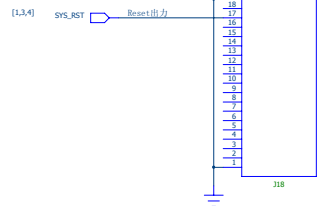
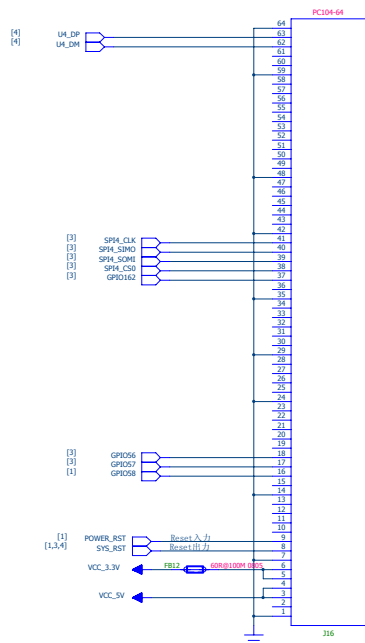


SPEAKER 封装C、E极待更正。

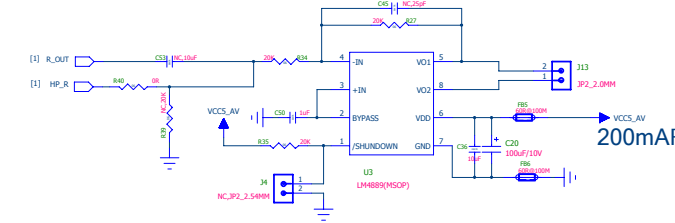


POWER LED

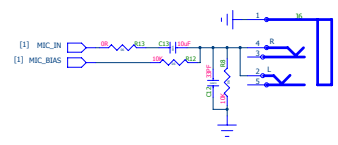
PC104



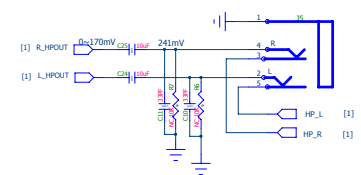
AV



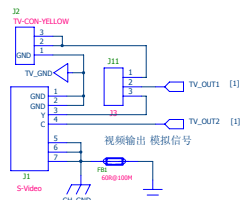
MIC



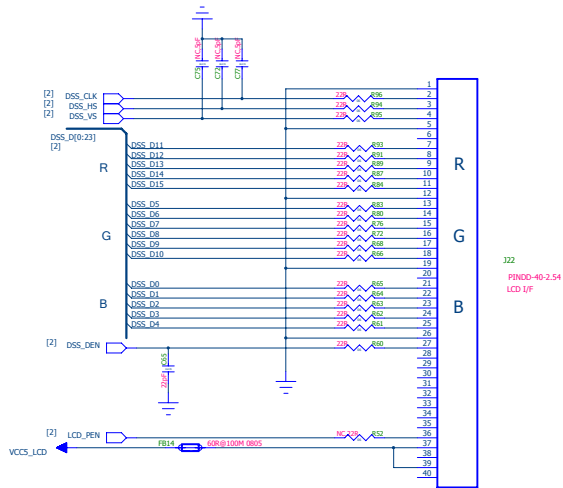
EAR_PHONE



TV_OUT

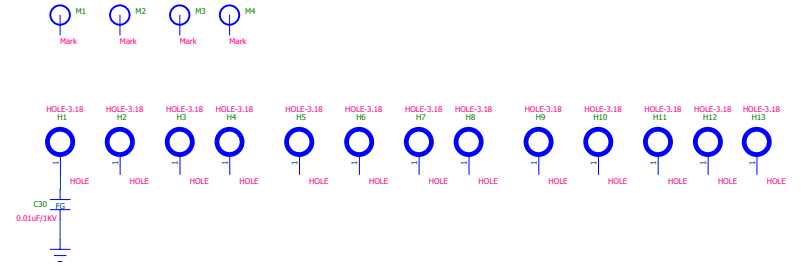


SVIDEO

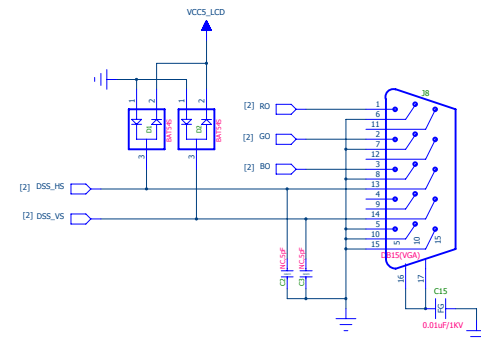
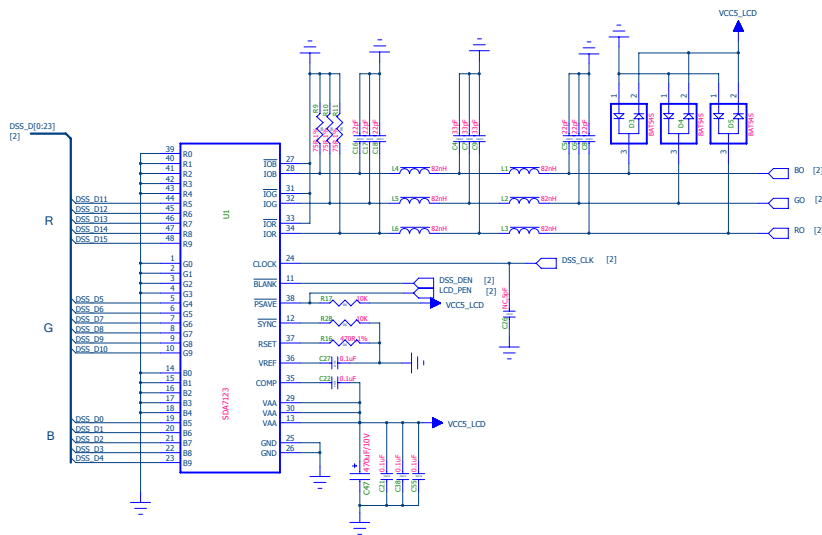


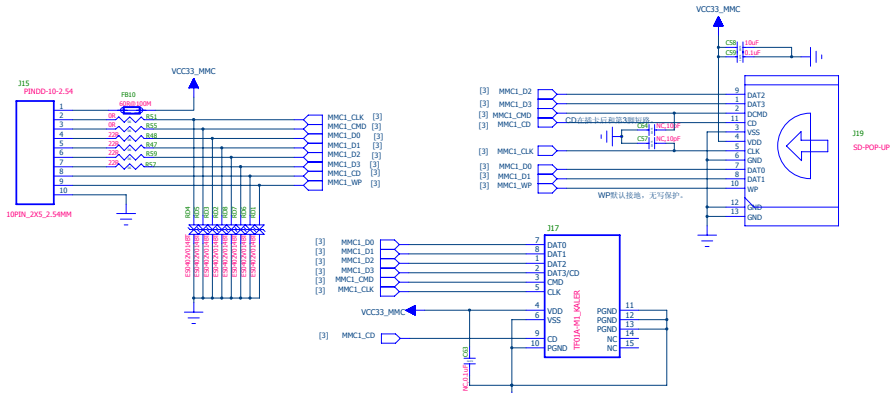
122
PINDD-40-2.54
LCD I/F

LCD Interface

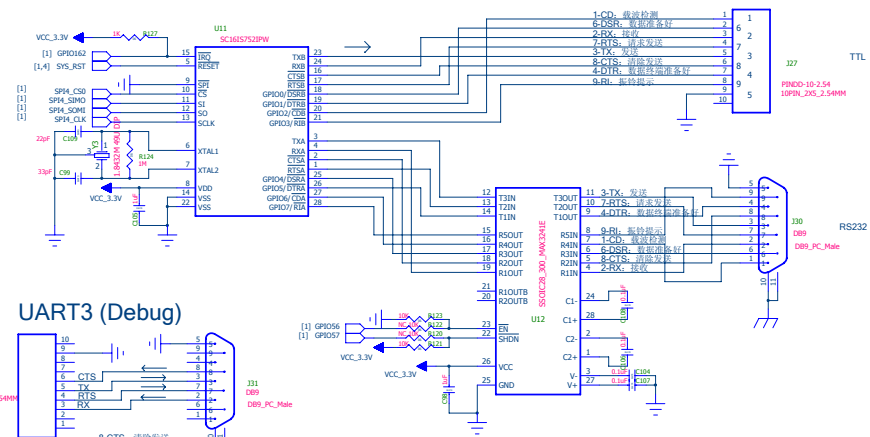


VGA



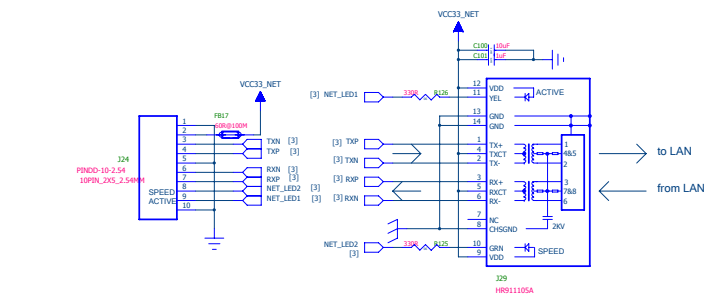
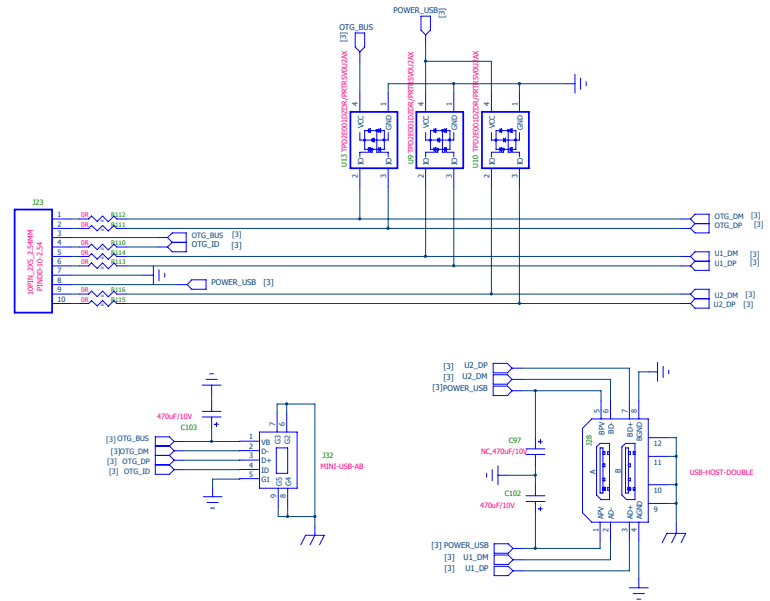


SD/MMC

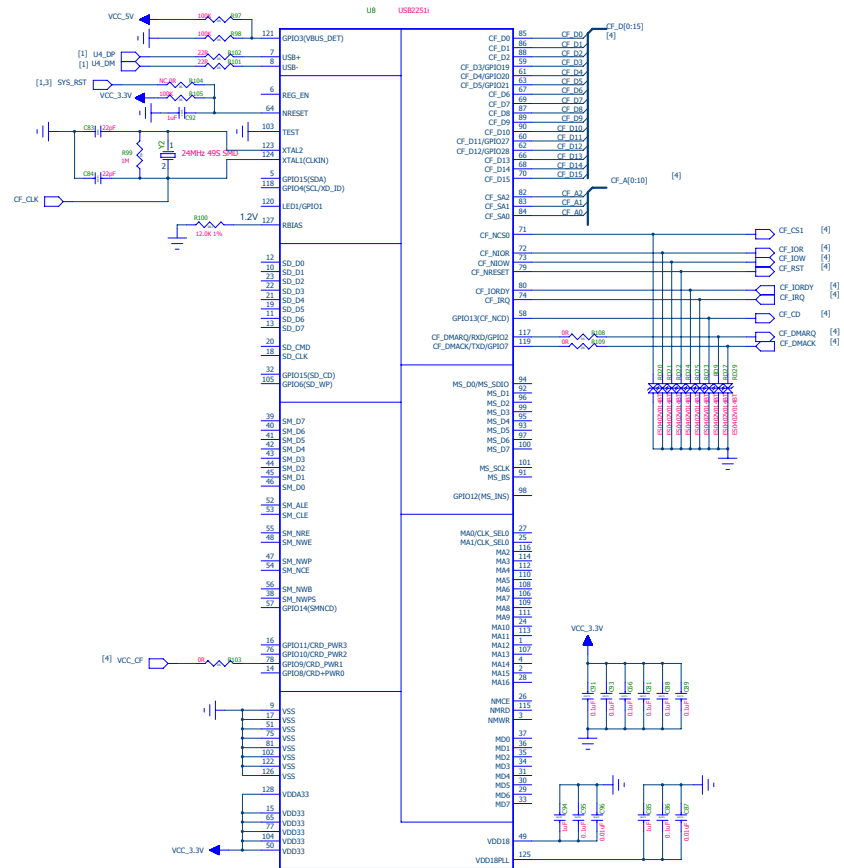


COM

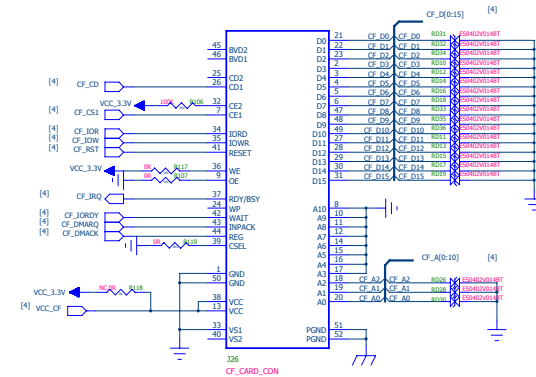
USB



LAN



USB TO CF CARD



CF CARD INTERFACE