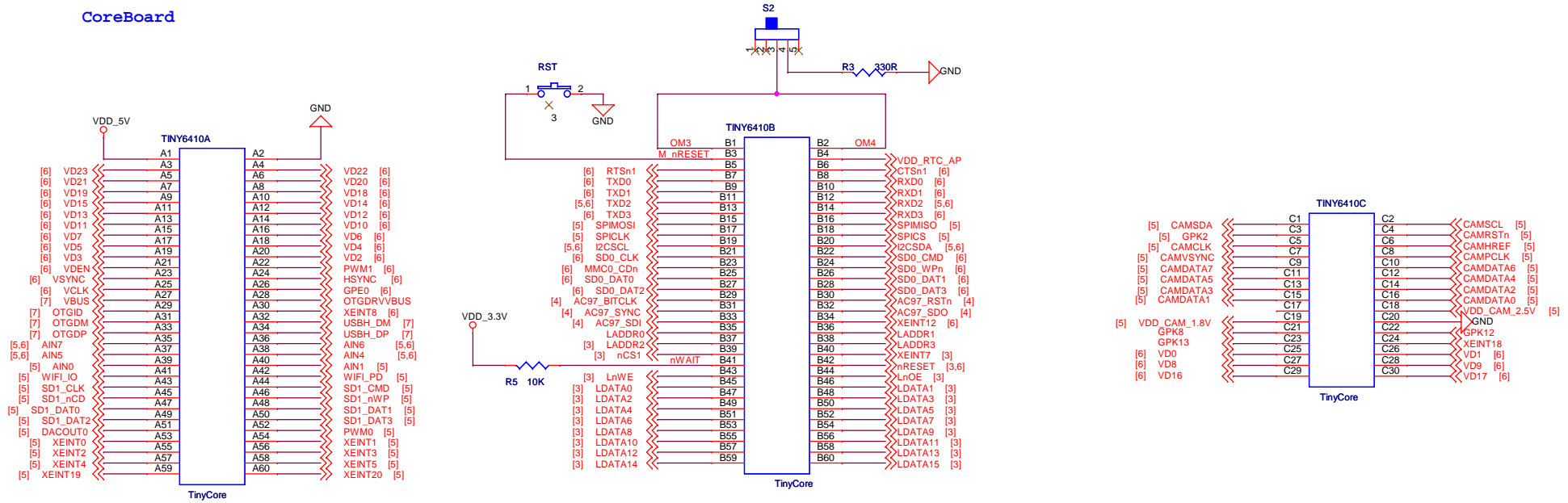
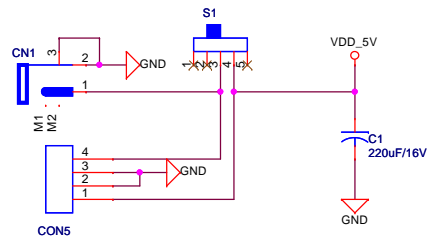


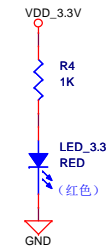
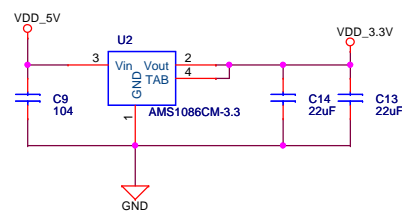
### CoreBoard



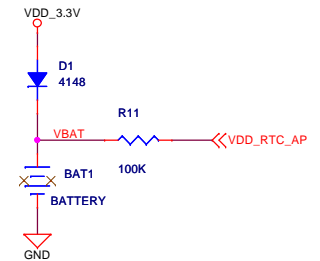
### 5V Power In



### 3.3V Power Supply

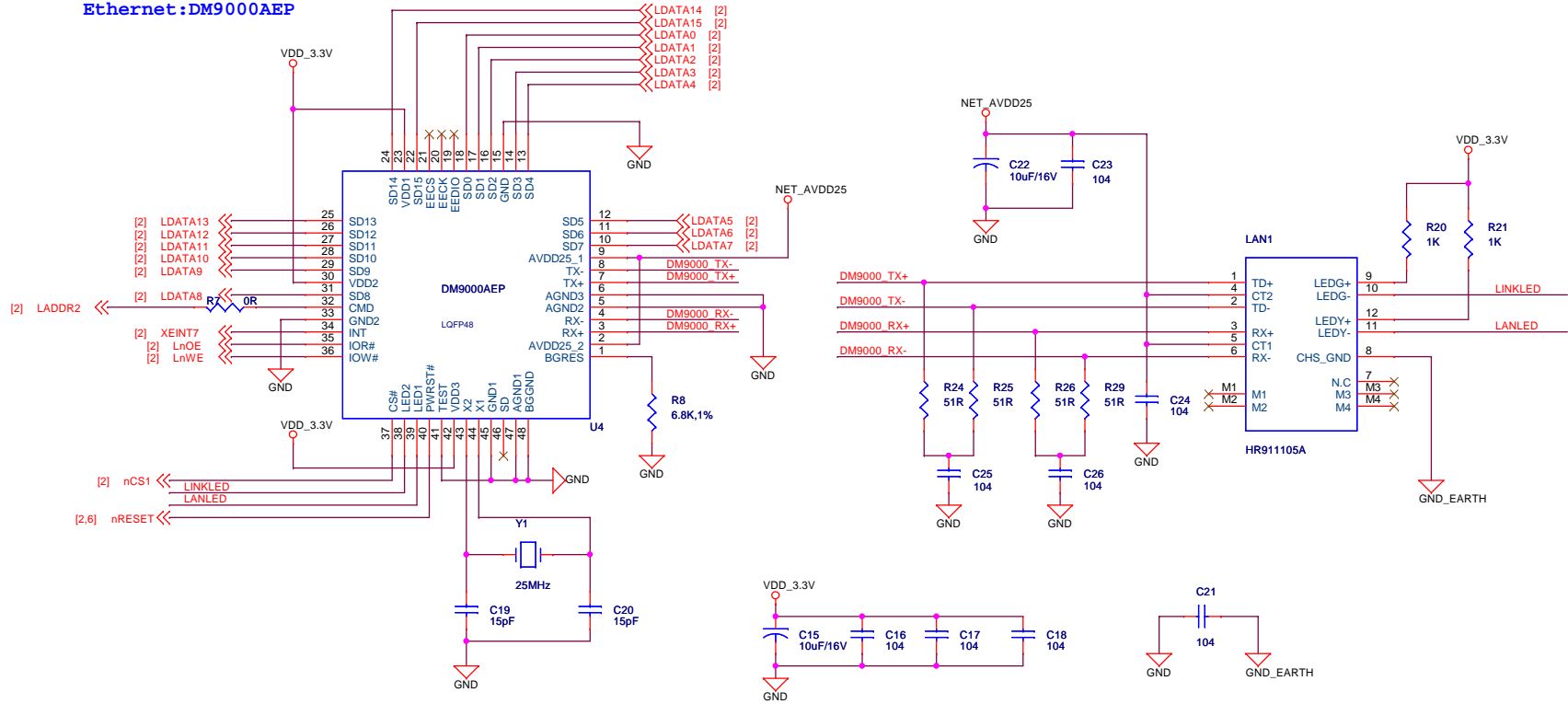


### RTC

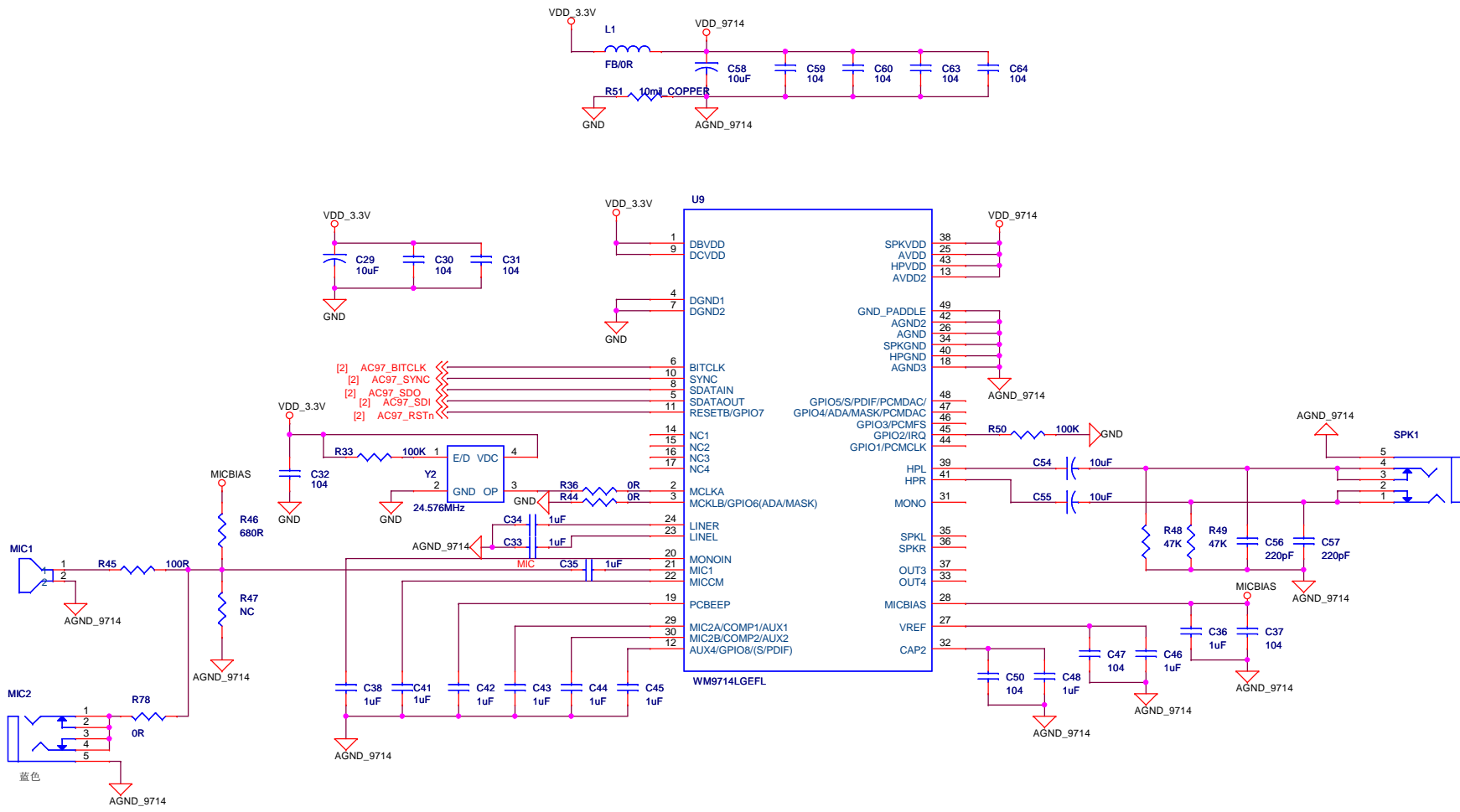


FriendlyARM		
Title		
Size A3	Document Number	Rev
Date: Monday, September 03, 2012	Sheet 1	of 8

**Ethernet:DM9000AEP**

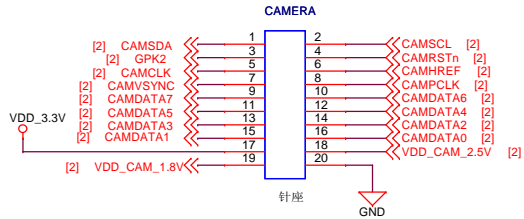


FriendlyARM		
Title		
Size A3	Document Number DM9000	Rev
Date: Monday, September 03, 2012	Sheet 2	of 8

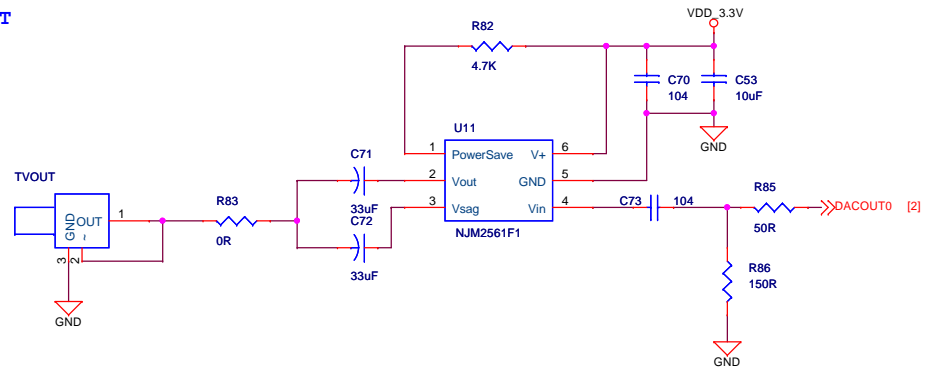


Title		
<Title>		
Size	Document Number	Rev
A3	<Doc>	
Date:	Monday, September 03, 2012	Sheet 3 of 8

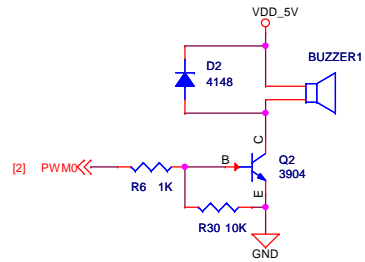
### Camera



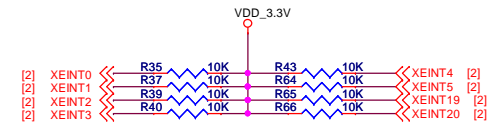
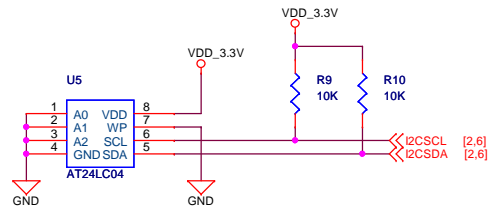
### TVOUT



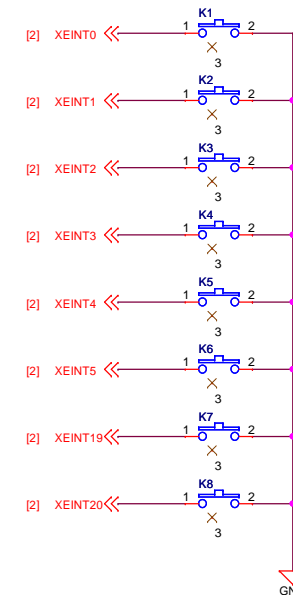
### PWM Buzzer



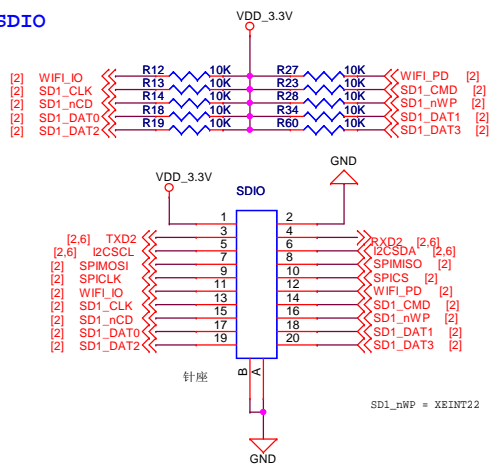
### I2C-Eeprom



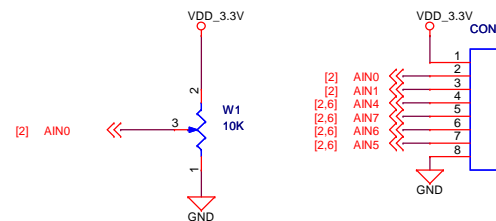
### Buttons



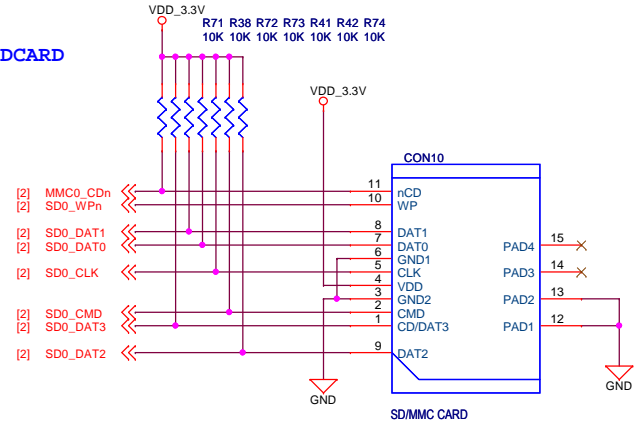
### SDIO



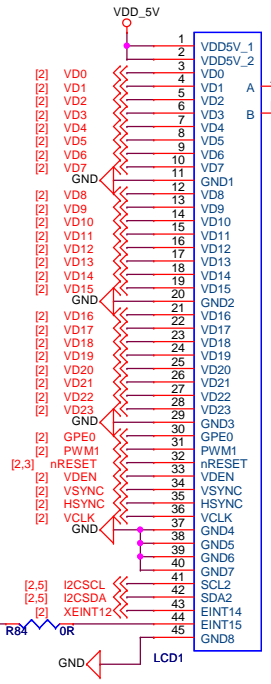
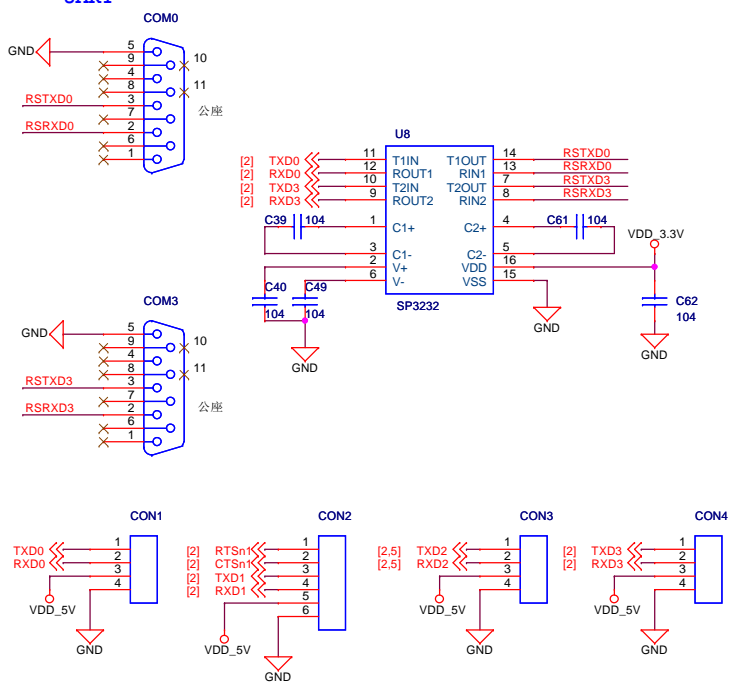
### AD-Convert



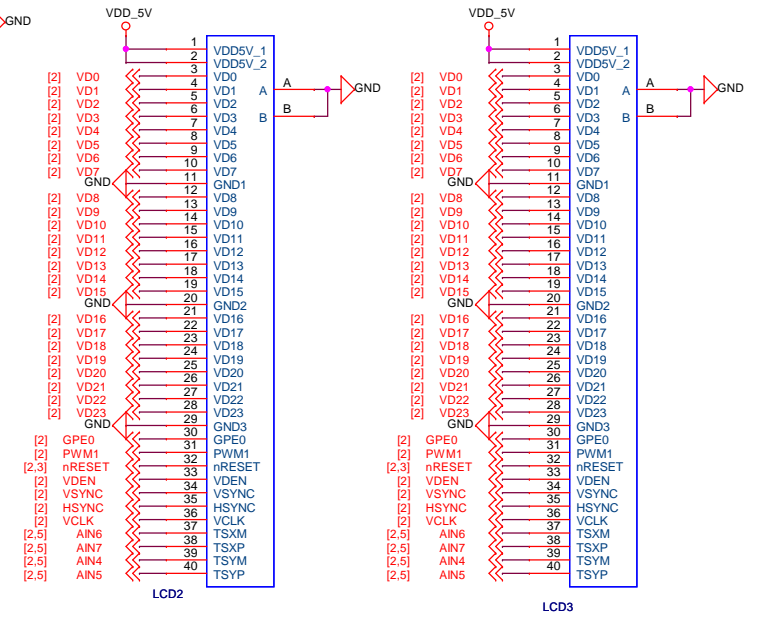
**SDCARD**



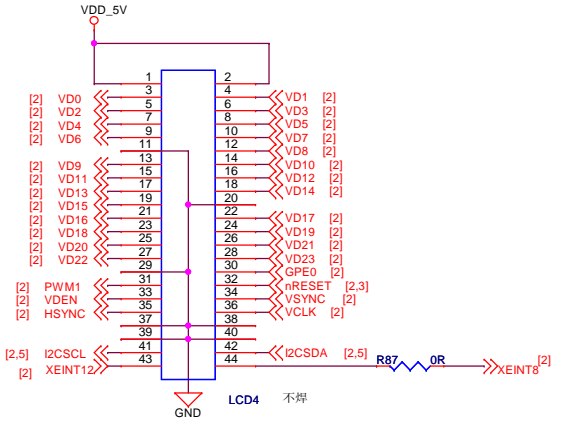
**UART**



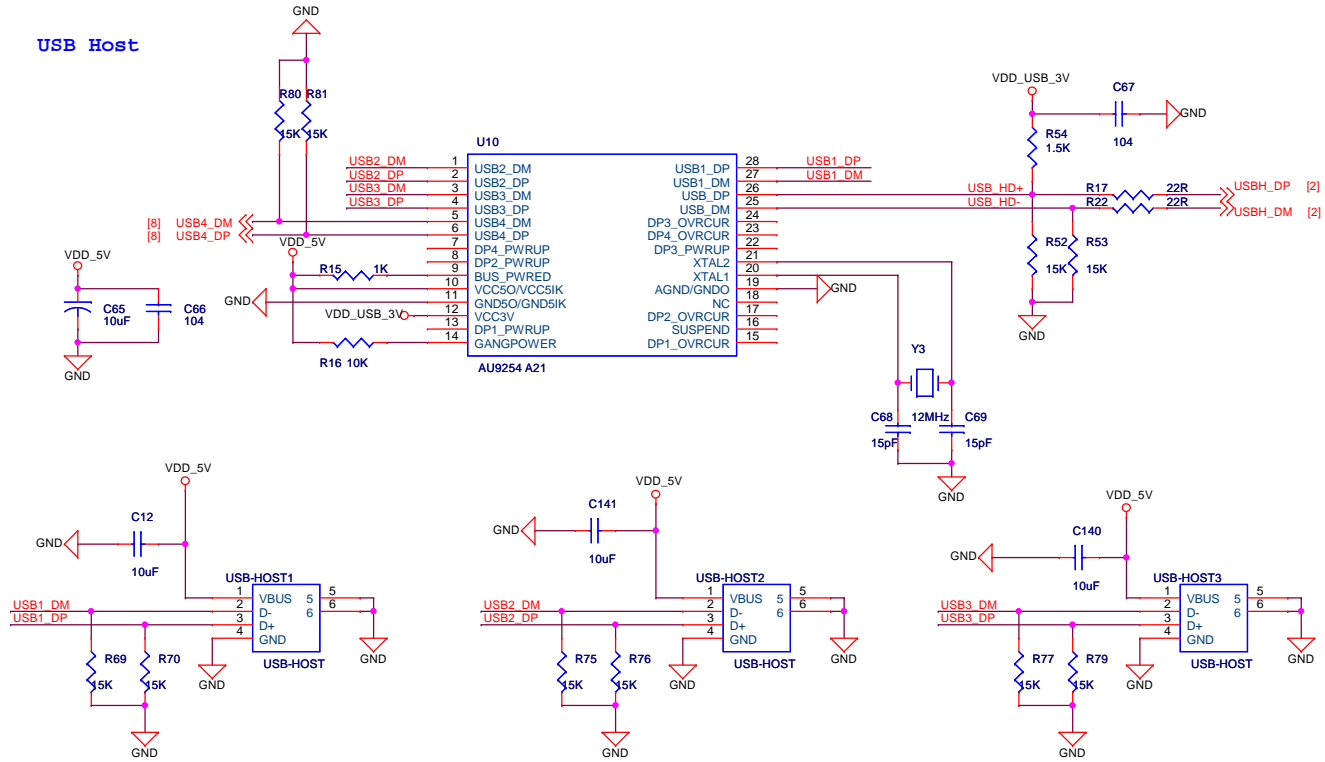
**LCD**



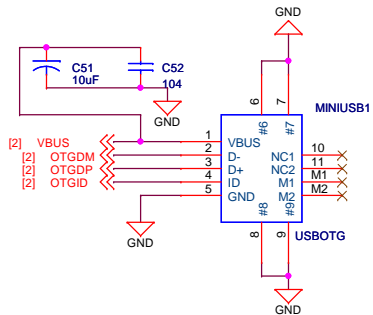
AIN4--TSYM  
AIN5--TSYP  
AIN6--TSXM  
AIN7--TSXP



### USB Host

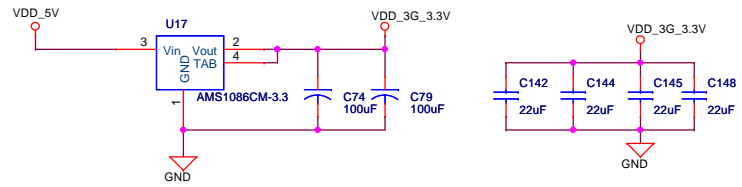
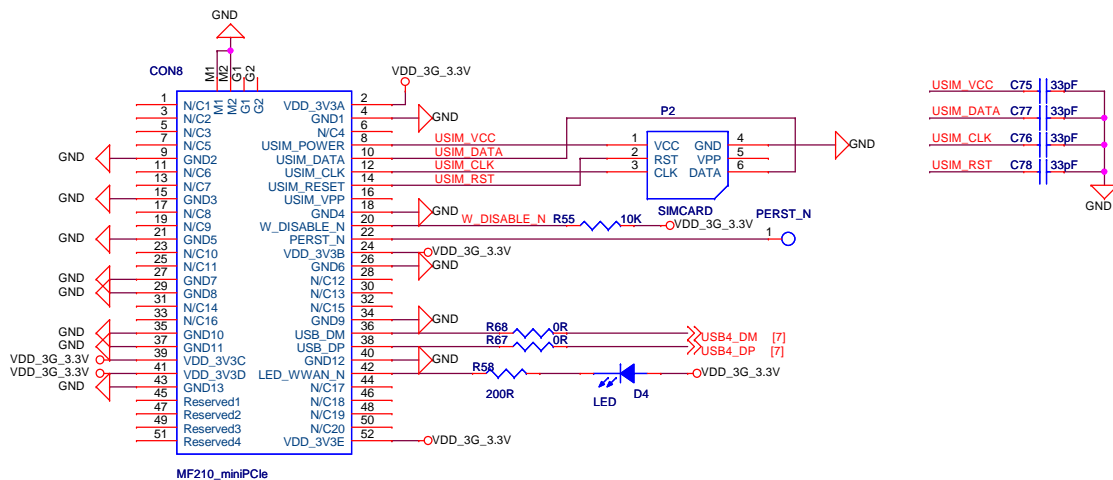


### USB Slave



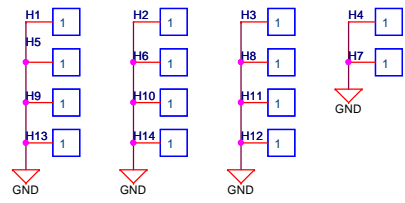
Title	<Title>	
Size	Document Number	Rev
A3	<Doc>	
Date:	Monday, September 03, 2012	Sheet 6 of 8

3G



Title		
<Title>		
Size	Document Number	Rev
A3	<Doc>	
Date:	Monday, September 03, 2012	Sheet 7 of 8

HOLES



Title		
Size A3	Document Number	Rev
Date:	Monday, September 03, 2012	Sheet 8 of 8