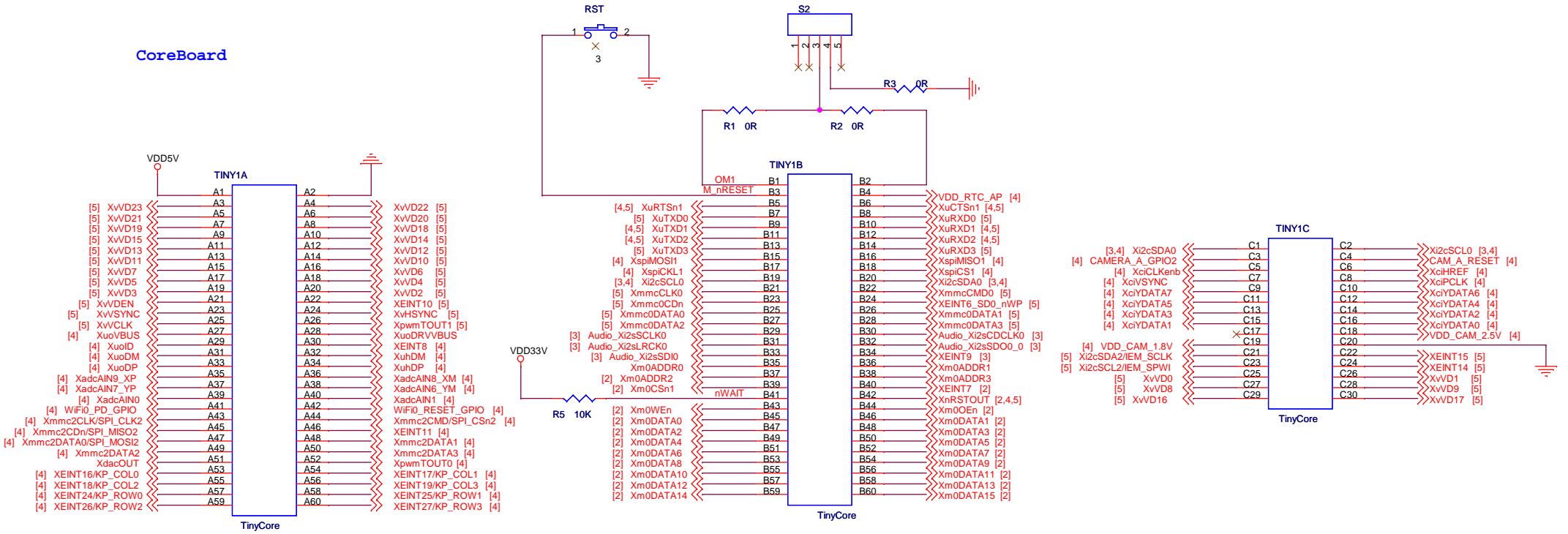
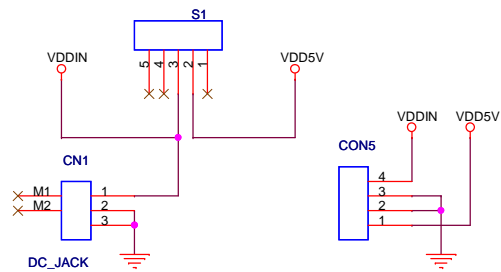


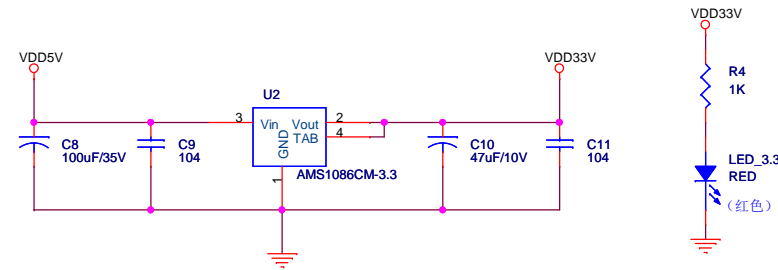
### CoreBoard



### 5V Power In

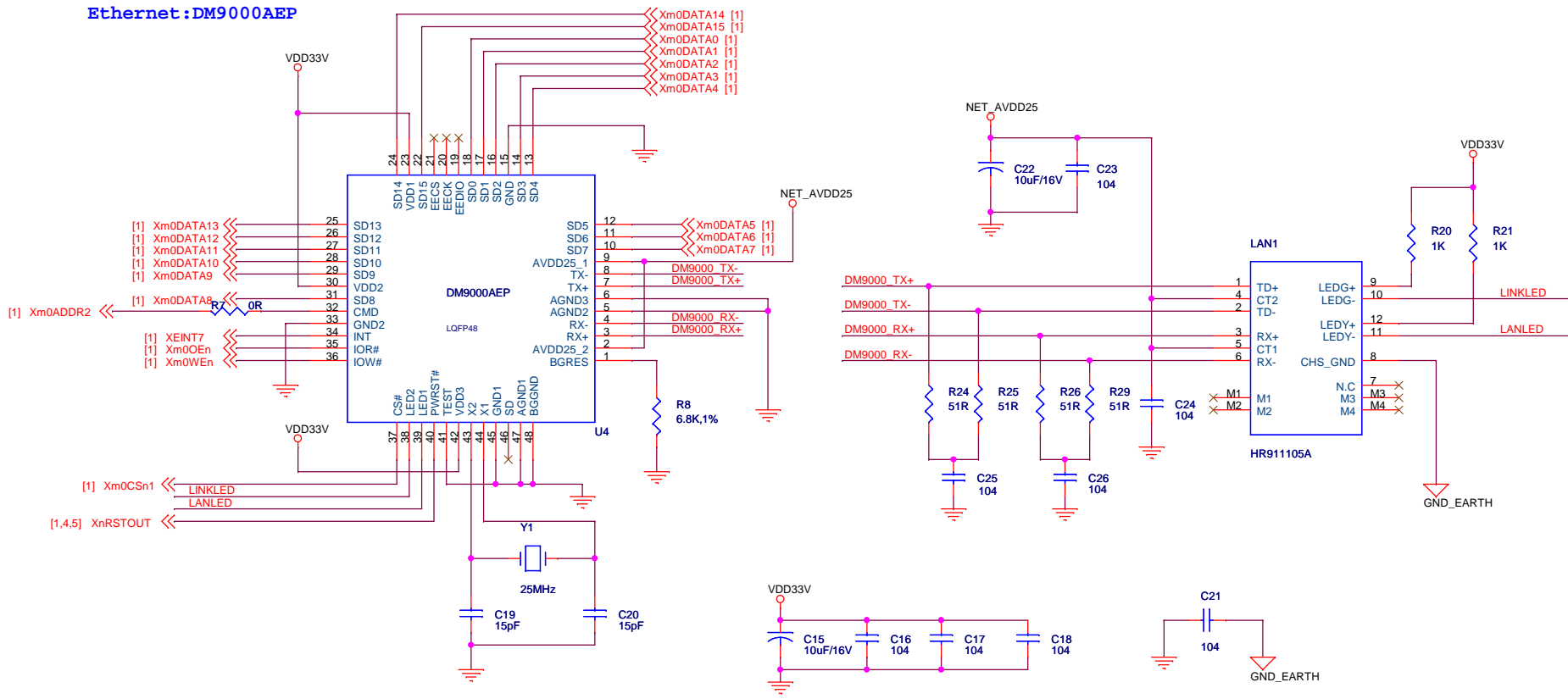


### 3.3V Power Supply



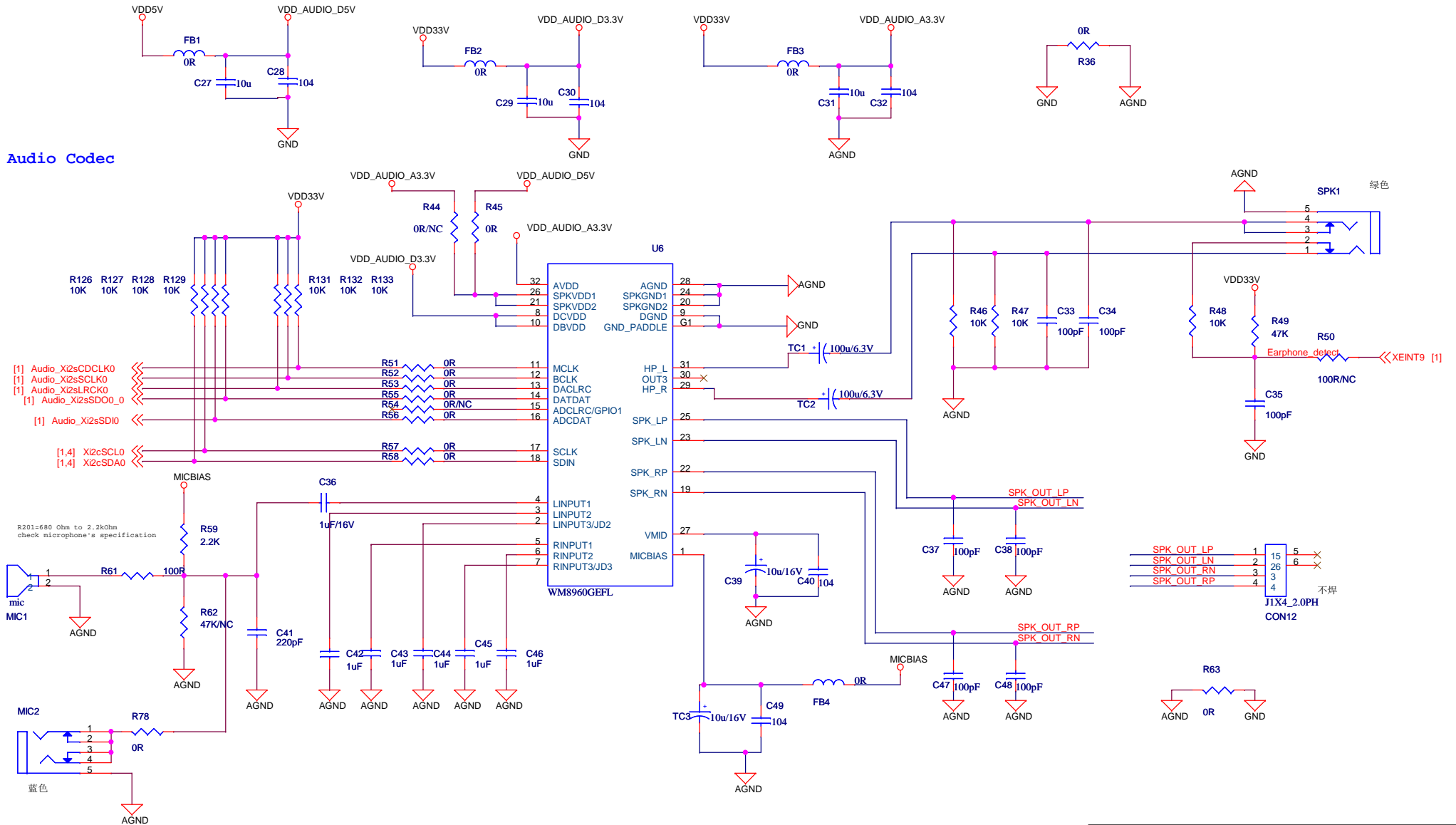
Title		
TinySDK V1.0		
Size	Document Number	Rev
B	CORE-PWR	
Date:	Wednesday, March 07, 2012	Sheet 1 of 5

**Ethernet:DM9000AEP**



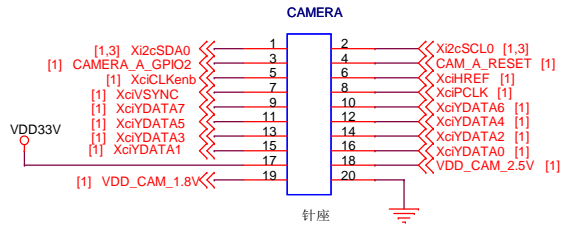
Title		
TinySDK V1.0		
Size	Document Number	Rev
B	DM9000	
Date:	Wednesday, March 07, 2012	Sheet 2 of 5

Audio Codec

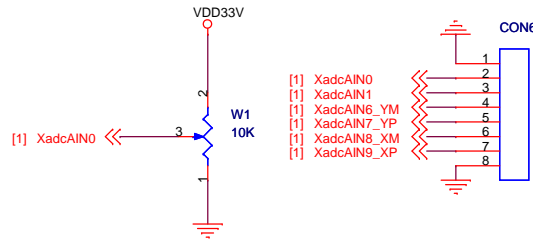


Title		
TinySDK V1.0		
Size B	Document Number	Rev
	AUDIO CODEC	<RevCode>
Date:	Wednesday, March 07, 2012	Sheet 3 of 5

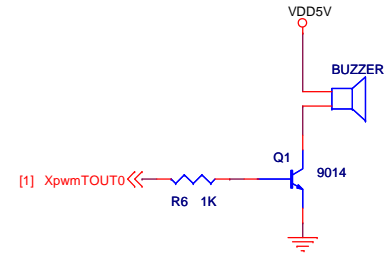
### Camera



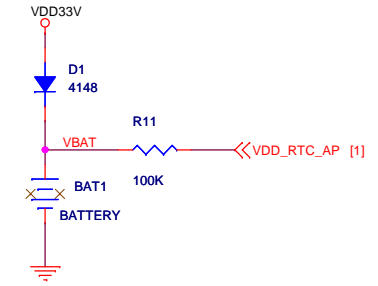
### AD-Convert



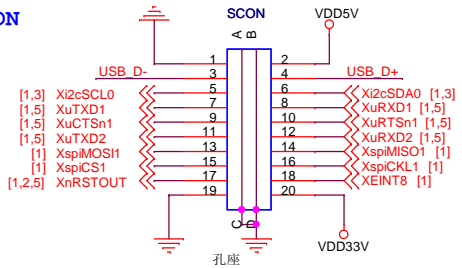
### PWM Buzzer



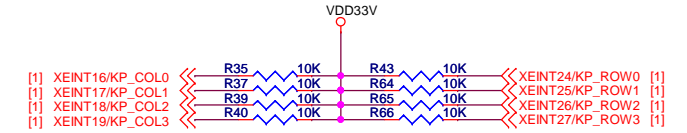
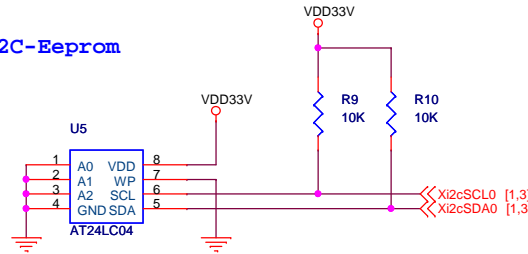
### RTC



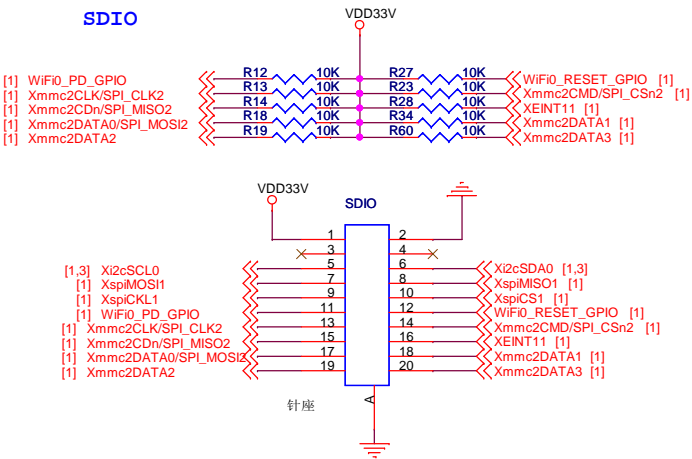
### SCON



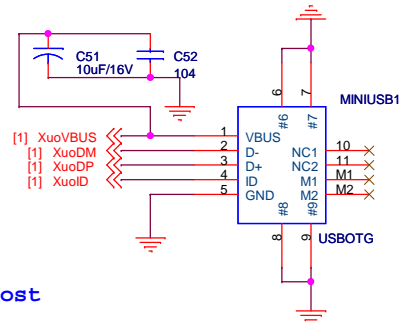
### I2C-Eeprom



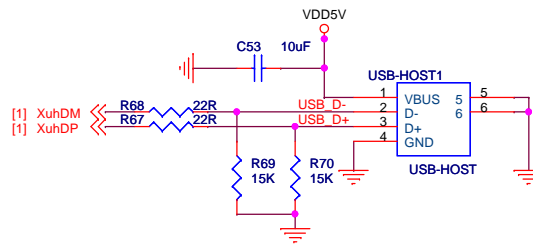
### SDIO



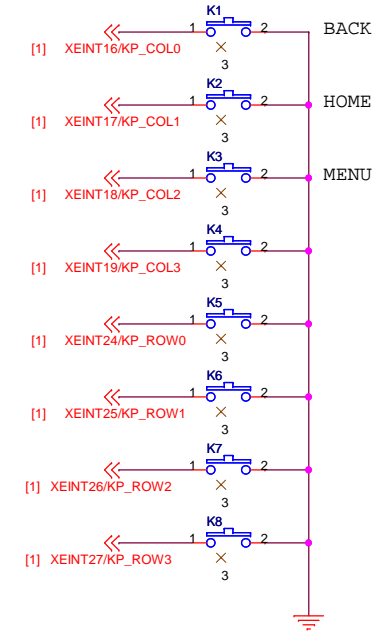
### USB Slave



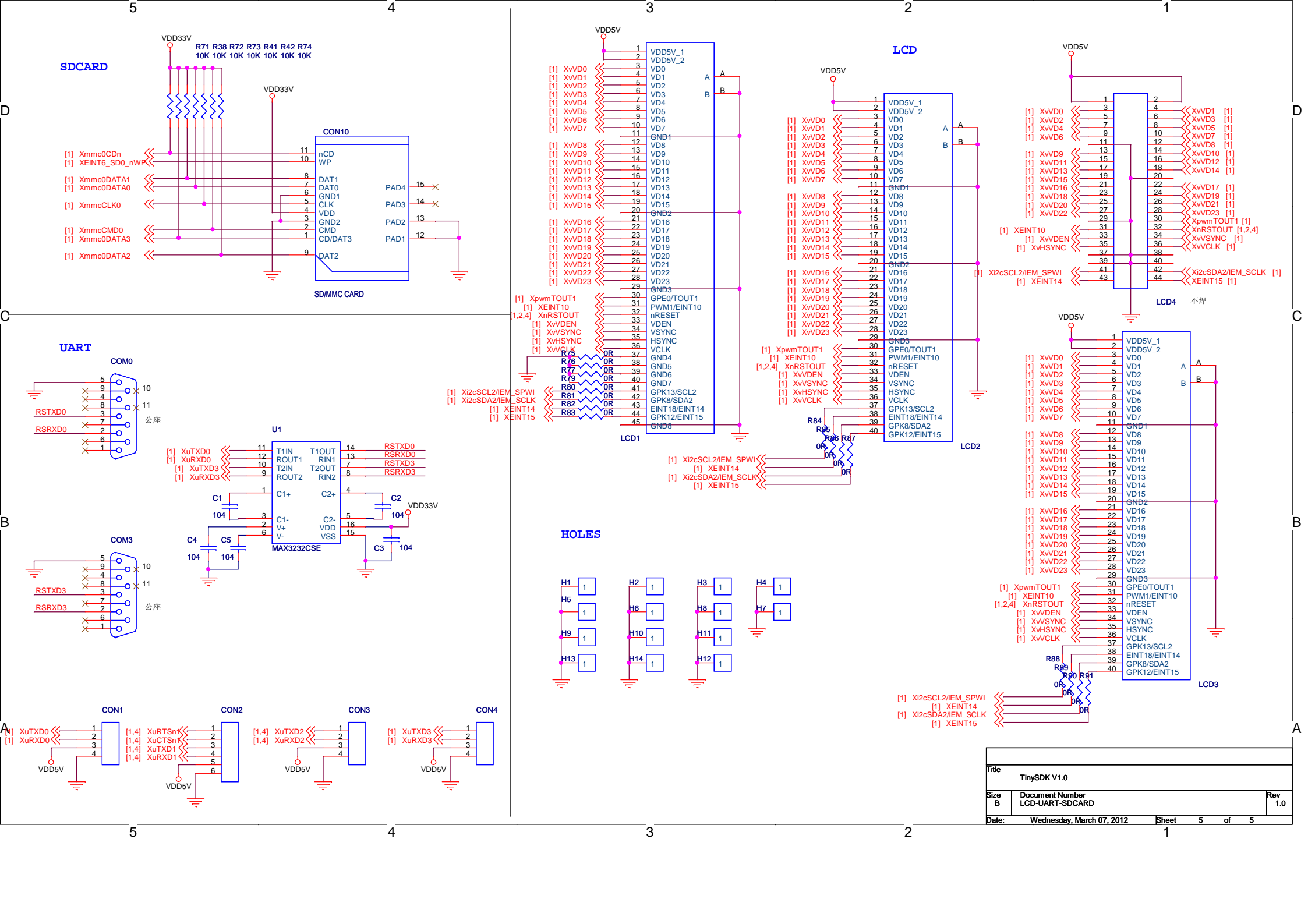
### USB Host



### Buttons



Title		
TinySDK V1.0		
Size	Document Number	Rev
B	SCON-USB-ETC	1.0
Date:	Wednesday, March 07, 2012	Sheet 4 of 5



Title		
TinySDK V1.0		
Size	Document Number	Rev
B	LCD-UART-SDCARD	1.0
Date:	Wednesday, March 07, 2012	Sheet 5 of 5