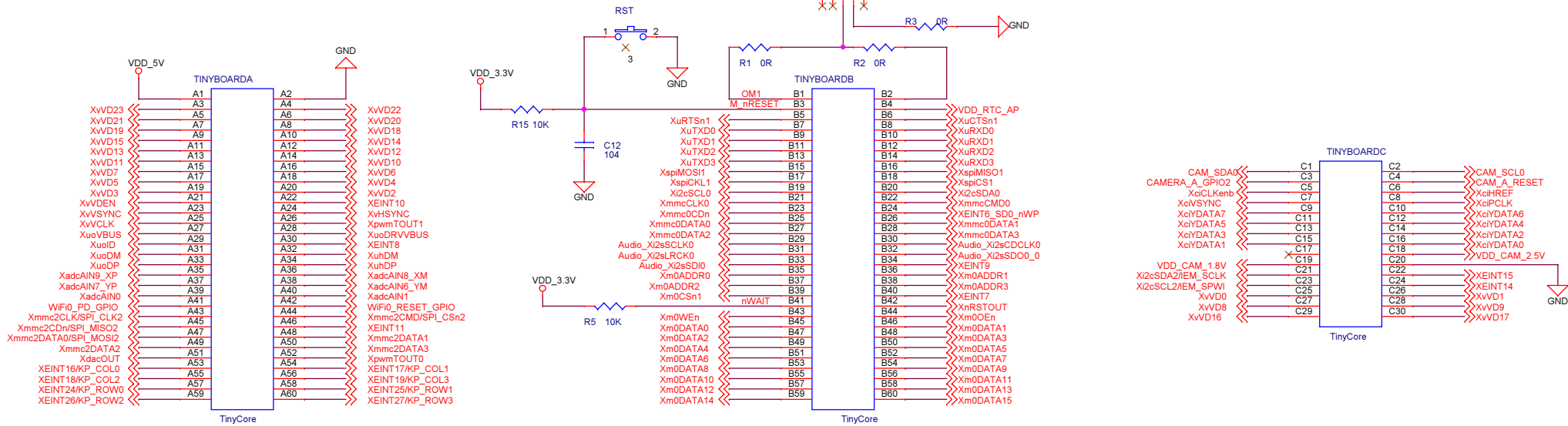
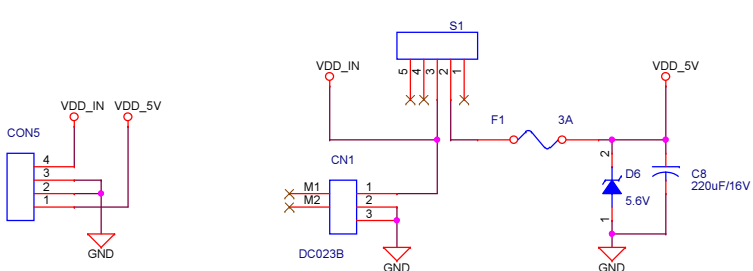


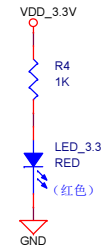
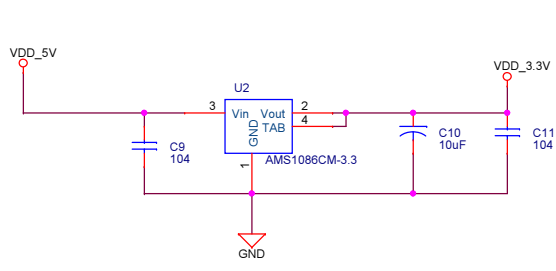
CoreBoard



5V Power In

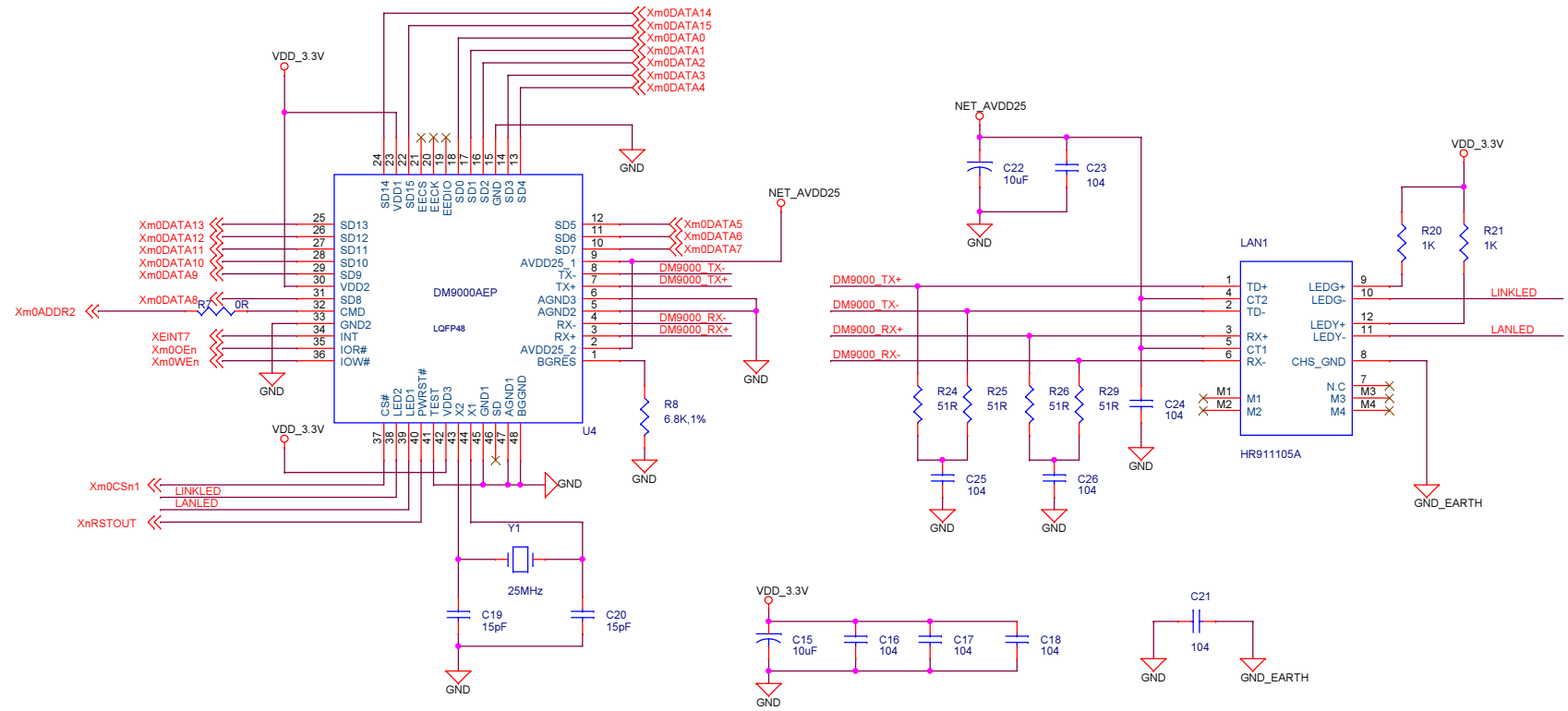


3.3V Power Supply

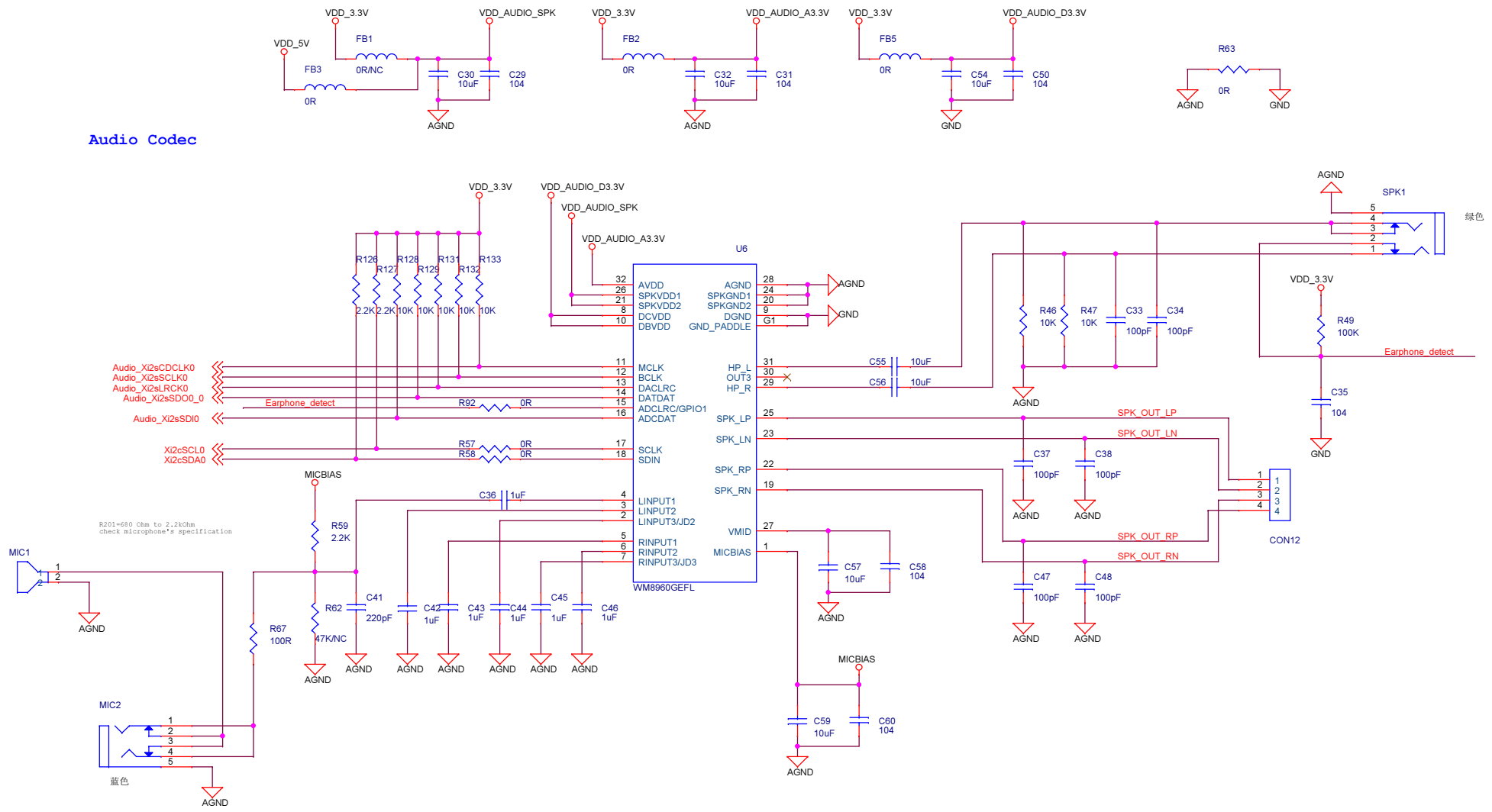


| | | |
|----------------------------------|------------------------------------|-----|
| FriendlyARM | | |
| Title | | |
| Size A3 | Document Number CORE-PWR | Rev |
| Date: Thursday, October 30, 2014 | Sheet 1 of 7 | |

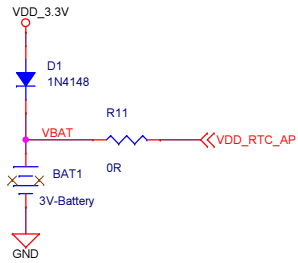
Ethernet:DM9000AEP



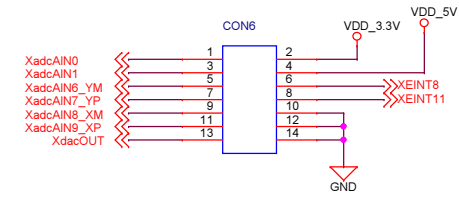
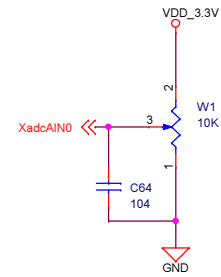
Audio Codec



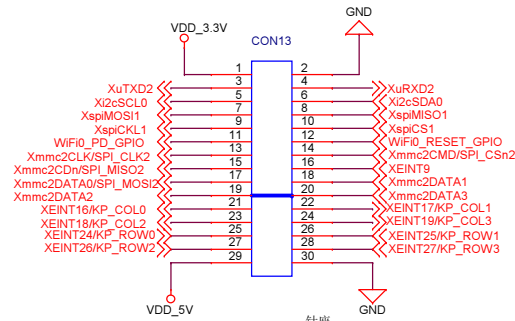
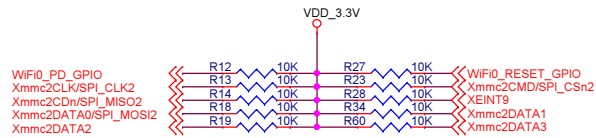
RTC



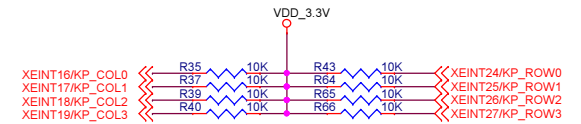
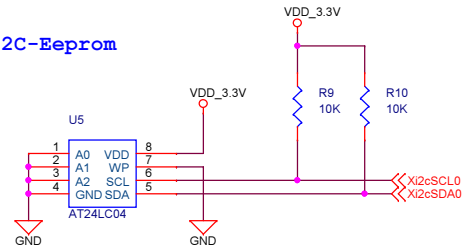
AD-Convert



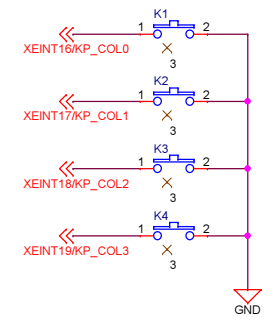
SDIO



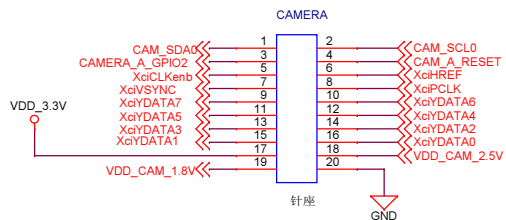
I2C-Eeprom



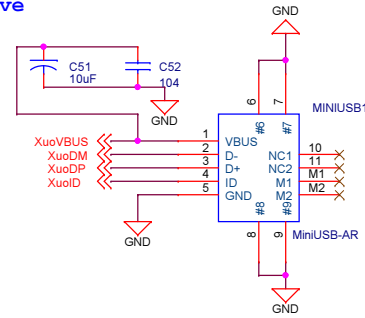
Buttons



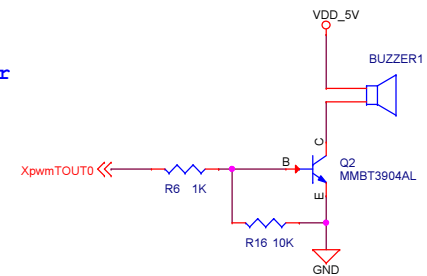
Camera



USB Slave

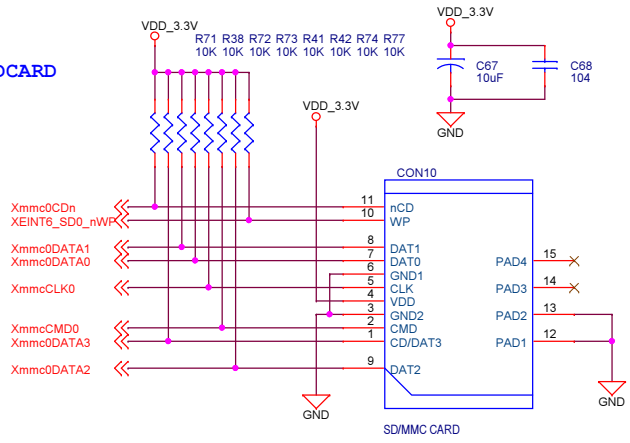


PWM Buzzer

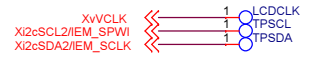
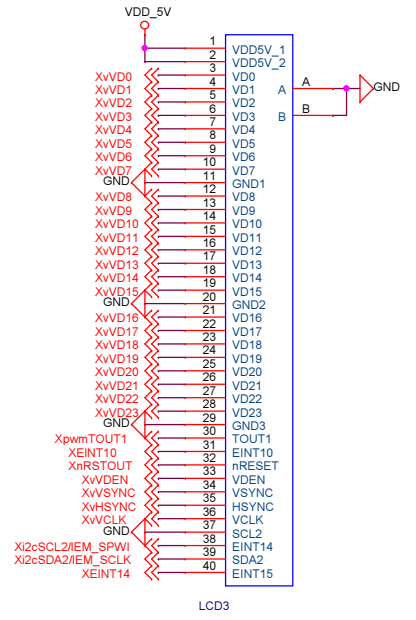
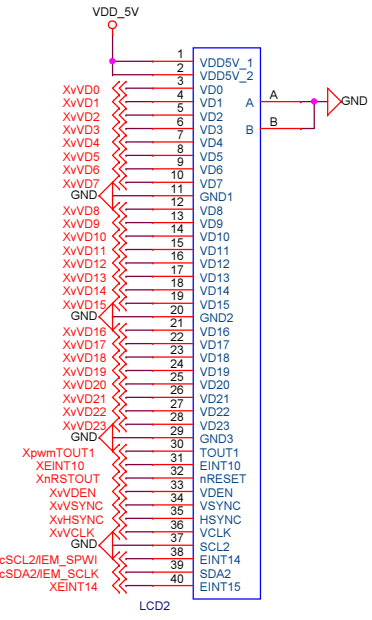
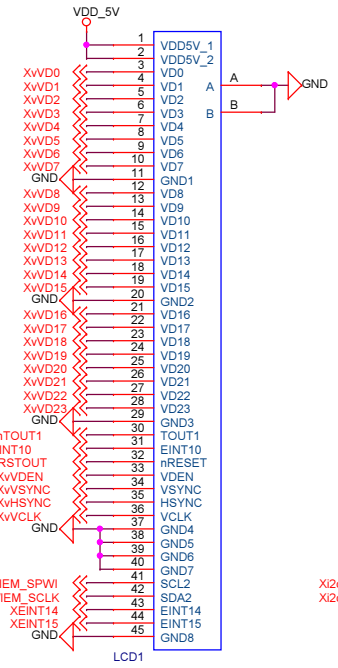
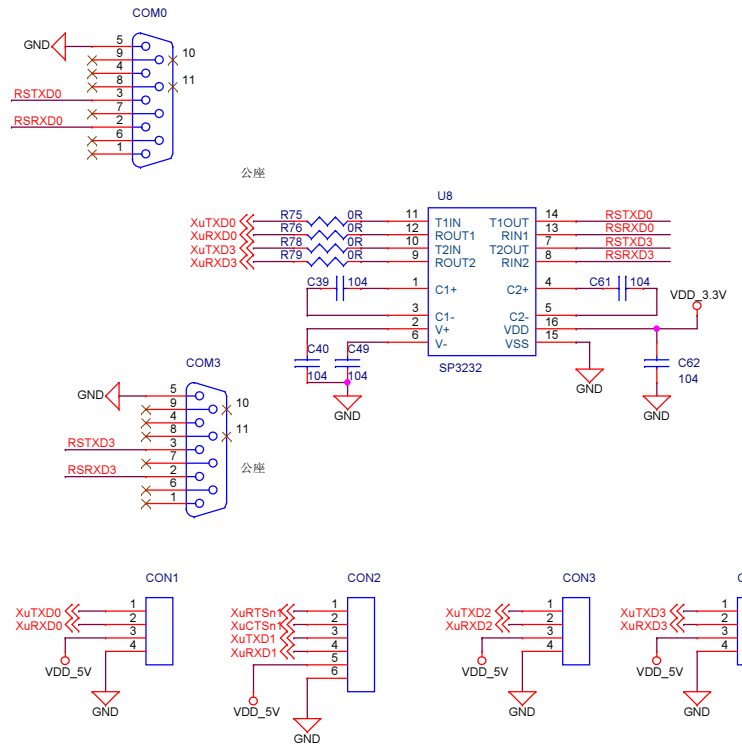


| | | |
|----------------------------------|------------------------------|------|
| FriendlyARM | | |
| Title | | |
| Size A3 | Document Number SC0N-USB-ETC | Rev |
| Date: Thursday, January 02, 2014 | Sheet 4 | of 7 |

SDCARD

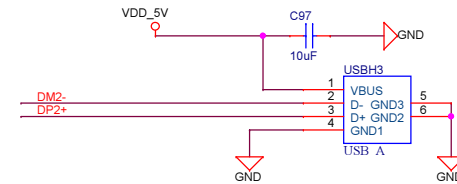
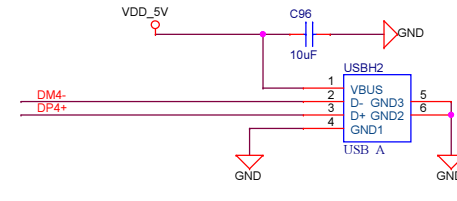
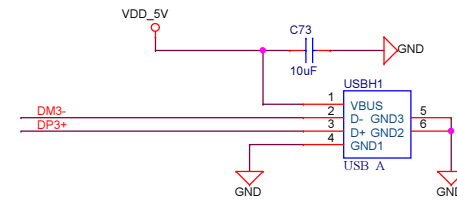
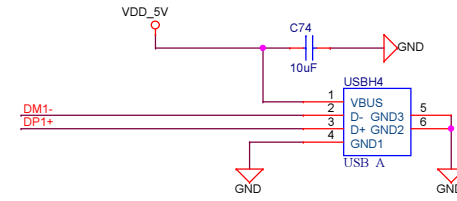
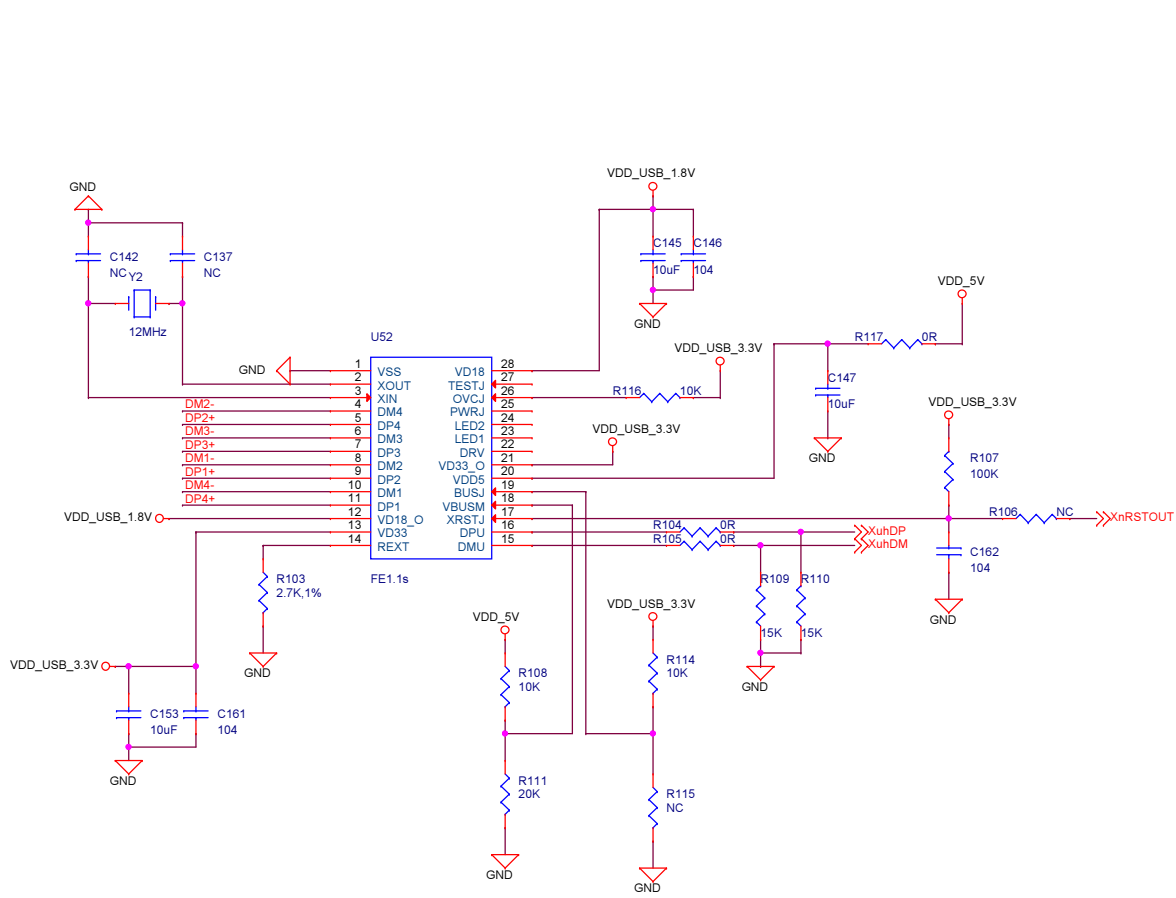


UART

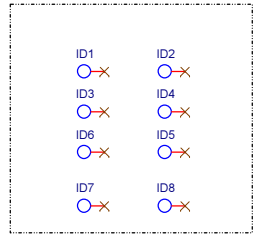


| | | |
|----------------------------------|--|-----|
| FriendlyARM | | |
| Title | | |
| Size A3 | Document Number LCD-UART-SDCARD-GSensor | Rev |
| Date: Thursday, October 30, 2014 | Sheet 5 of 7 | |

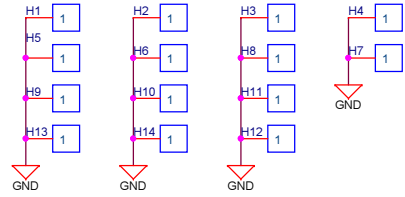
USB HUB



| | | |
|-------|----------------------------|--------------|
| Title | | <Title> |
| Size | Document Number | Rev |
| A3 | <Doc> | <Rev Code> |
| Date: | Thursday, October 30, 2014 | Sheet 6 of 7 |



HOLES



| | | |
|--------------------|----------------------------|--------------|
| FriendlyARM | | |
| Title | | |
| Size A3 | Document Number HOLES | Rev |
| Date: | Thursday, January 02, 2014 | Sheet 7 of 7 |