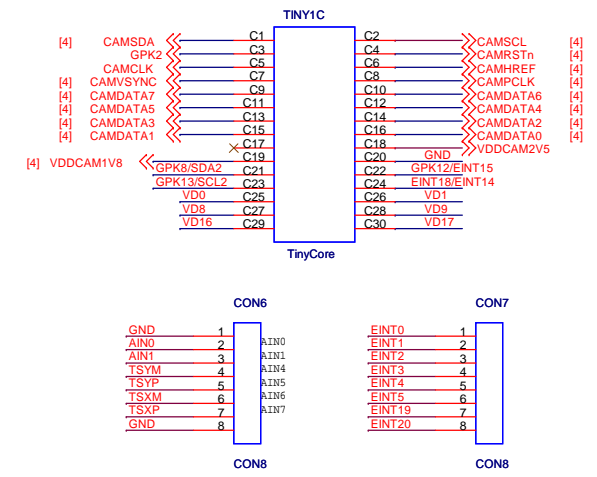
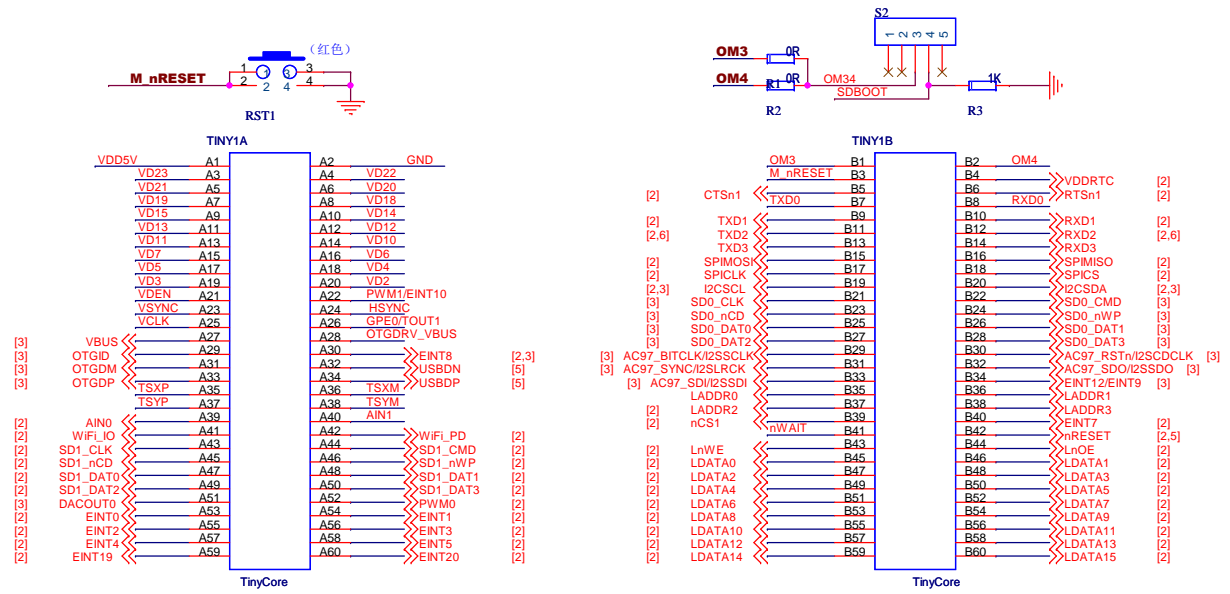
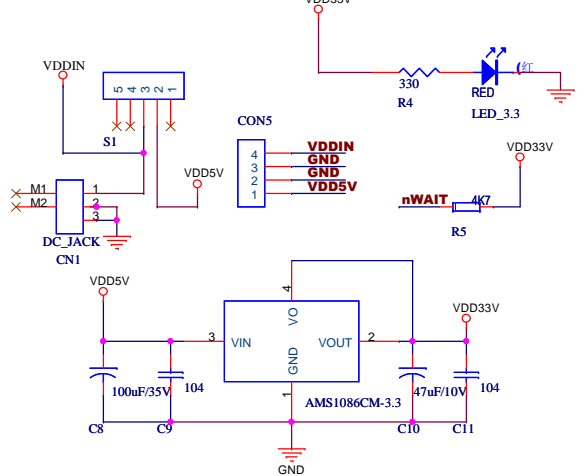


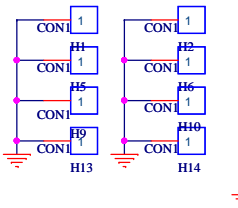
CoreBoard



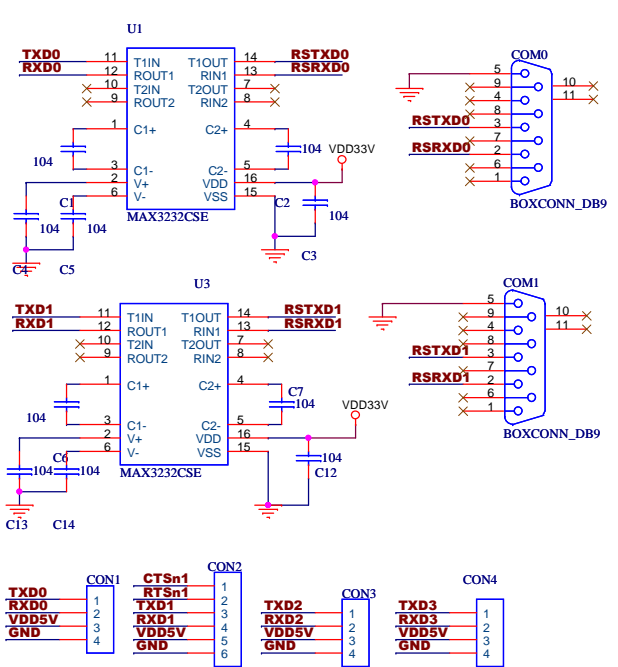
Power Supply



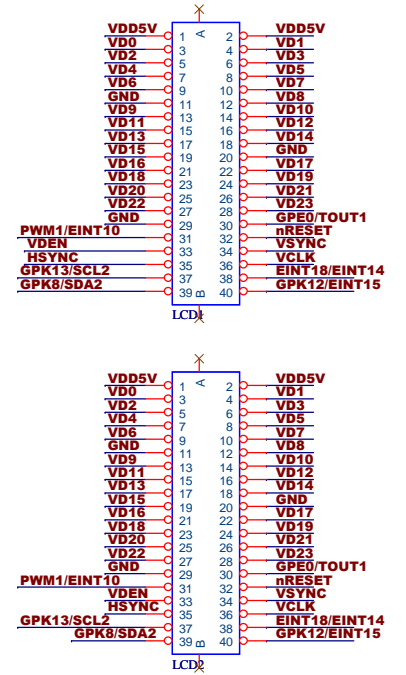
Mounting Hole



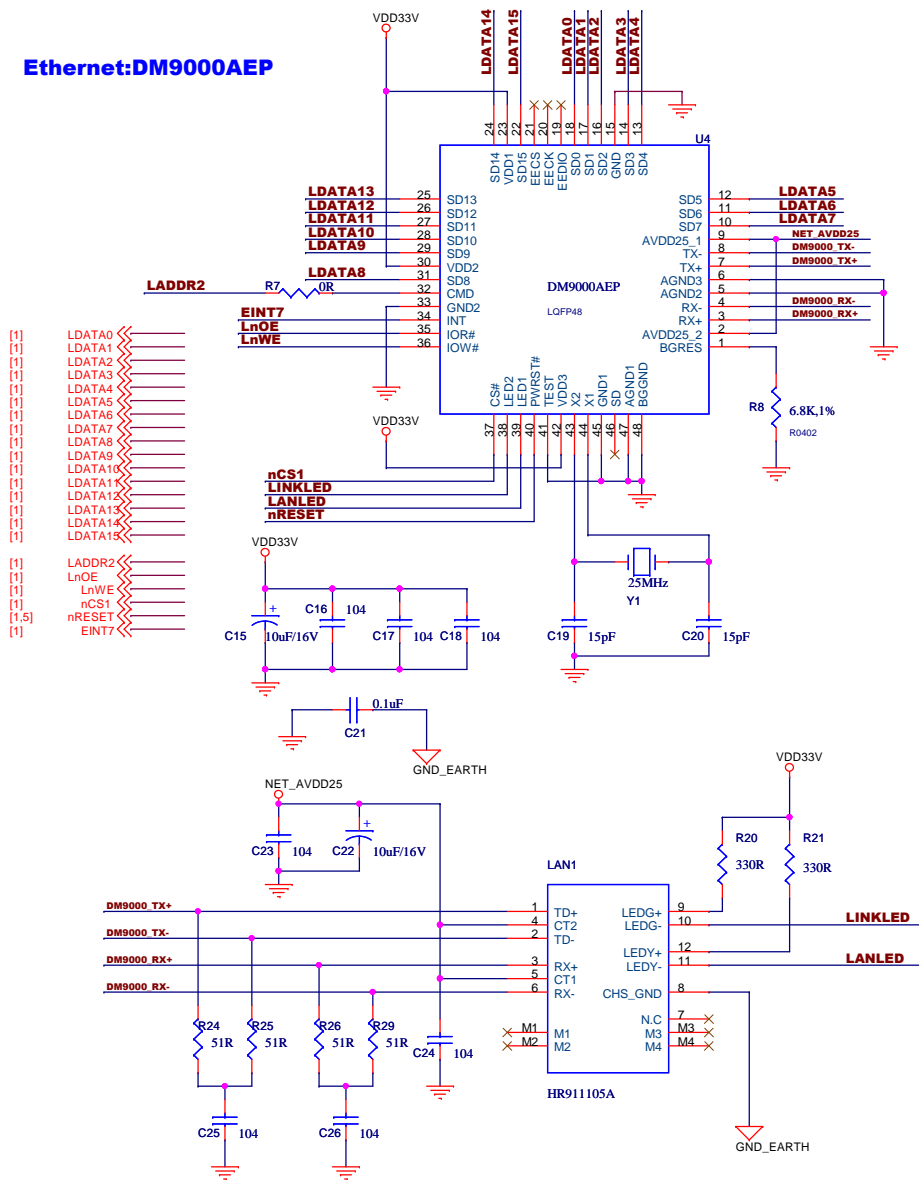
RS-232



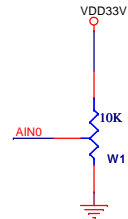
LCD



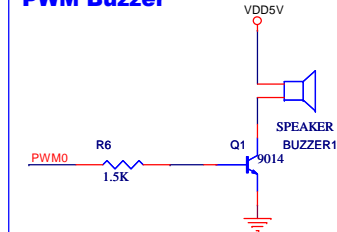
Ethernet:DM9000AEP



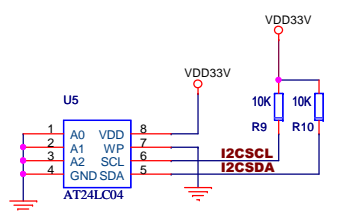
AD-Convert



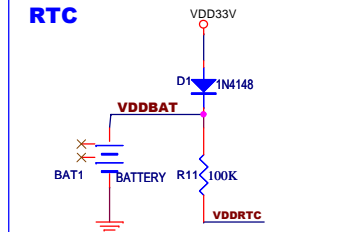
PWM Buzzer



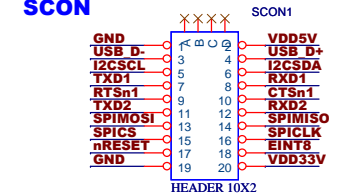
I2C-EEPROM



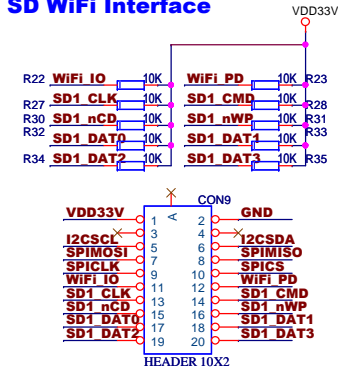
RTC



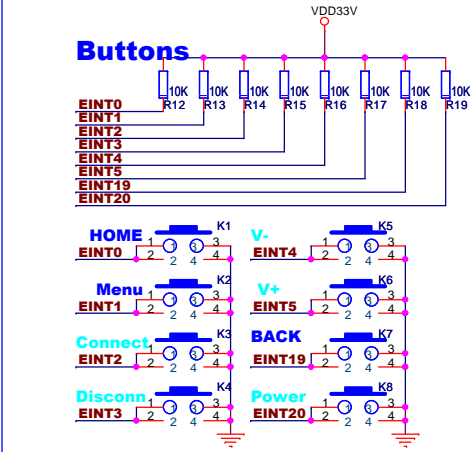
SCON



SD WiFi Interface

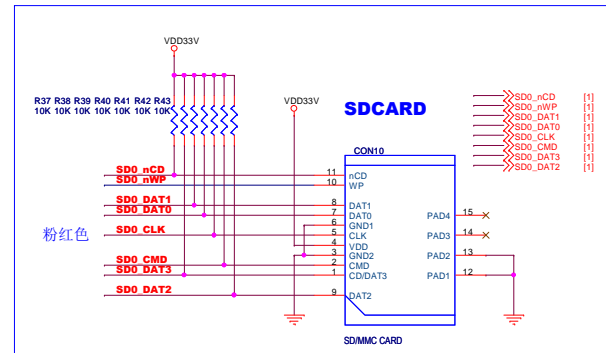
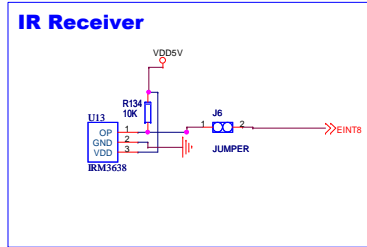
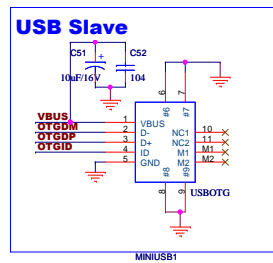
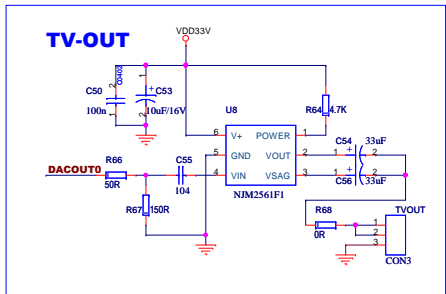
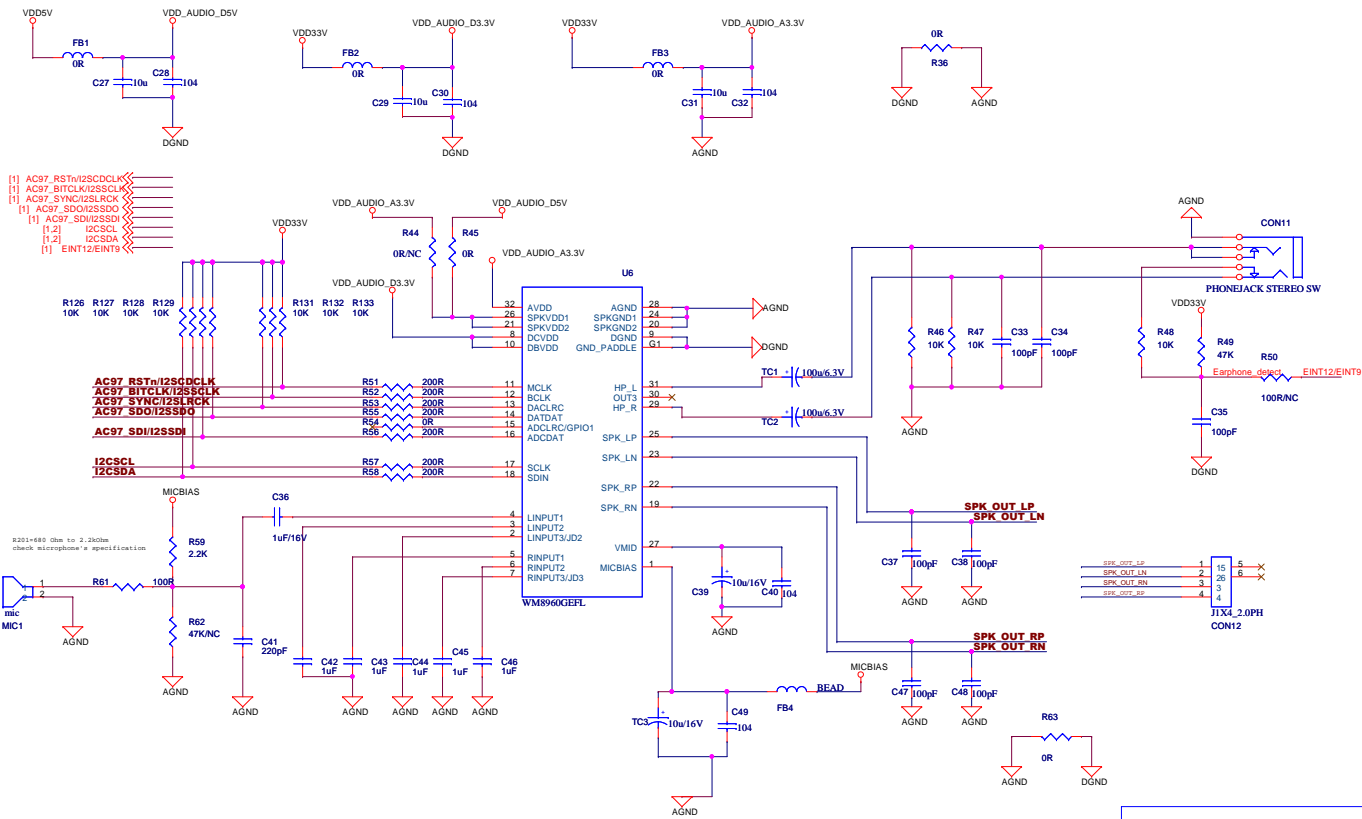


Buttons

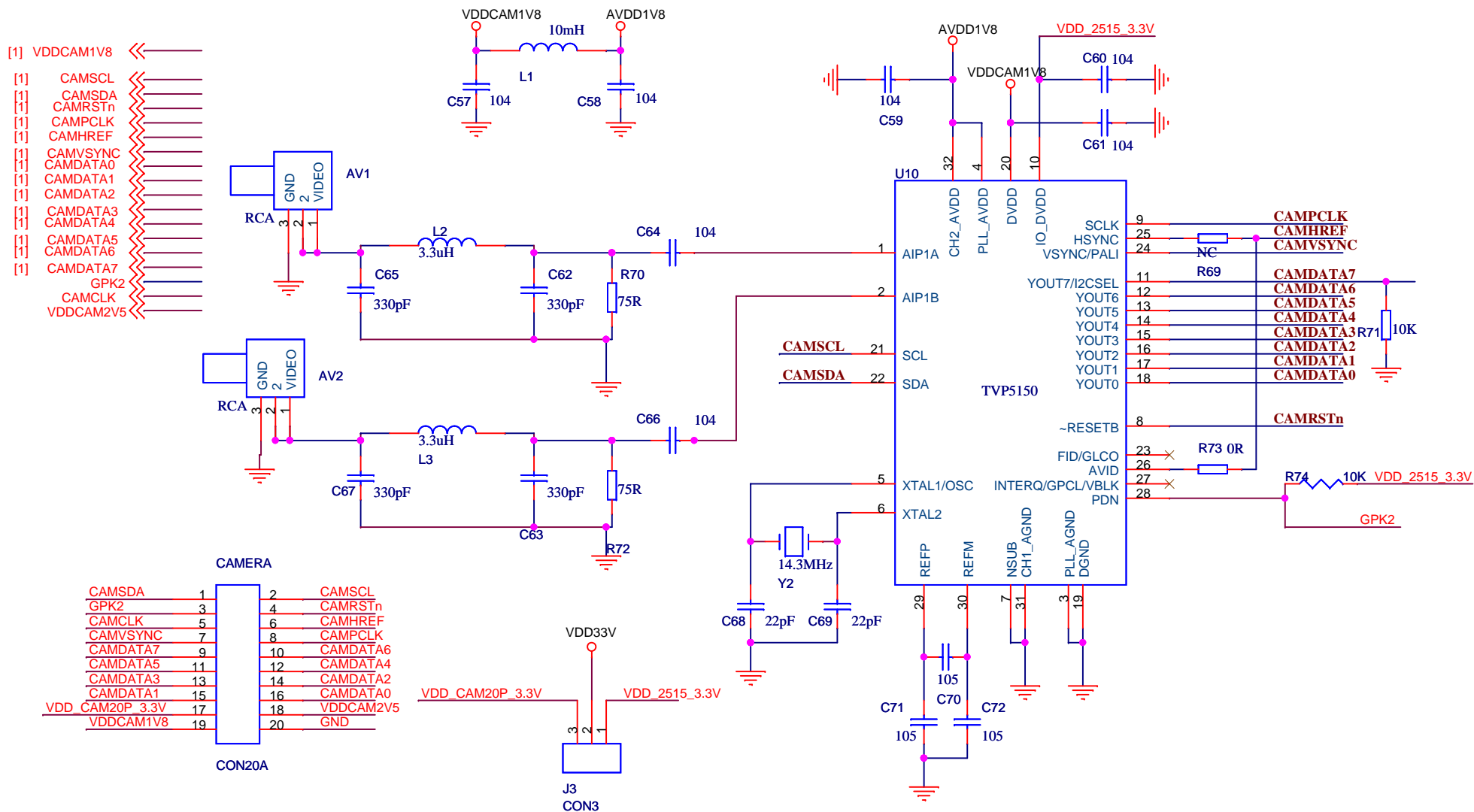


- >>> AIN0 [1]
- >>> PWM0 [1]
- >>> I2CSCL [1,3]
- >>> I2CSDA [1,3]
- >>> VDDRTC [1]
- >>> USB_D- [5]
- >>> USB_D+ [5]
- >>> TXD1 [1]
- >>> RXD1 [1]
- >>> CTSn1 [1]
- >>> RTSn1 [1]
- >>> TXD2 [1,6]
- >>> RXD2 [1,6]
- >>> SPIMOSI [1]
- >>> SPIMISO [1]
- >>> SPICK [1]
- >>> SPICLK [1]
- >>> nRESET [1,5]
- >>> EINT8 [1,5]
- >>> WIFI_IO [1]
- >>> WIFI_PD [1]
- >>> SD1_CLK [1]
- >>> SD1_CMD [1]
- >>> SD1_nCD [1]
- >>> SD1_nWP [1]
- >>> SD1_DAT0 [1]
- >>> SD1_DAT1 [1]
- >>> SD1_DAT2 [1]
- >>> SD1_DAT3 [1]
- >>> EINT0 [1]
- >>> EINT1 [1]
- >>> EINT2 [1]
- >>> EINT3 [1]
- >>> EINT4 [1]
- >>> EINT5 [1]
- >>> EINT19 [1]
- >>> EINT20 [1]

Audio Codec



CAMERA

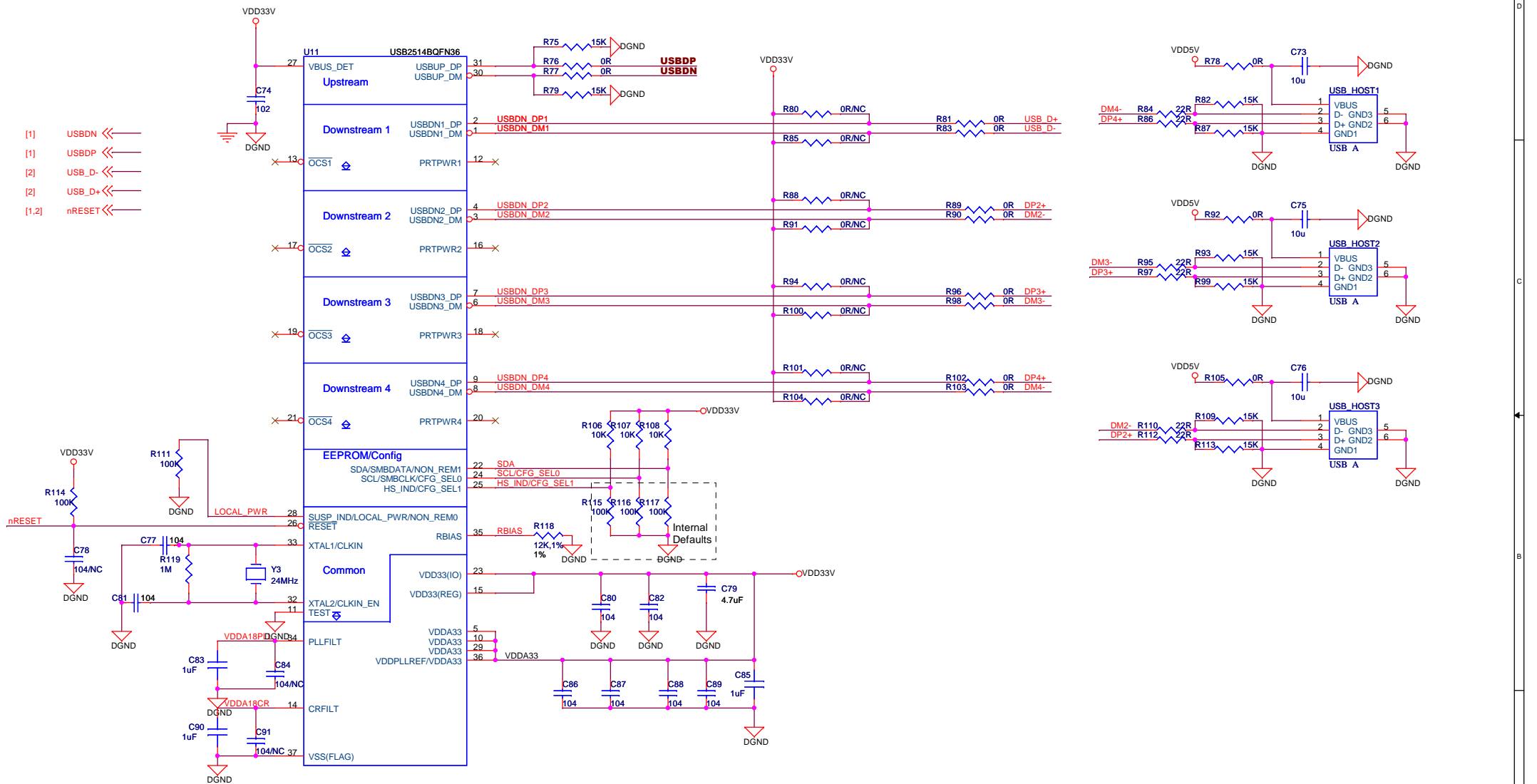


- [1] VDDCAM1V8
- [1] CAMSCL
- [1] CAMSDA
- [1] CAMRSTn
- [1] CAMCLK
- [1] CAMHREF
- [1] CAMVSYNC
- [1] CAMDATA0
- [1] CAMDATA1
- [1] CAMDATA2
- [1] CAMDATA3
- [1] CAMDATA4
- [1] CAMDATA5
- [1] CAMDATA6
- [1] CAMDATA7
- [1] GPK2
- [1] CAMCLK
- [1] VDDCAM2V5

- | CAMERA | |
|-----------------|----|
| CAMSDA | 1 |
| GPK2 | 3 |
| CAMCLK | 5 |
| CAMVSYNC | 7 |
| CAMDATA7 | 9 |
| CAMDATA5 | 11 |
| CAMDATA3 | 13 |
| CAMDATA1 | 15 |
| VDD CAM20P 3.3V | 17 |
| VDDCAM1V8 | 19 |
| CAMSCL | 2 |
| CAMRSTn | 4 |
| CAMHREF | 6 |
| CAMPCLK | 8 |
| CAMDATA6 | 10 |
| CAMDATA4 | 12 |
| CAMDATA2 | 14 |
| CAMDATA0 | 16 |
| VDDCAM2V5 | 18 |
| GND | 20 |

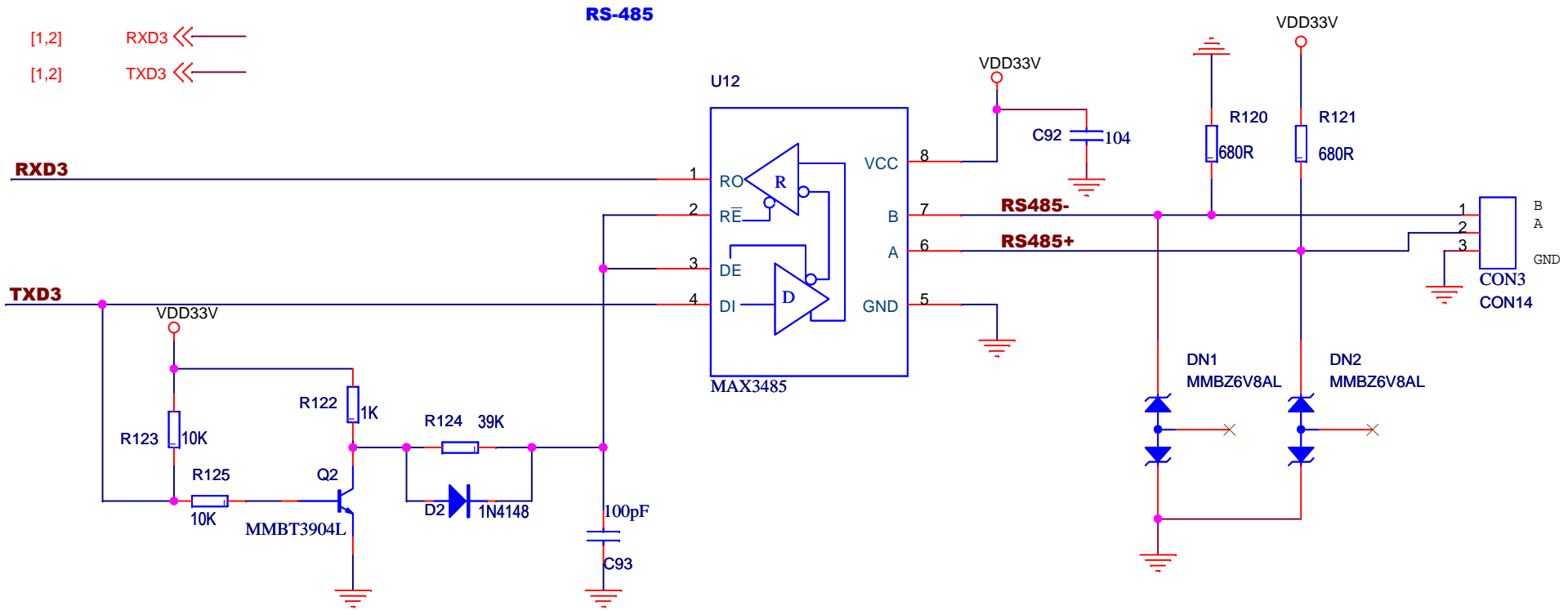
Title		
TinySDK2		
Size	Document Number	Rev
A4	<Doc>	<RevC>
Date:	Tuesday, January 17, 2012	Sheet 4 of 6

USB Hub



- [1] USBDN <<<
- [1] USBDP <<<
- [2] USB_D- <<<
- [2] USB_D+ <<<
- [1,2] nRESET <<<

Title		TinySDK2
Size	Document Number	Rev
A3	<Doc>	<Rev Code>
Date:	Tuesday, January 17, 2012	Sheet 5 of 6



Title		
TinySDK2		
Size	Document Number	Rev
A	<Doc>	<RevCode>
Date:	Tuesday, January 17, 2012	Sheet 6 of 6