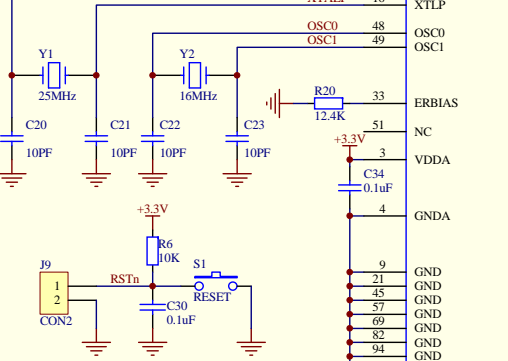
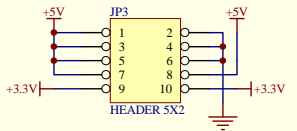
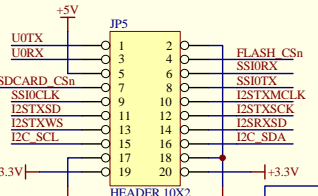
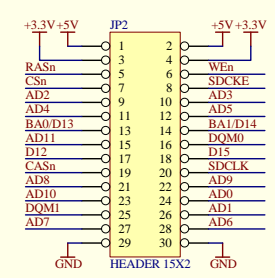
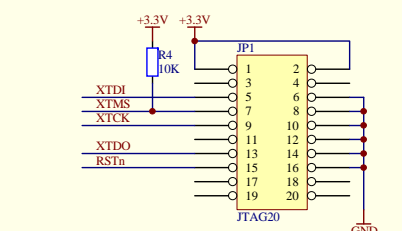
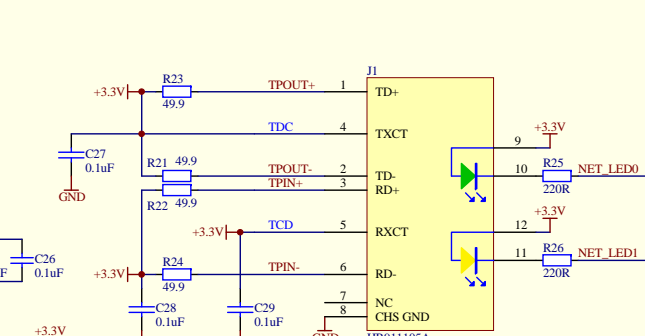
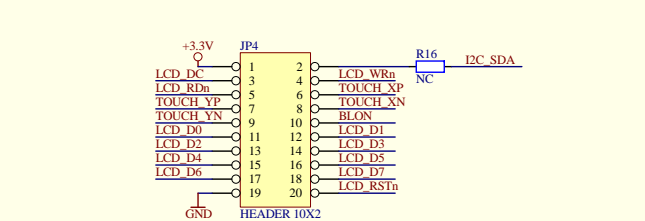
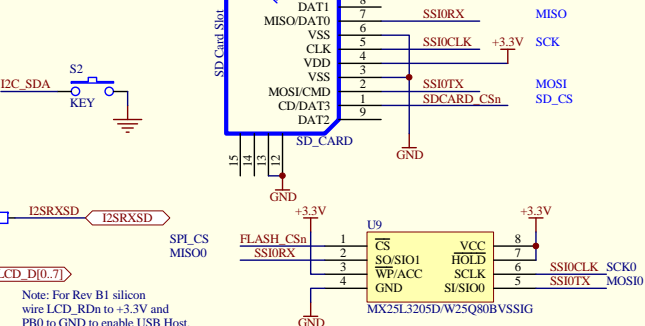
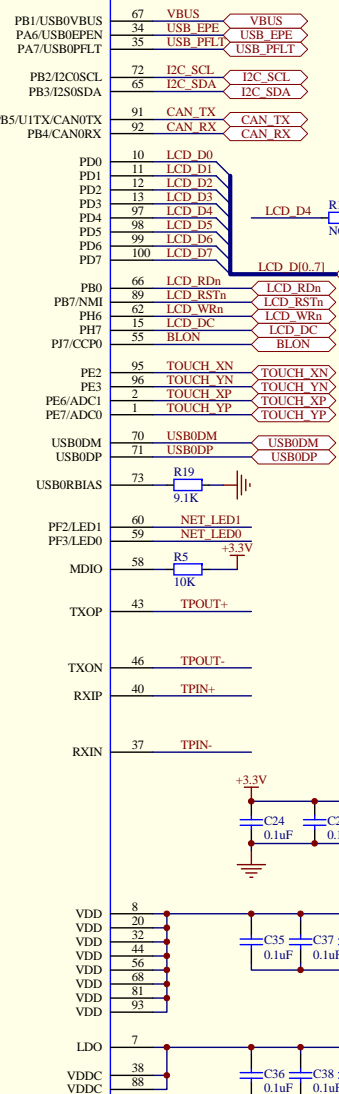
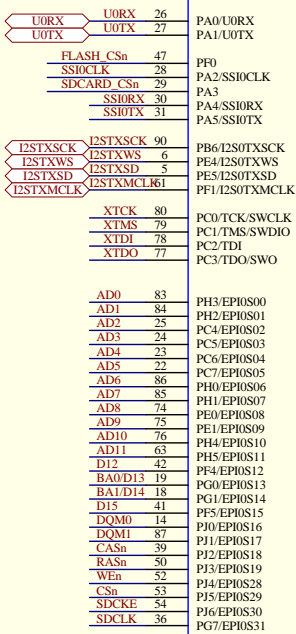
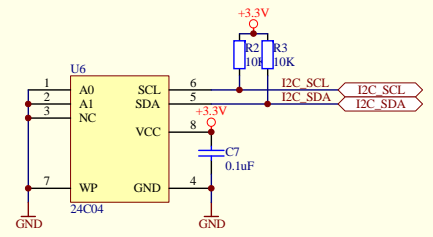
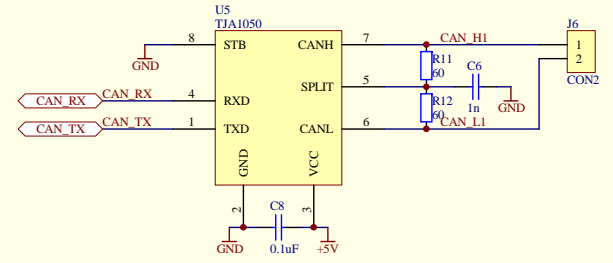
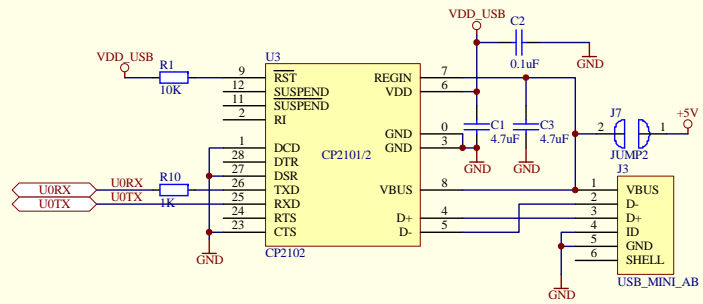


Stellaris Microcontroller

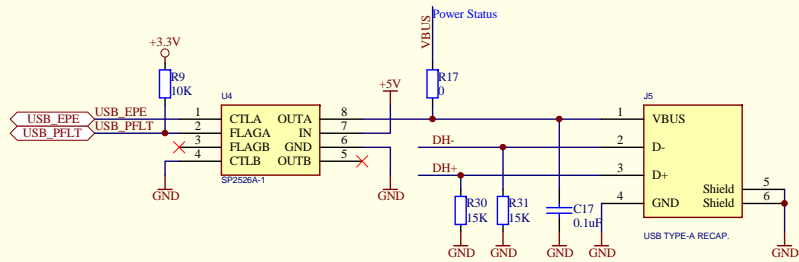
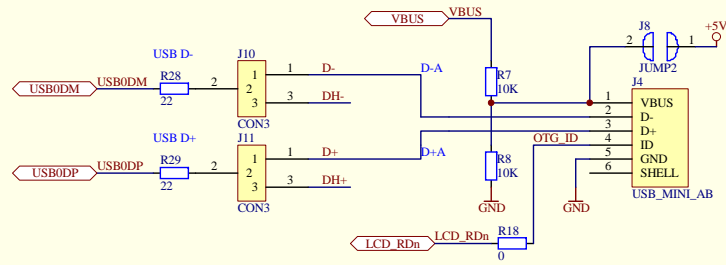
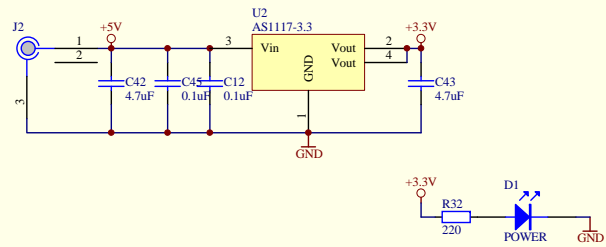


U16 Required only for LM3S9B96 Rev B1. See errata.

Size	Number	Revision
B		
Date:	18-Jun-2011	Sheet of
File:	E:\Mywork\ARM\LM3S9B92\Schematic\U16S9B92.dtb	



Title		
Size	Number	Revision
B		
Date:	18-Jun-2011	Sheet of
File:	E:\Mywork\ARM\LM3S9B92\Schematic\USB9B.dib	



Title		
Size	Number	Revision
B		
Date:	18-Jun-2011	Sheet of
File:	E:\Mywork\ARM\LM3S9B92\Schematic\USB09B.dib	6