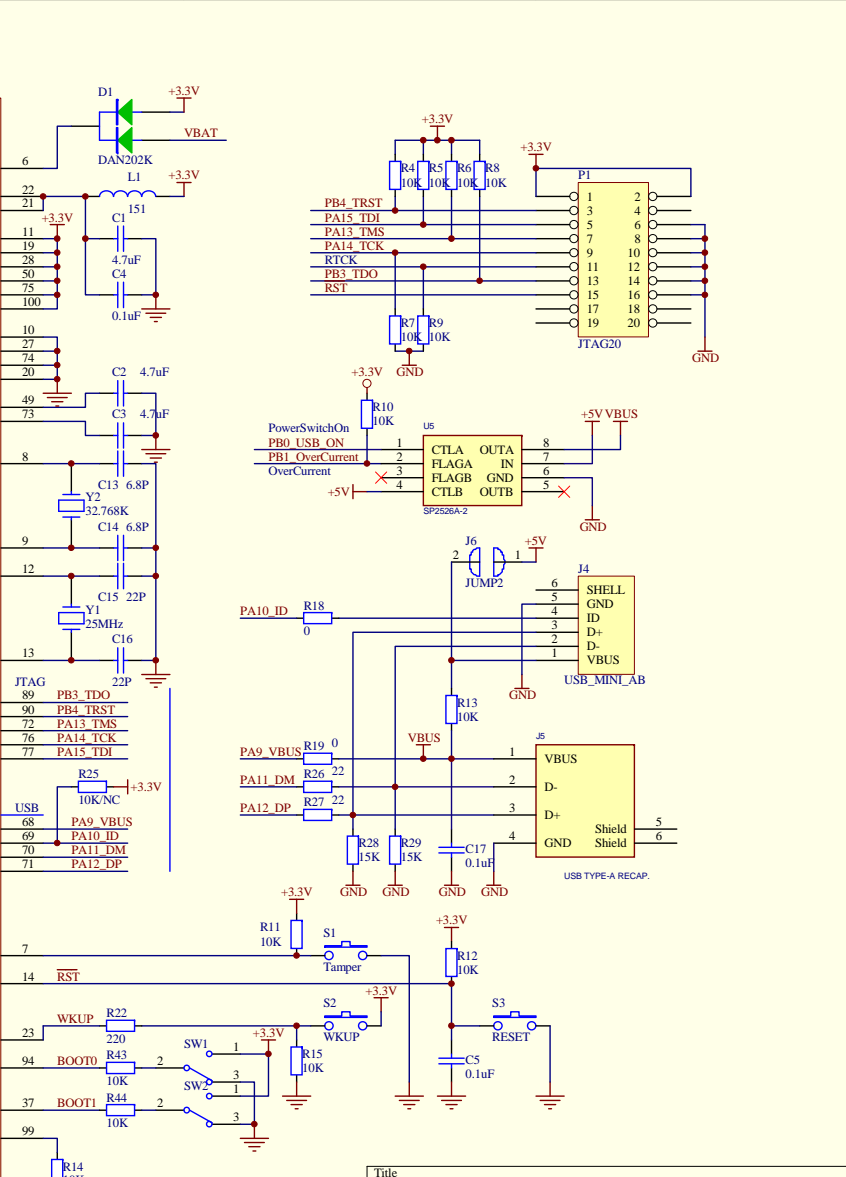


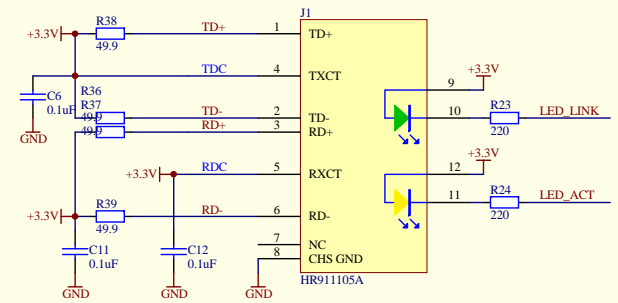
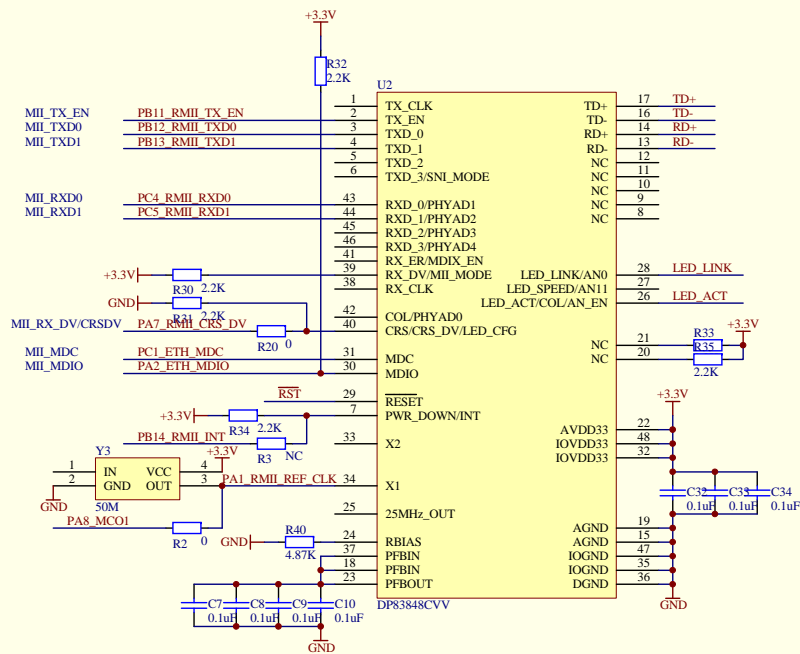


PB11_RMII_TX_EN	48
PB12_RMII_TXD0	51
PB13_RMII_TXD1	52
PC4_RMII_RXD0	33
PC5_RMII_RXD1	34
PA7_RMII_CRD5_DV	32
PA1_RMII_REF_CLK	24
PC1_ETH_MDC	36
PA2_ETH_MDIO	25
PAR_MCO1	67
PB14_RMII_INT	53
DCMI	
PB7_DCM1_VSYNC	93
PA4_DCM1_HSYNC	29
PA6_DCM1_PIXCLK	31
PC6_DCM1_D0	63
PC7_DCM1_D1	64
PE1_DCM1_D2	97
PE0_DCM1_D3	98
PE4_DCM1_D4	3
PB6_DCM1_D5	92
PE5_DCM1_D6	4
PE6_DCM1_D7	5
Ext Bus	
PD14_FSMC_D0	61
PD15_FSMC_D1	62
PD0_FSMC_D2	81
PD1_FSMC_D3	82
PE7_FSMC_D4	38
PE8_FSMC_D5	39
PE9_FSMC_D6	40
PE10_FSMC_D7	41
PE11_FSMC_D8	42
PE12_FSMC_D9	43
PE13_FSMC_D10	44
PE14_FSMC_D11	45
PE15_FSMC_D12	46
PD8_FSMC_D13	55
PD9_FSMC_D14	56
PD10_FSMC_D15	57
PD11_FSMC_A16	58
PD12_FSMC_A17	59
PD13_FSMC_A18	60
PE3	2
PE2	1
Ext Bus	
PD7_FSMC_NE1	88
PD6_RXD2	87
PD5_FSMC_NWE_TXD2	86
PD4_FSMC_NOE	85
PD3	84
SD Card	
PC8_SDIO_D0	65
PC9_SDIO_D1	66
PC10_SDIO_D2_TXD3	78
PC11_SDIO_D3_RXD3	79
PC12_SDIO_CK	80
PD2_SDIO_CMD	83
PC0_SD_Detect	15
CAN/IC	
PB5	91
PB8_CAN1_RX	95
PB9_CAN1_TX	96
SPI	
PB15	54
PB10	47
PC2	17
PC3	18
AD/DA	
PA3	26
PA5	30
PB0_USB_ON	35
PB1_OverCurrent	36

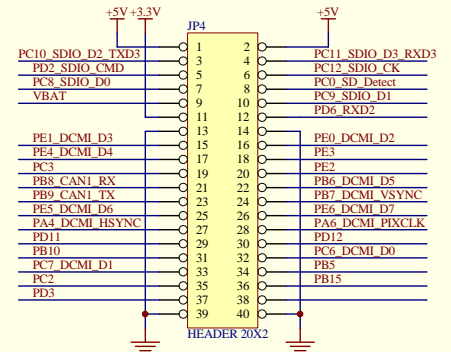
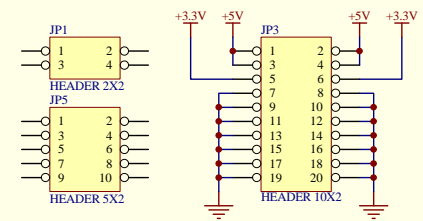
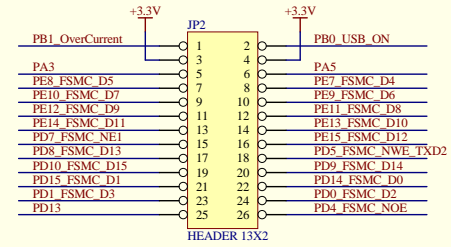
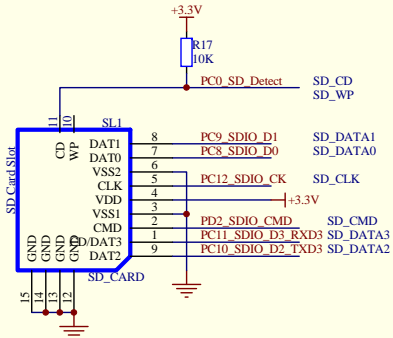
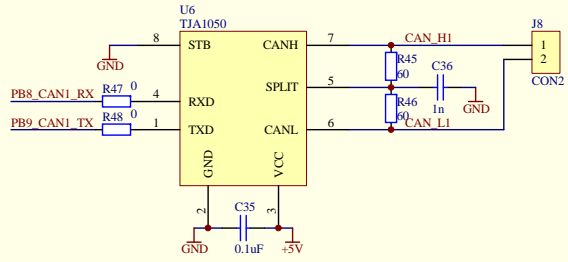
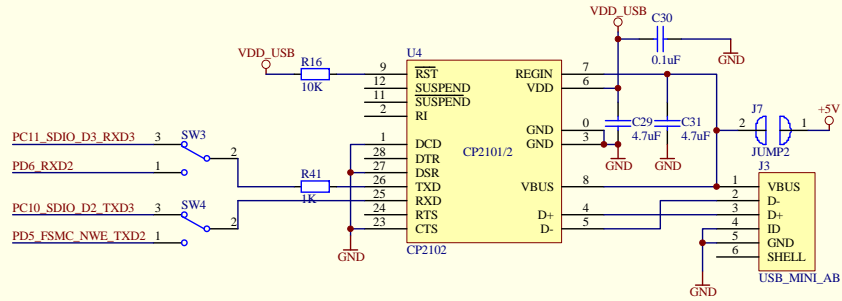
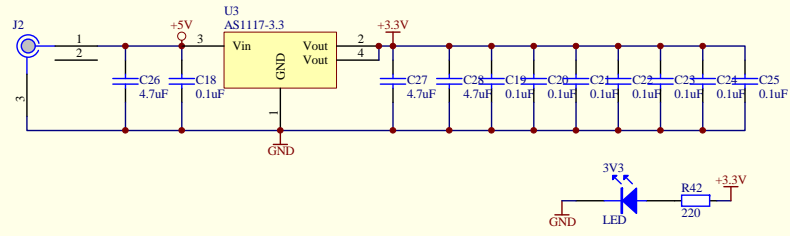


STM32F2x7VGT6

Title		
Size	Number	Revision
B		
Date:	20-Jul-2011	Sheet of
File:	E:\Mywork\ARM\STM32F2x7_Schematic\STM32F2x7_VG.dbb	



Title		
Size	Number	Revision
B		
Date:	20-Jul-2011	Sheet of
File:	E:\Mywork\ARM\STM32F2x7\Schematic\STM32F2x7_VG.ddb	DM32F2x7_VG.ddb



Title		
Size	Number	Revision
Date:	20-Jul-2011	Sheet of
File:	E:\Mywork\ARM\STM32F2x7\Schematic\SD43AFB7.VG.ddb	1