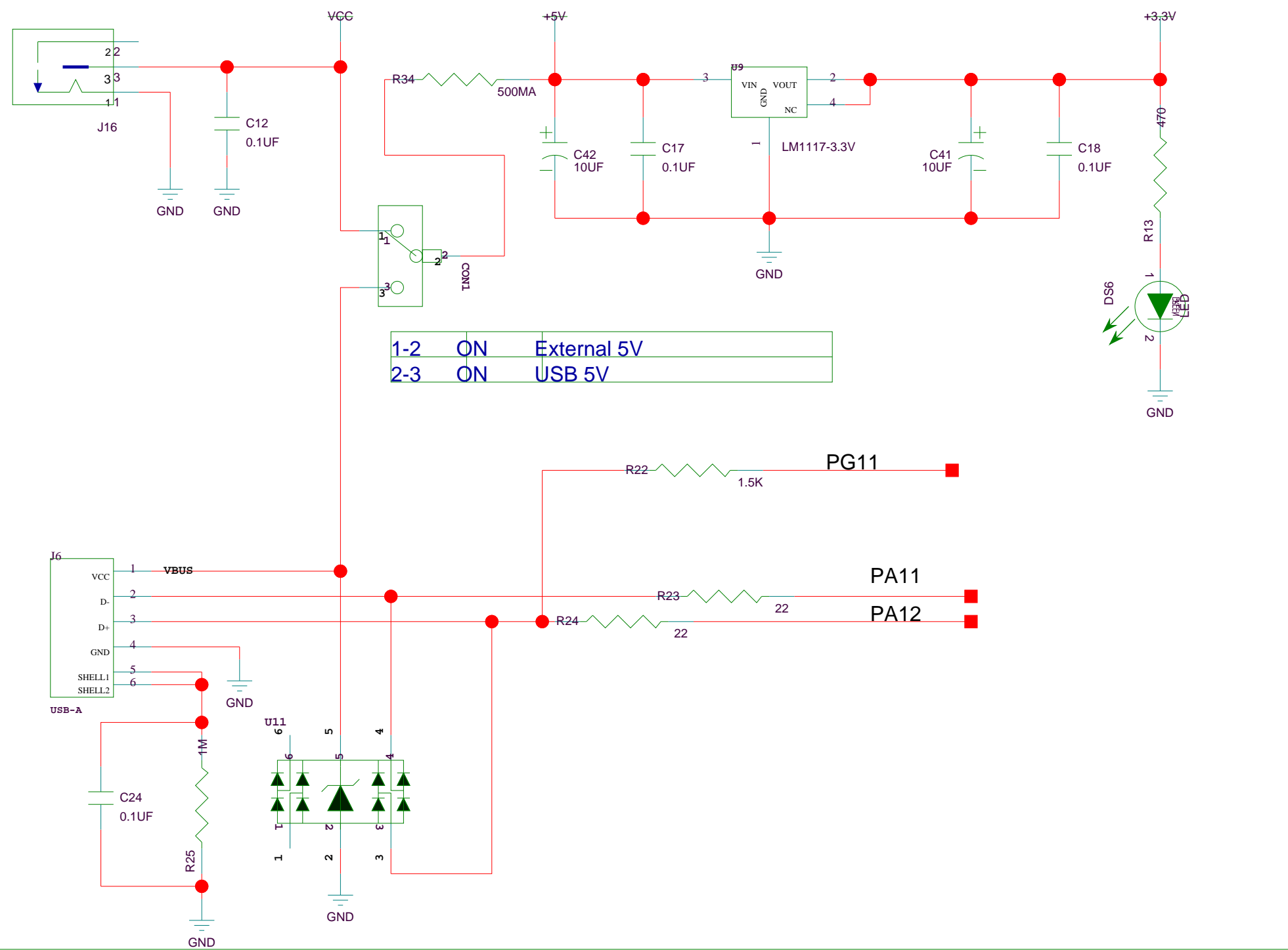
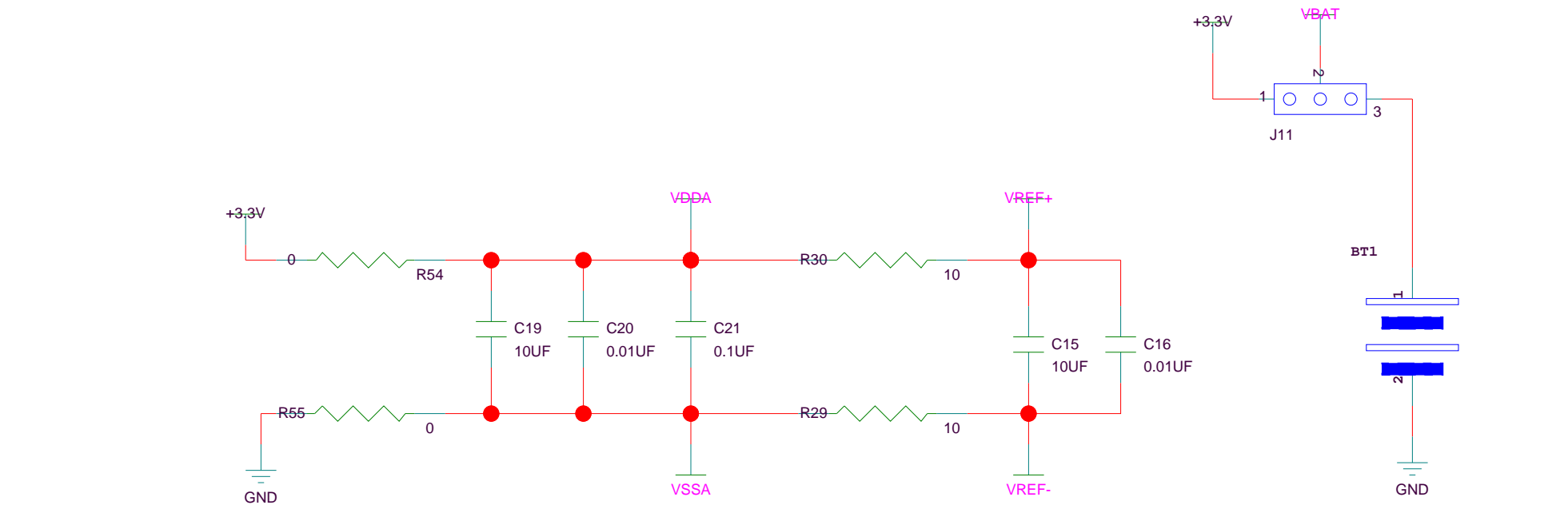


USB and Power Input

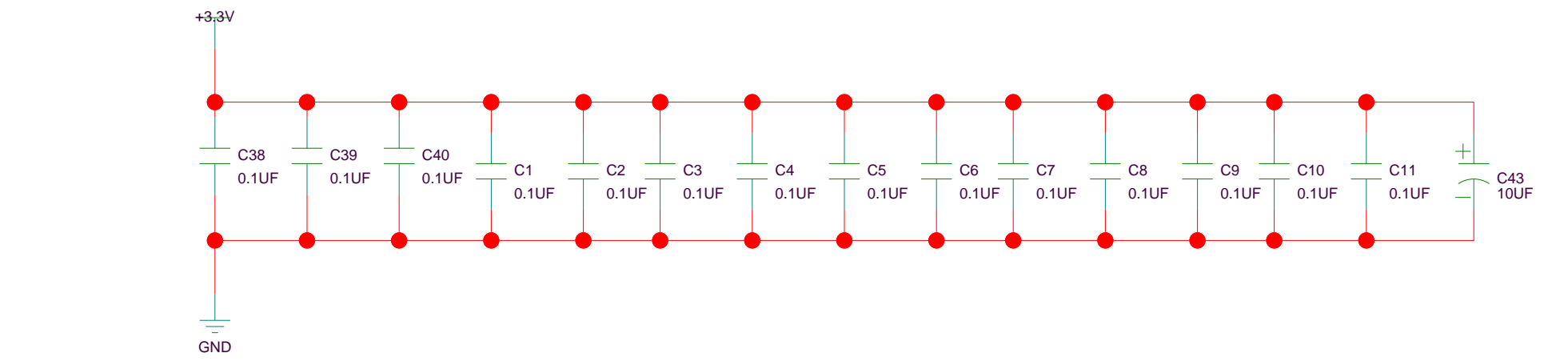


1-2	ON	External 5V
2-3	ON	USB 5V

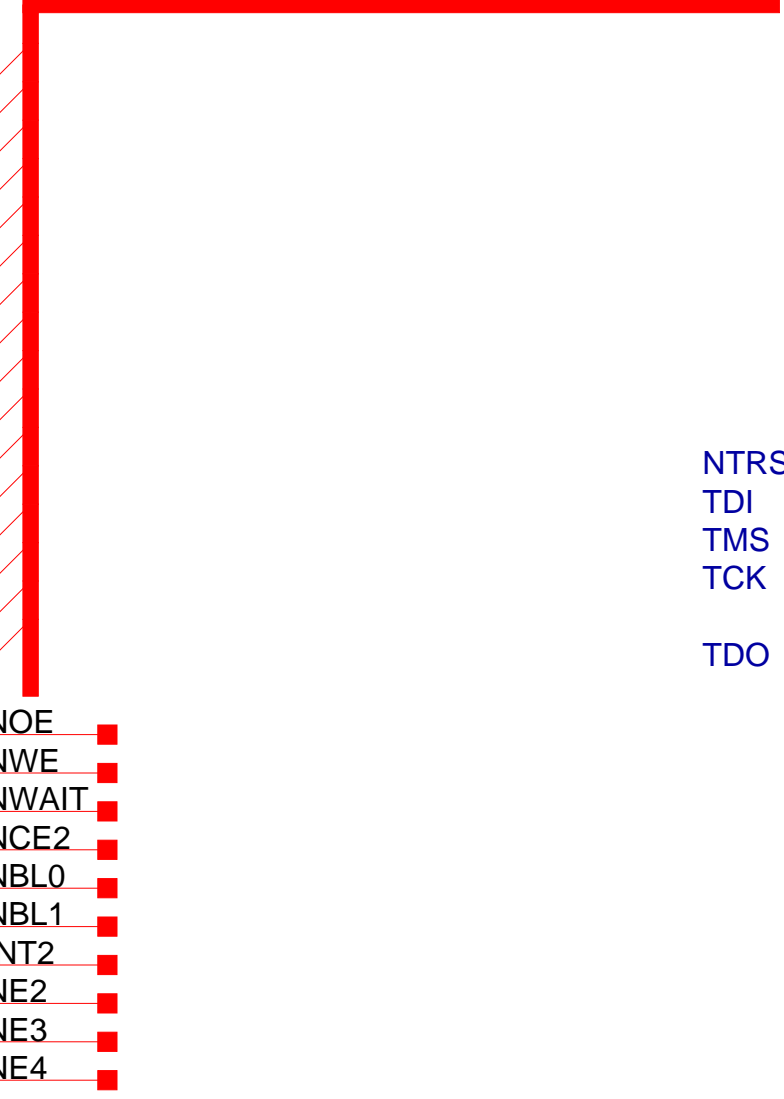
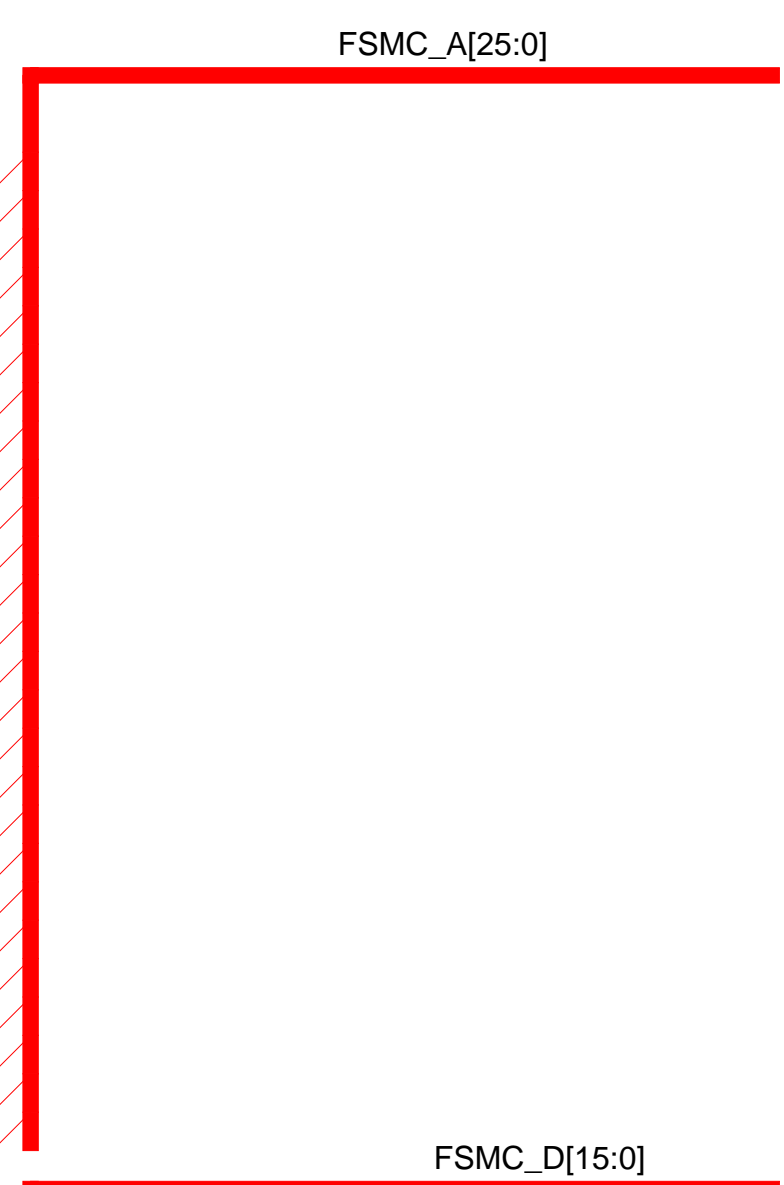
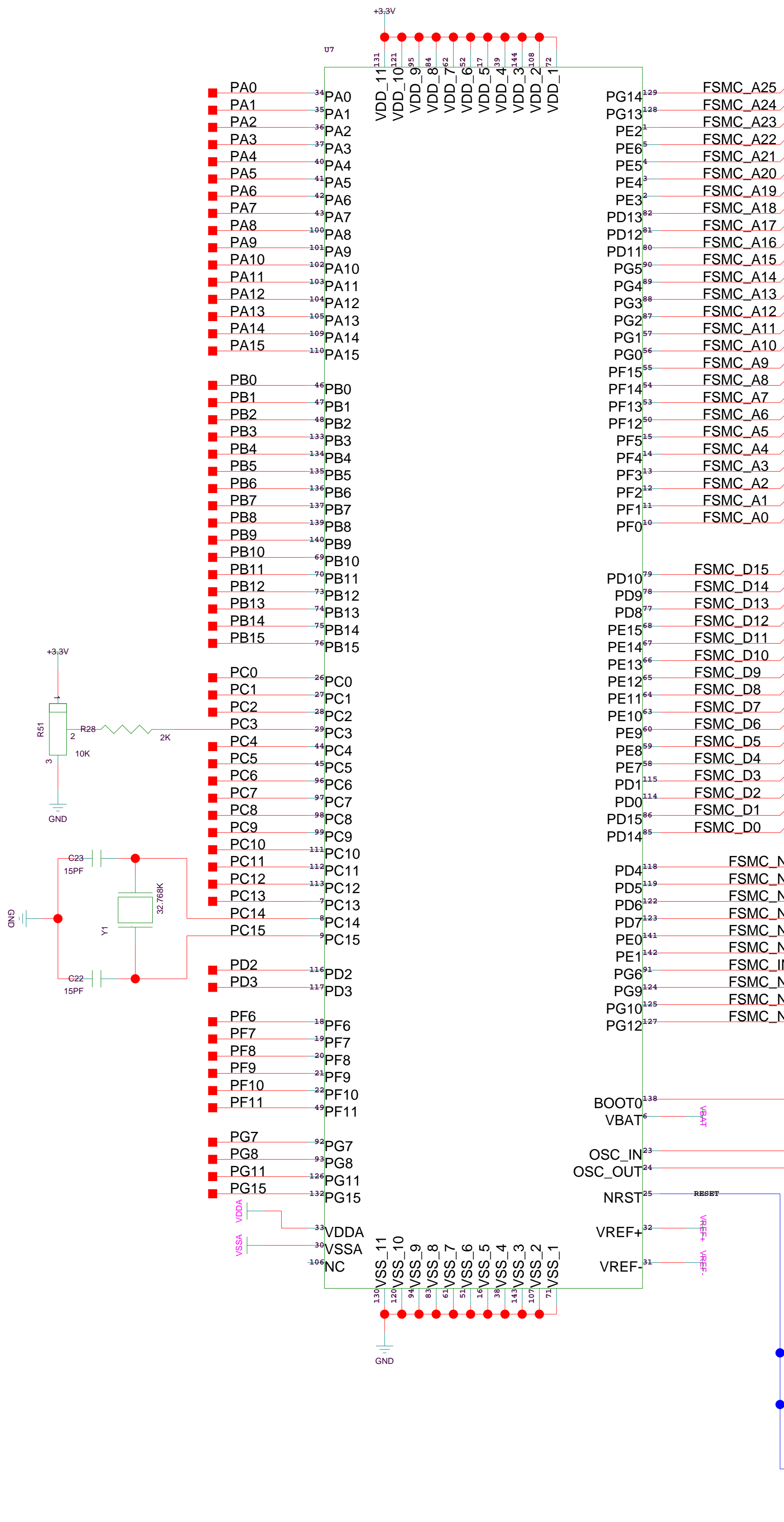
VDDA AND VREF



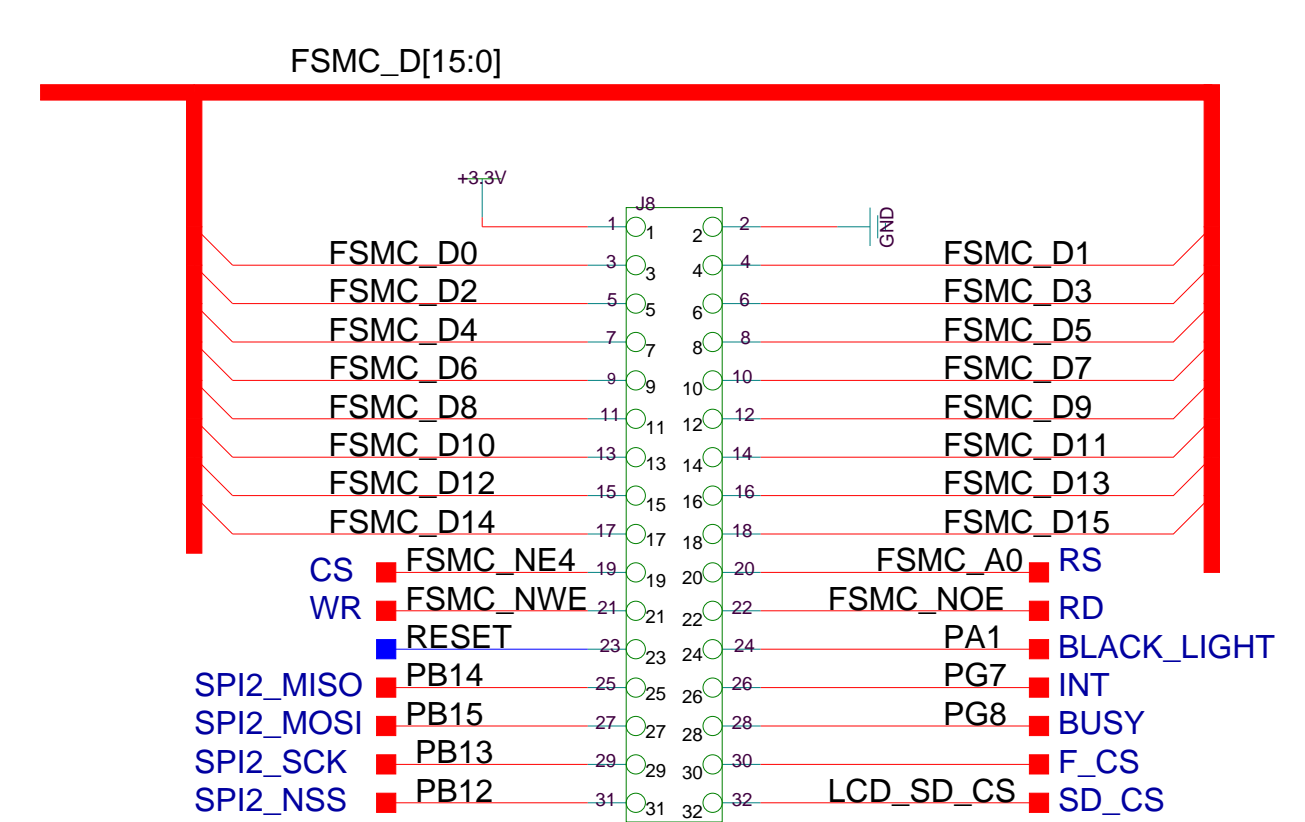
CAPACITOR



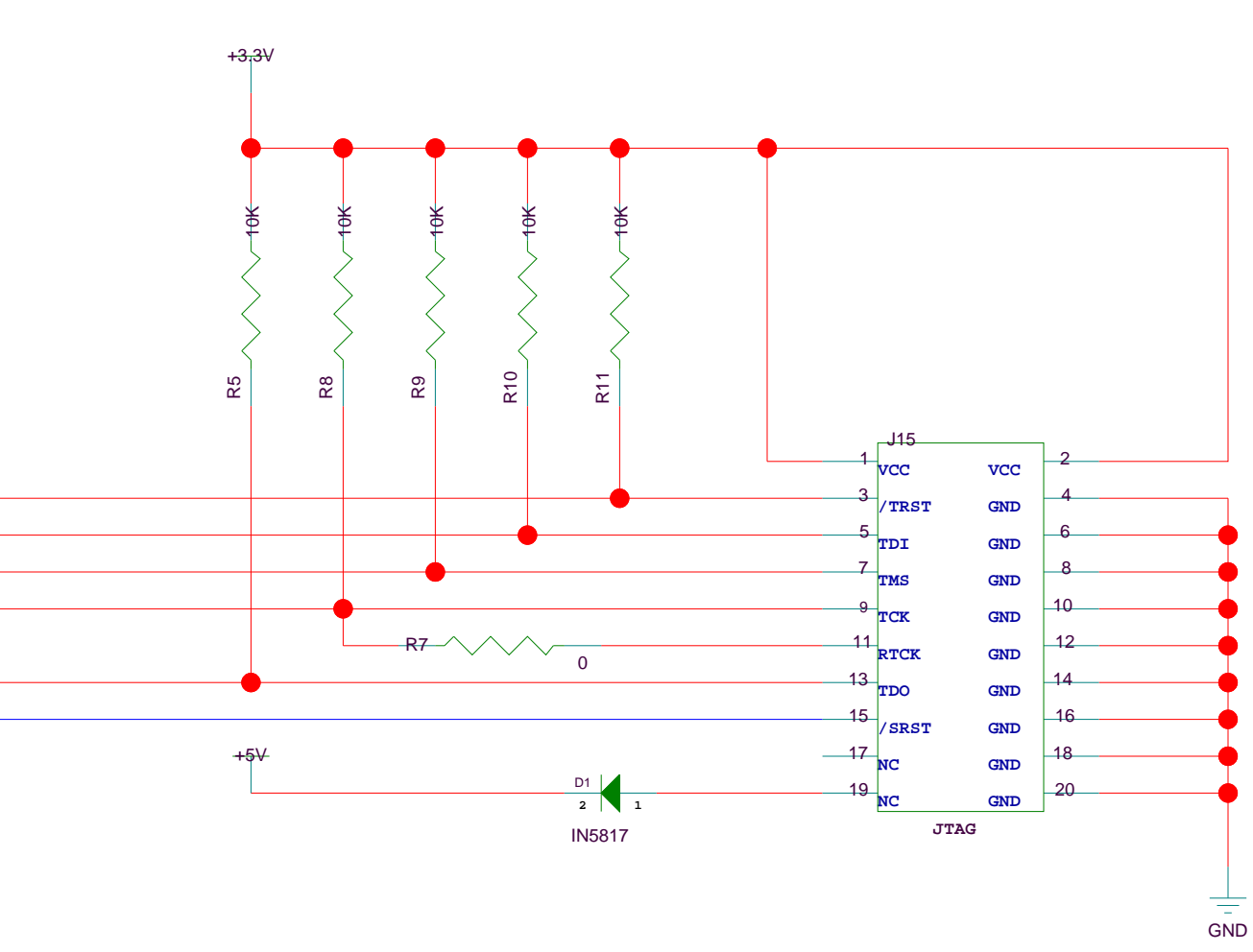
STM32F103ZET



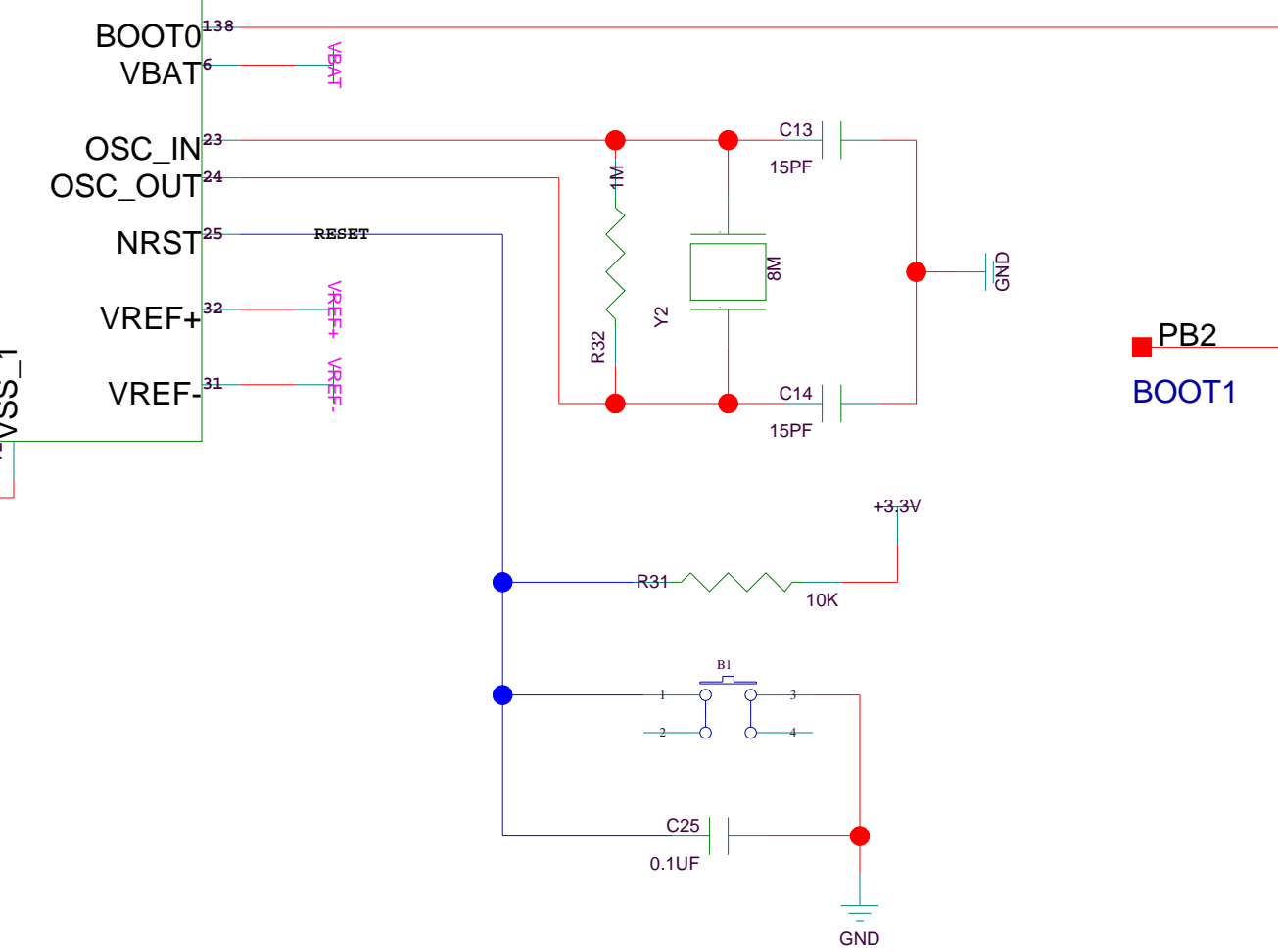
2.8/3.2 LCD



JTAG



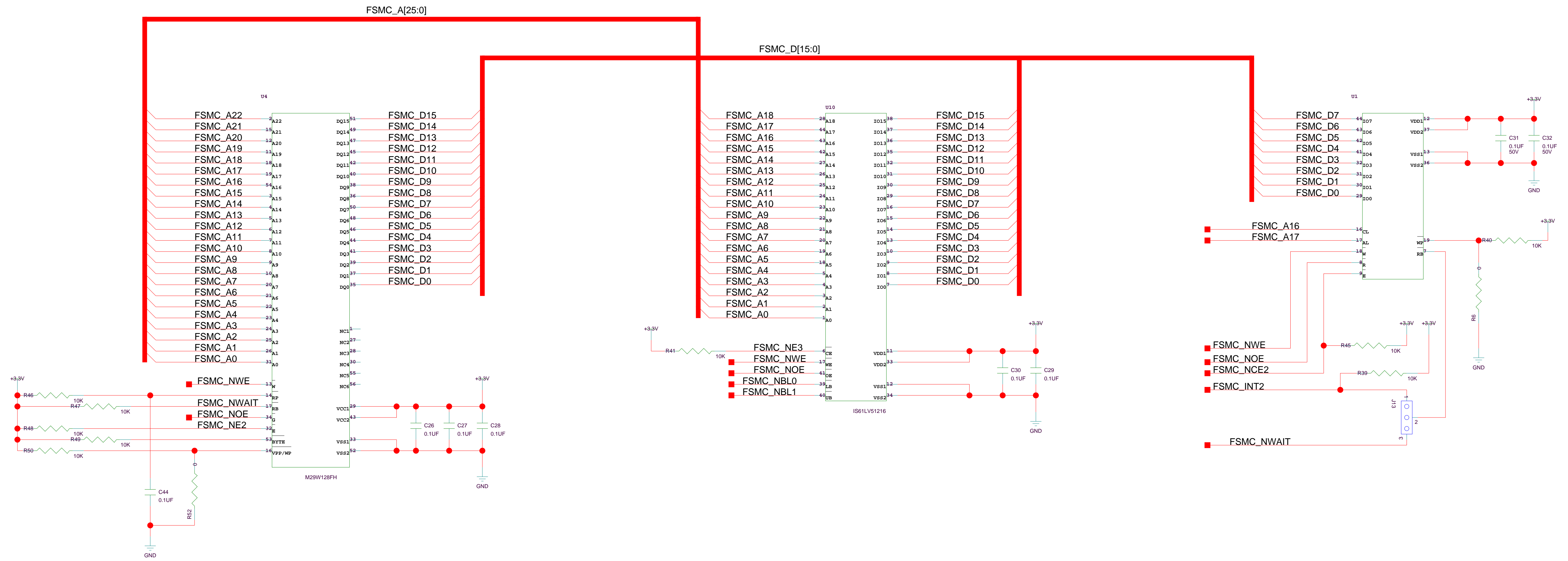
J9		J10		
1-2	2-3	1-2	2-3	
ON		ON	ON	Boot from User Flash (Default Setting)
ON		ON	ON	Boot from System Memory
	ON	ON	ON	Boot from Embedded SRAM



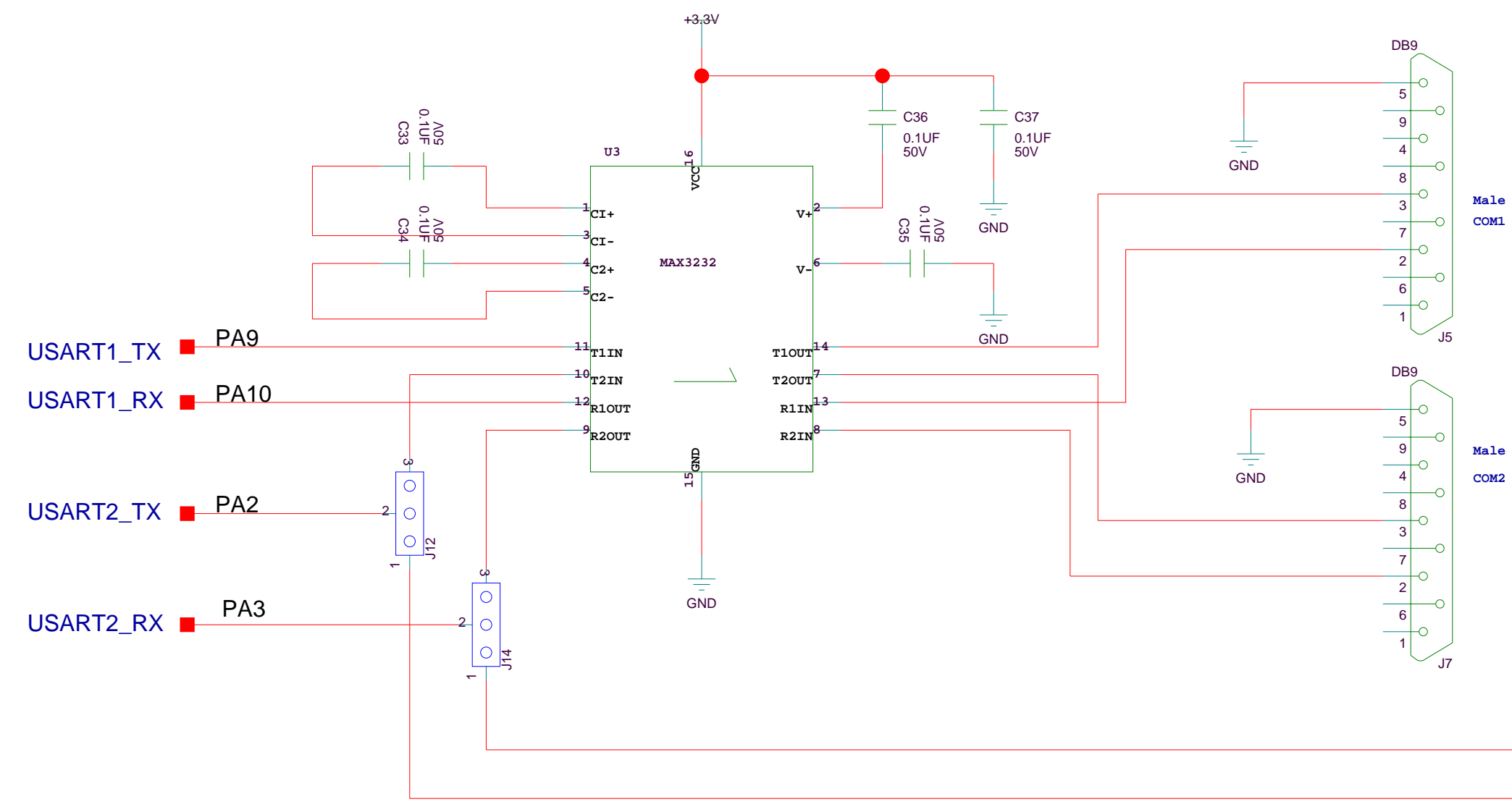
TITLE

PROJECT NAME

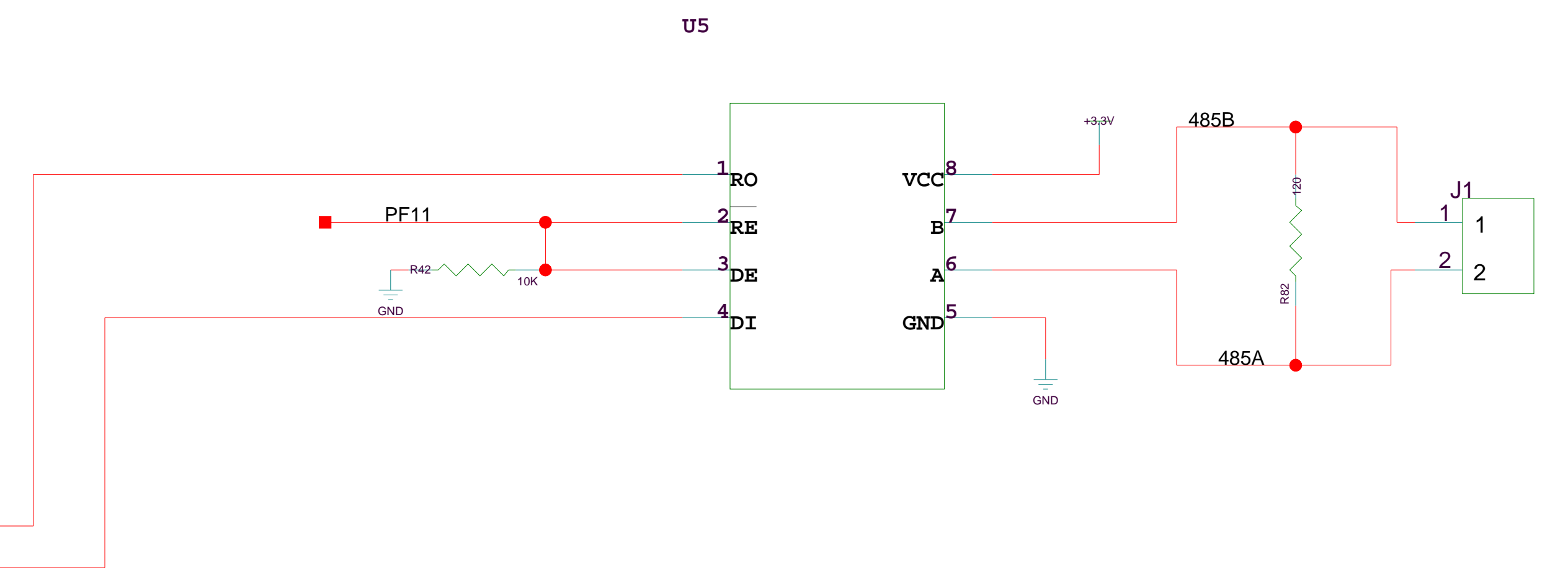
FLASH AND SRAM



RS-232



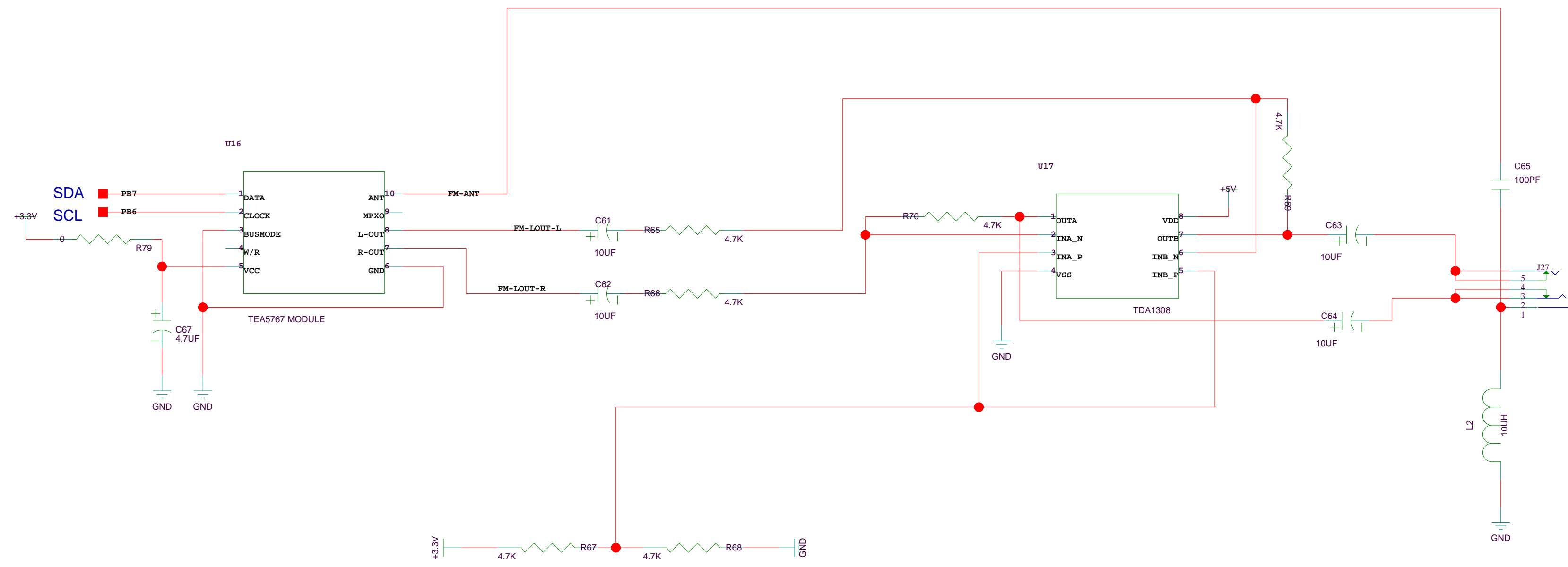
RS-485



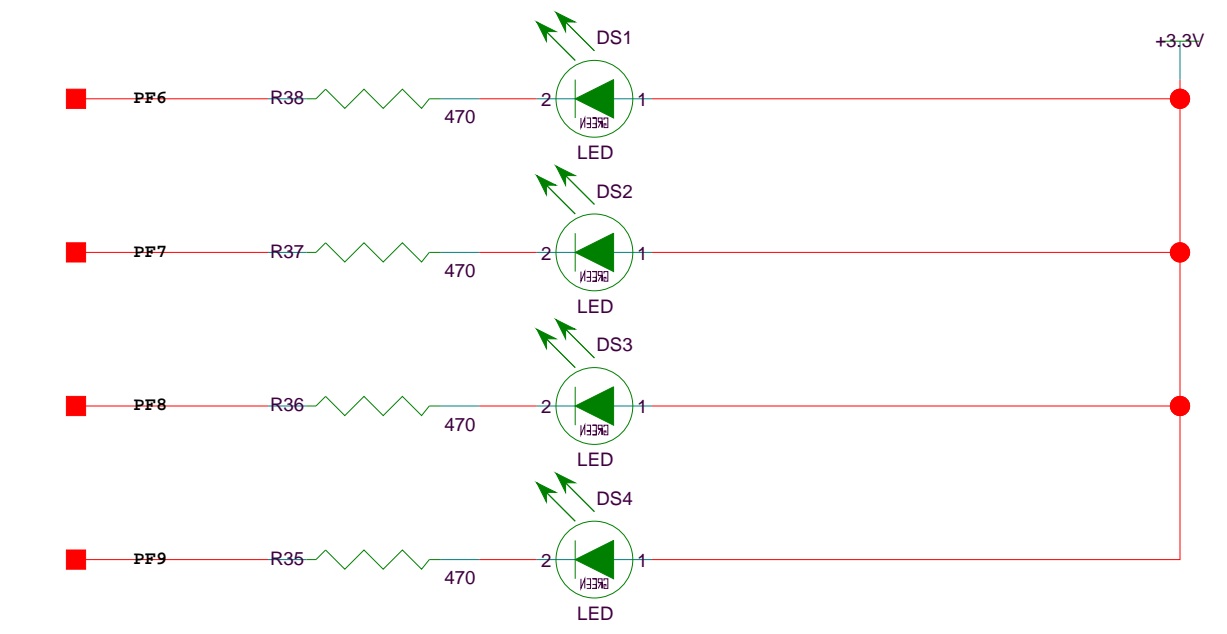
TITLE

PROJECT NAME

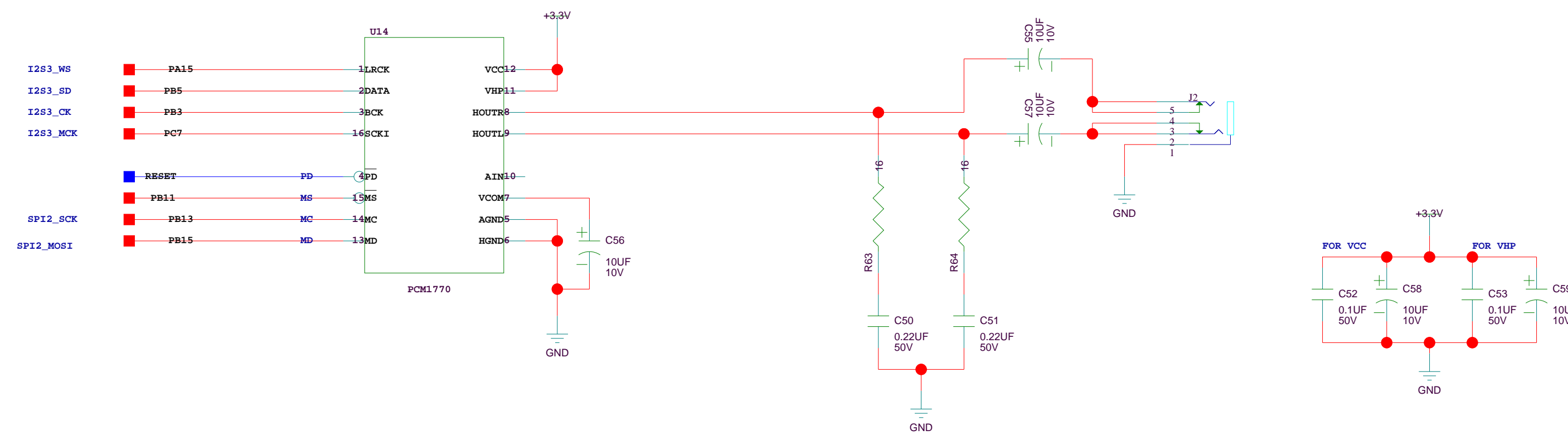
FM



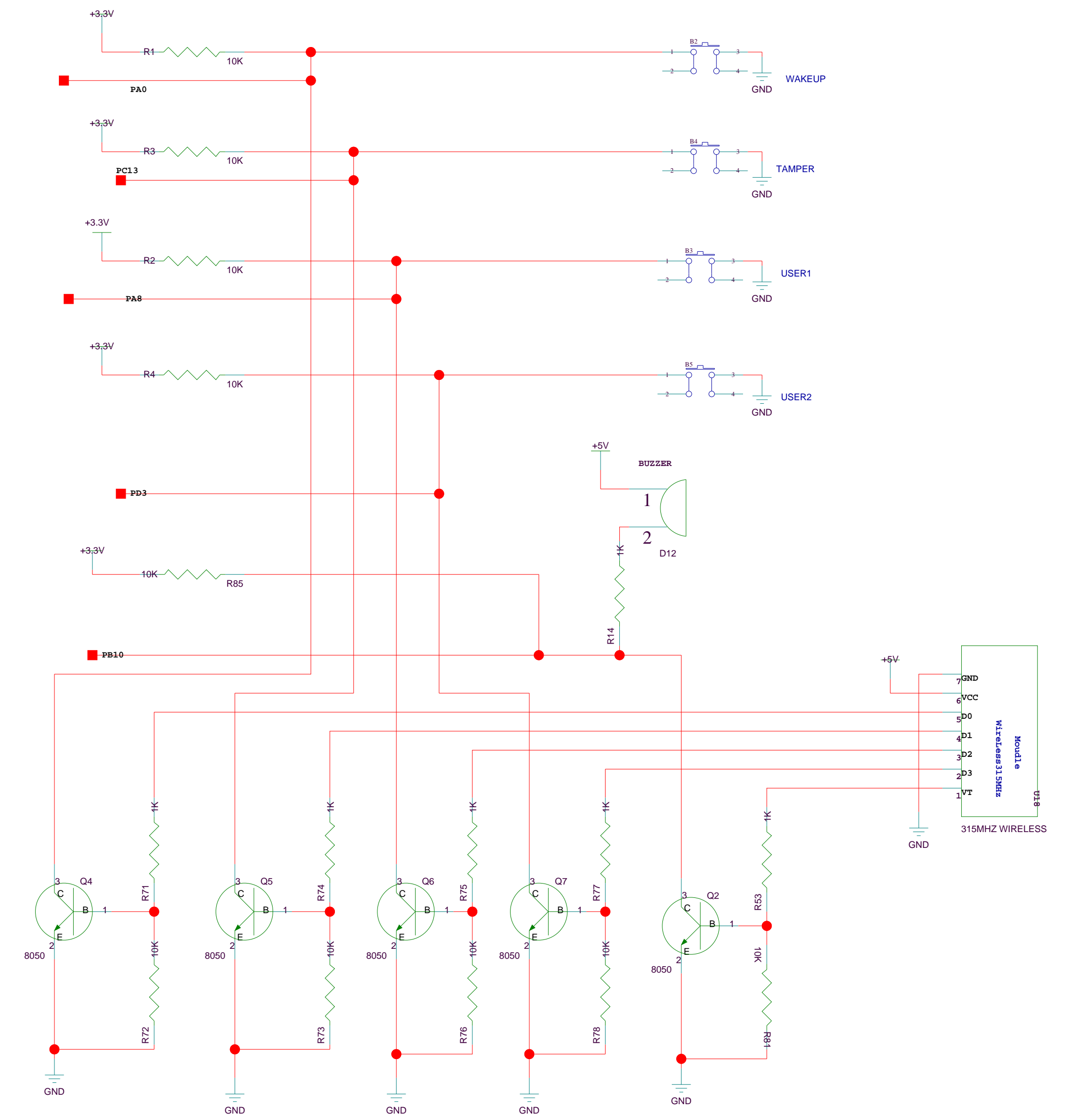
LED



AUDIO DAC

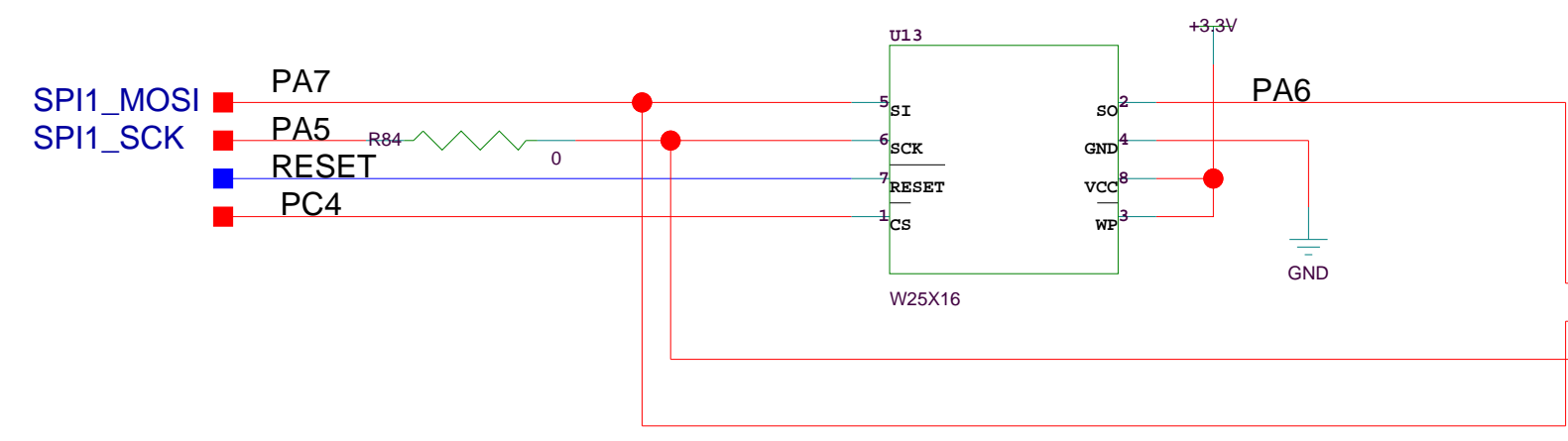


KEY AND 315MHZ WIRELESS MODULE

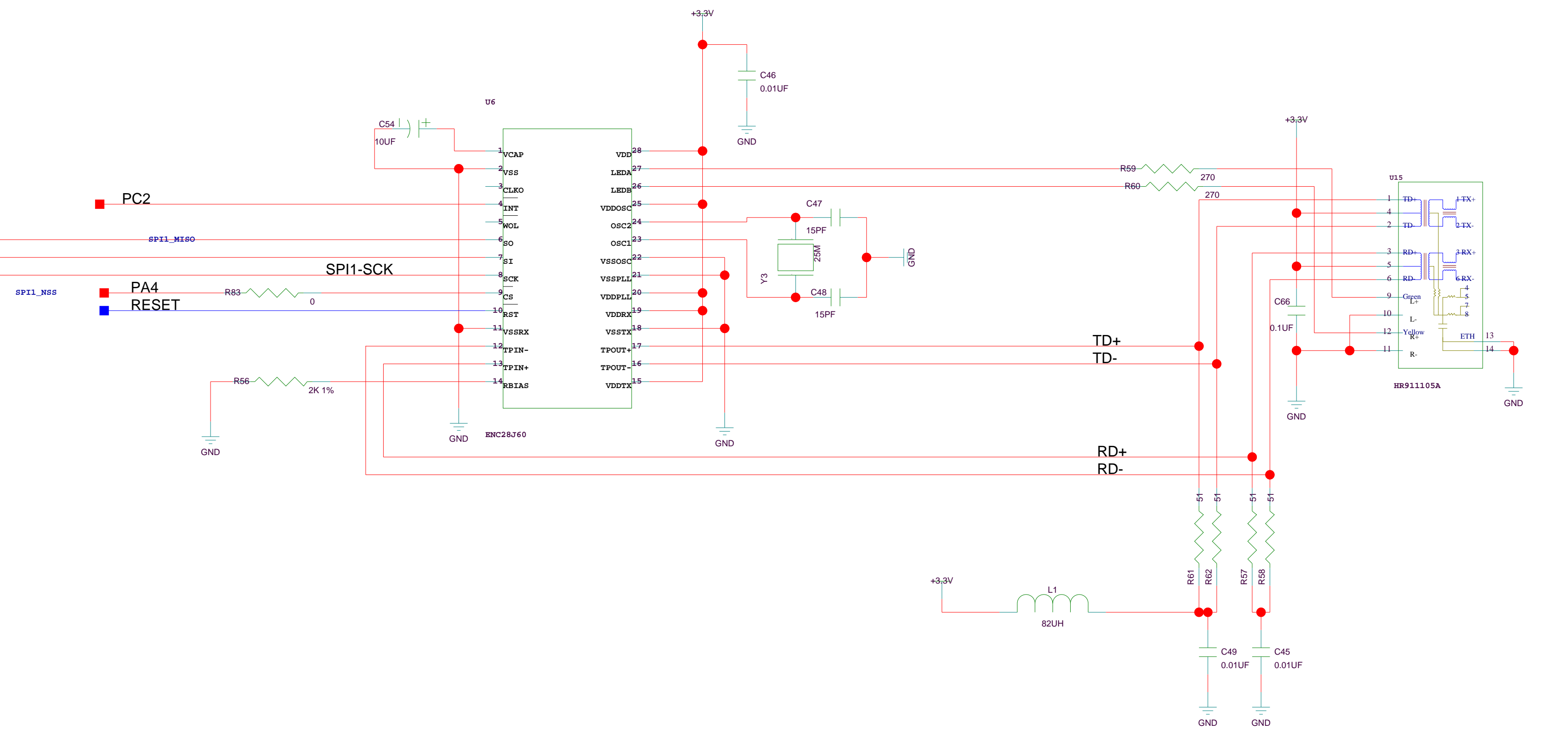


TITLE
PROJECT NAME

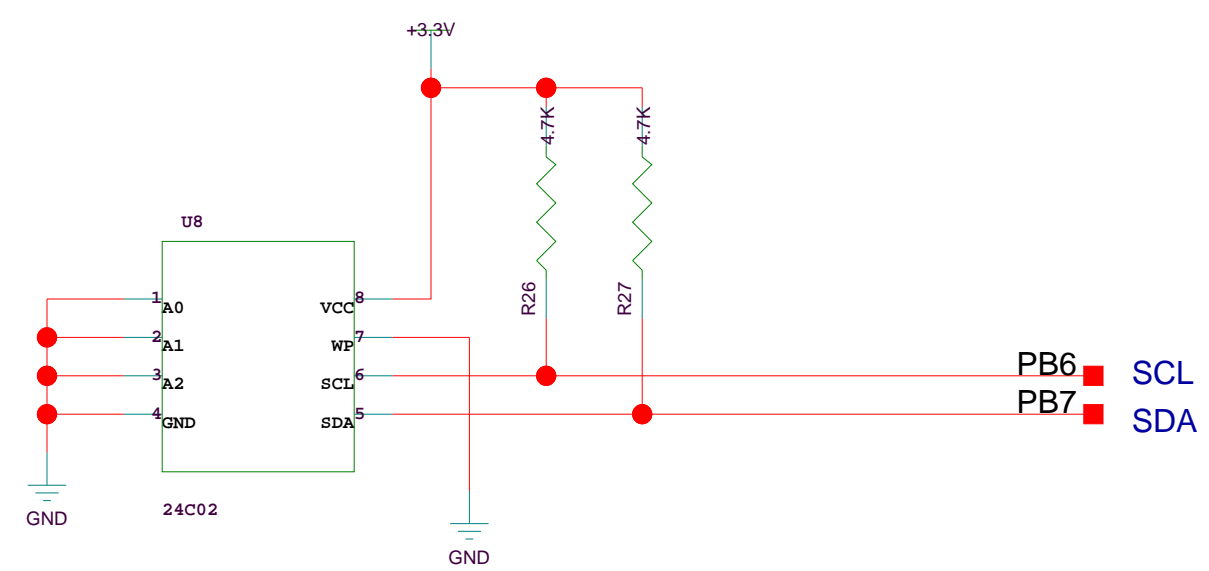
SPI FLASH



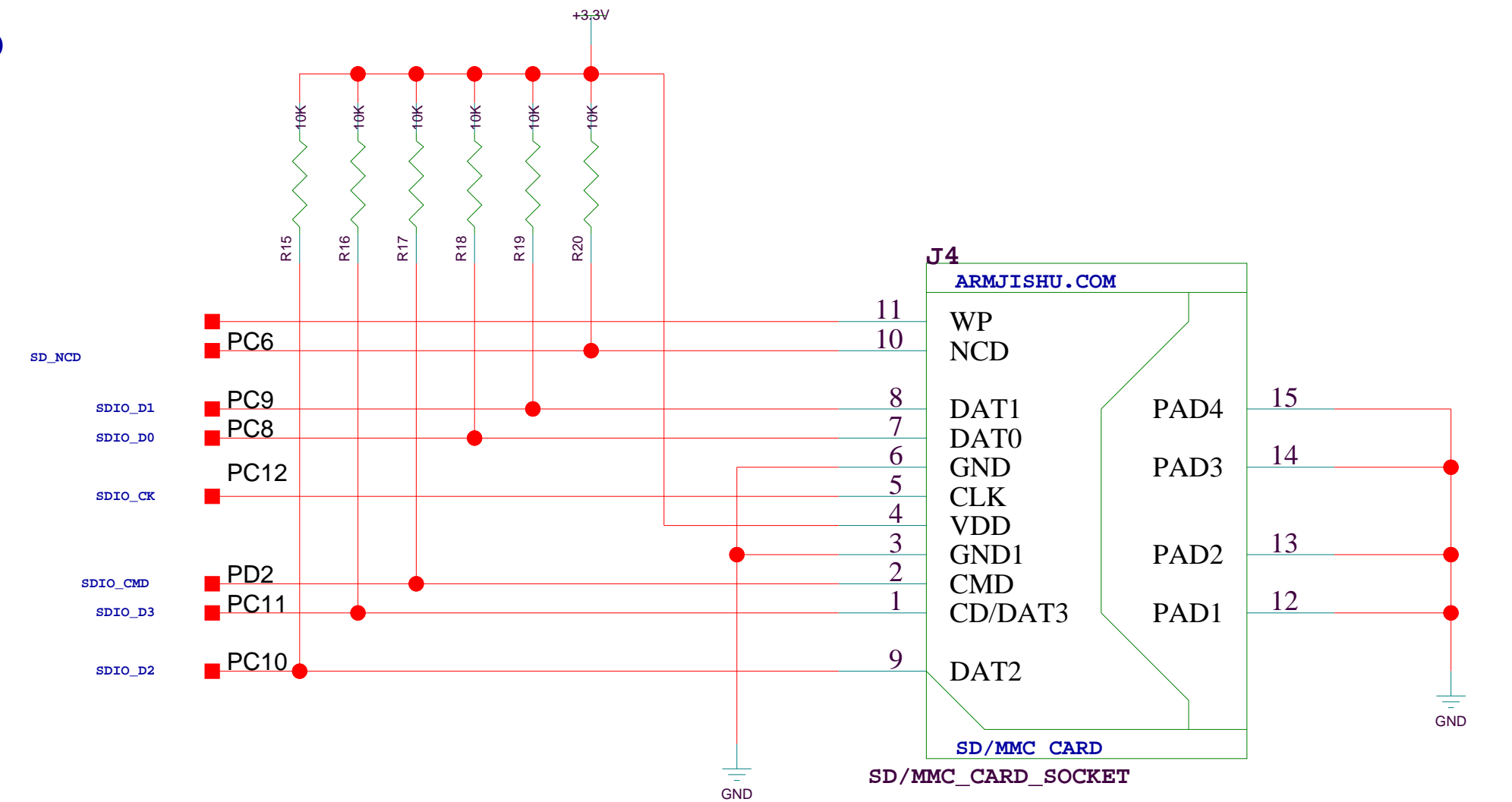
ETHERNET



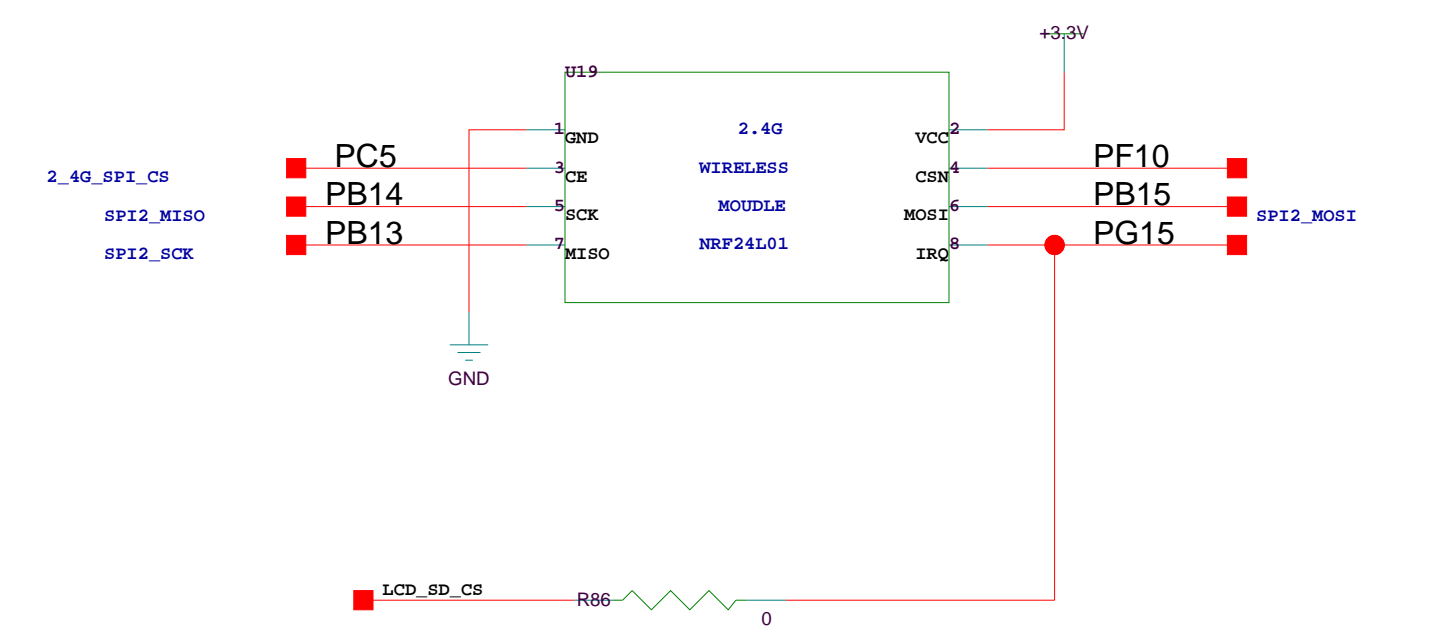
EEPROM



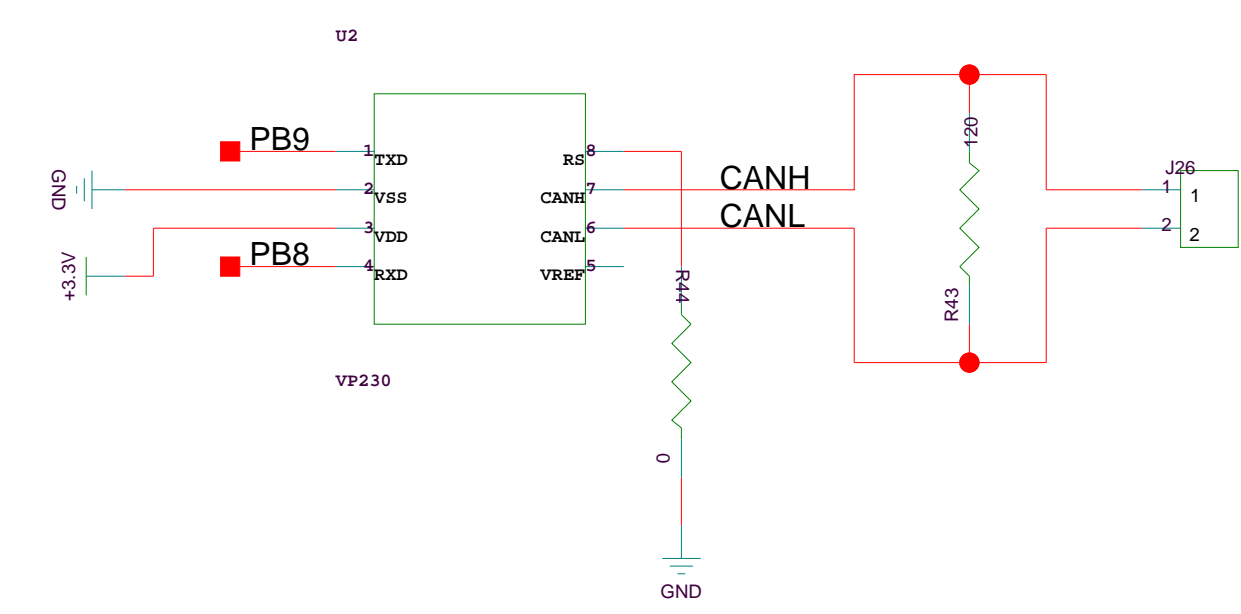
SD



2.4G WIRELESS MODULE

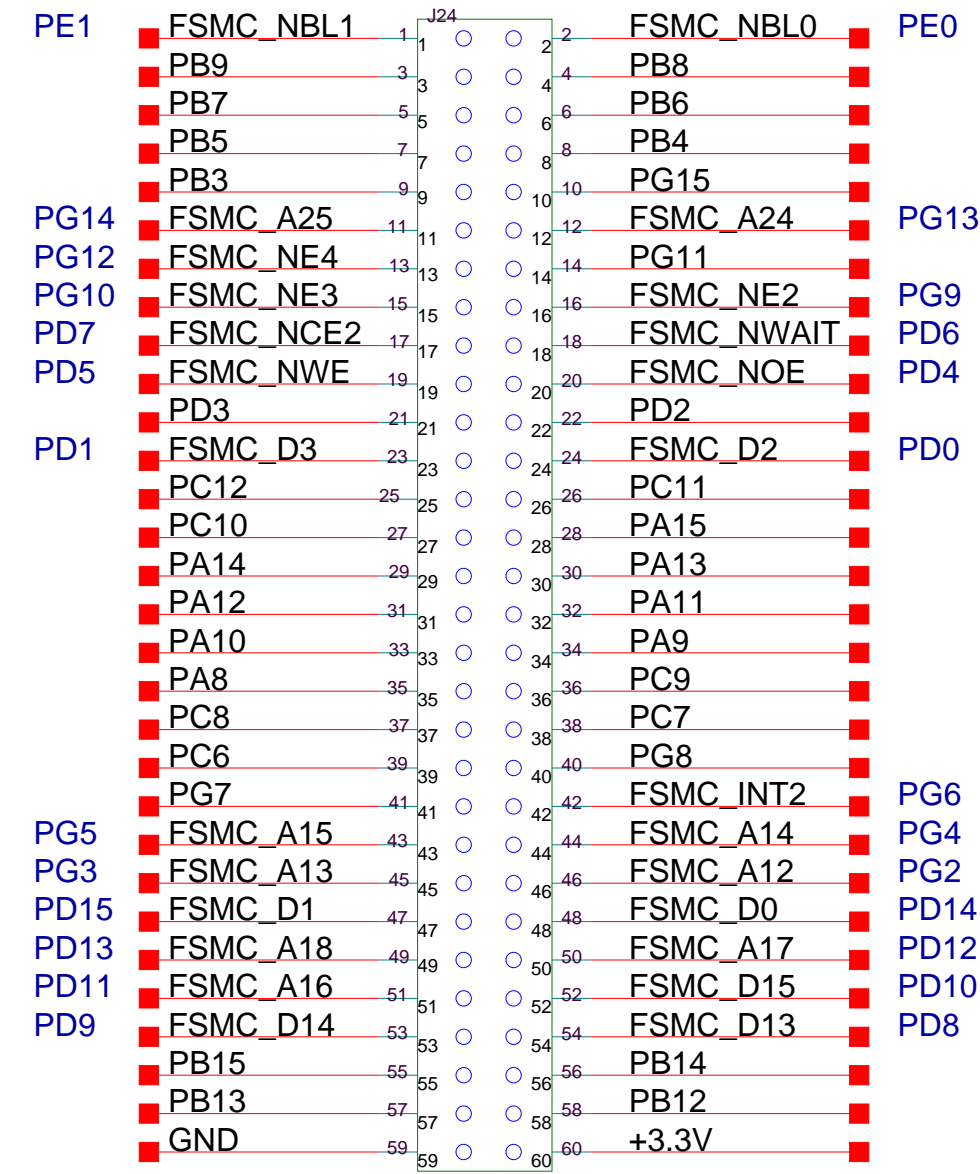
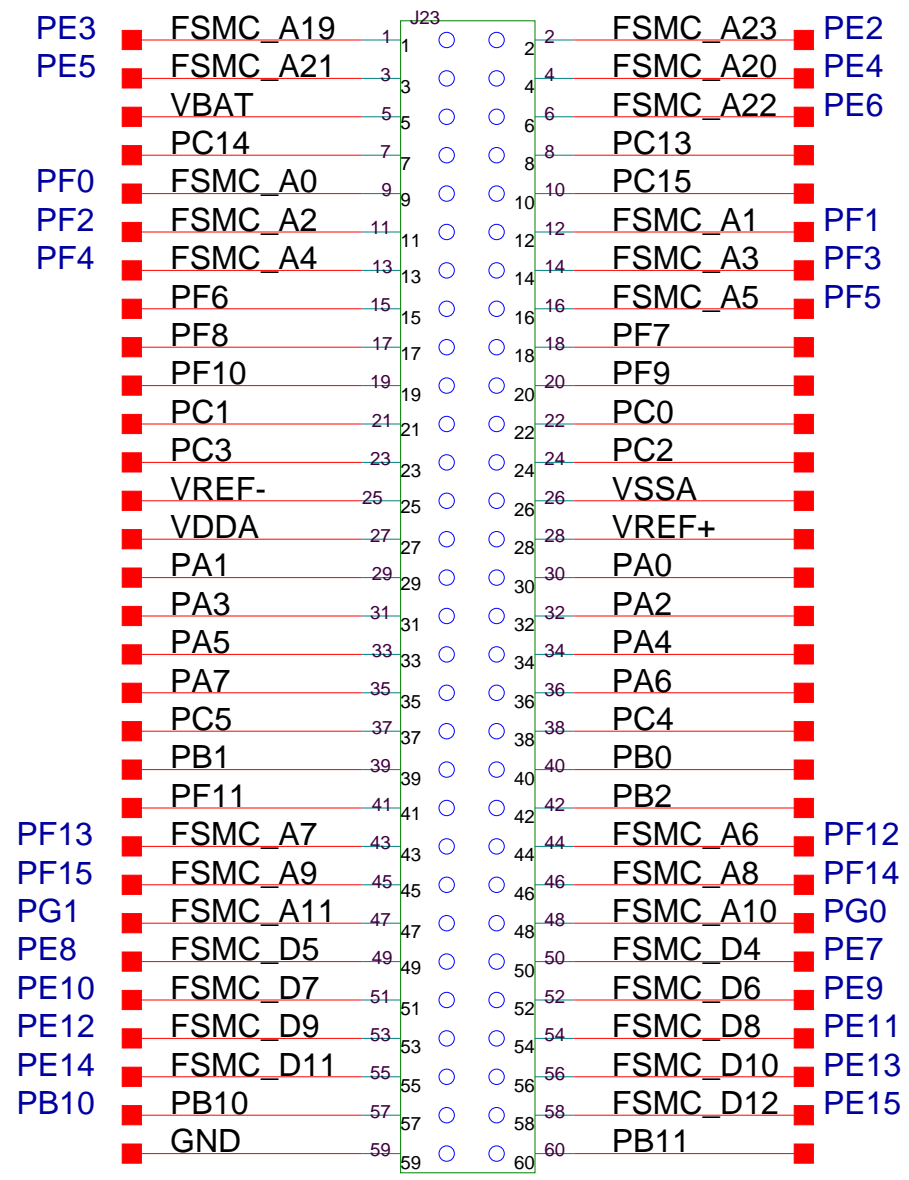


CAN

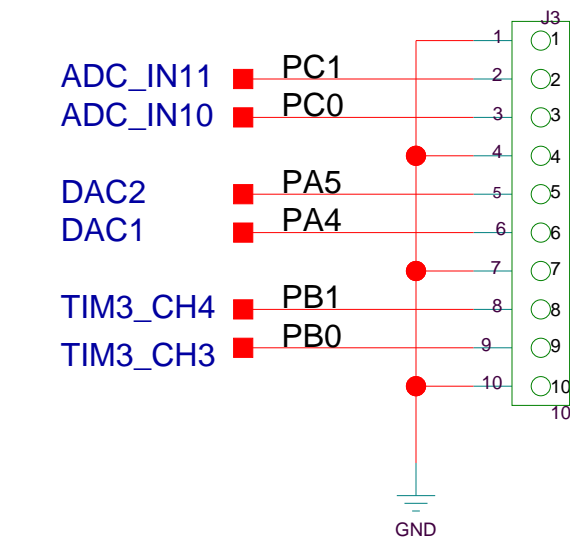


TITLE
PROJECT NAME

EXPANSION INTERFACE



AD/DA



TITLE

PROJECT NAME