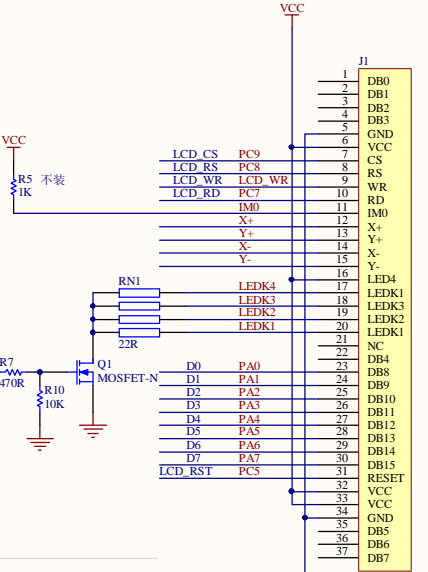
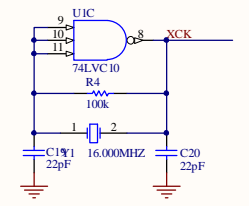
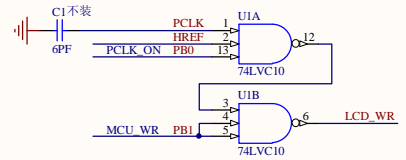
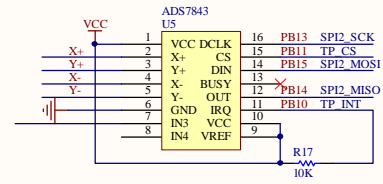
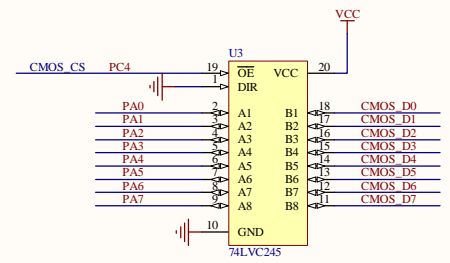
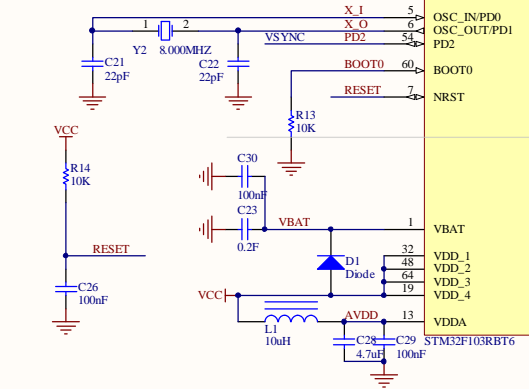
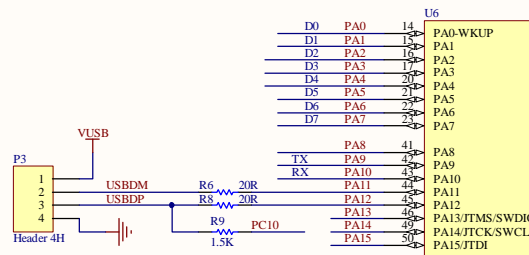
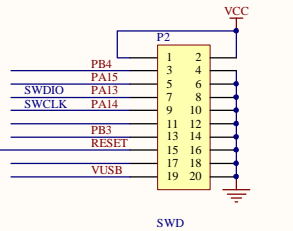
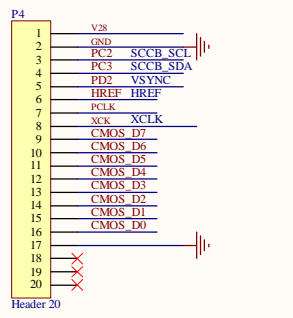


Header 14X2	
GND	1
GND	2
PC10	3
PA9	4
PA11	5
PA13	6
PA15	7
PB4	8
PB6	9
PB7	10
PB8	11
GND	12
BOOT0	13
PC0	14
GND	15
GND	16
GND	17
GND	18
GND	19
GND	20
VUSB	21
VCC	22
PA8	23
PA10	24
PA12	25
PA14	26
PB3	27
PB5	28
PC13	29



CMOS传感器接口



Title		
Size	Number	Revision
A3		
Date:	2013-4-1	Sheet of wangguifu@126.com
File:	D:\CAM_STM32_R1\CAM_STM32_R1	SB04v1n By: