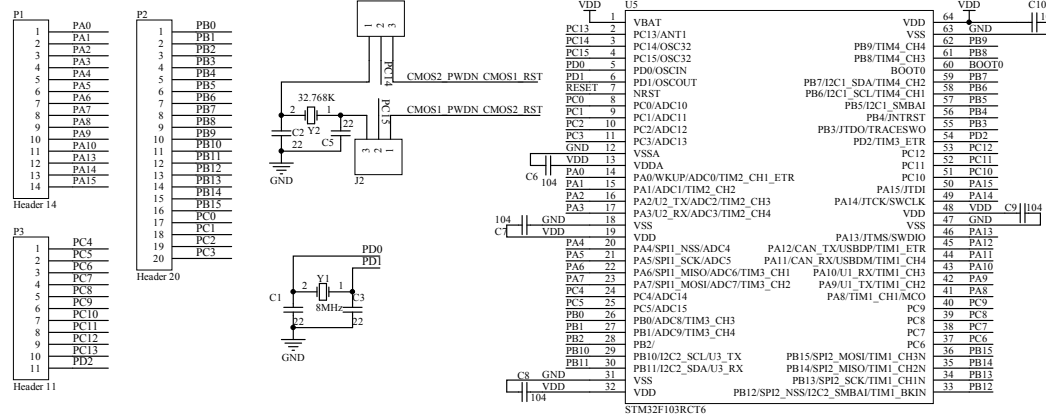
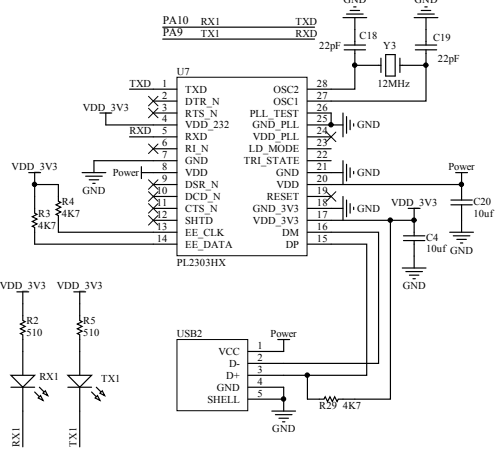


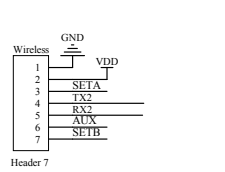
STM32F103RCT6



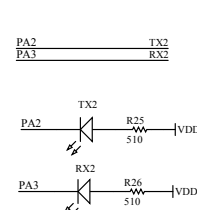
UART1



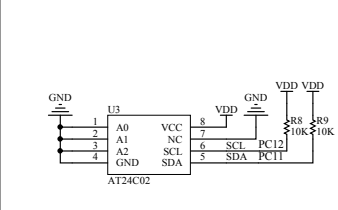
WIRELESS



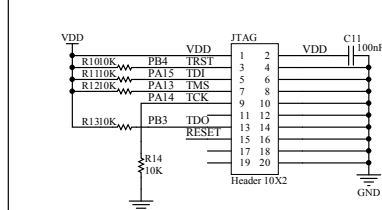
UART2



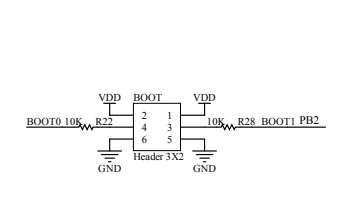
E2ROM



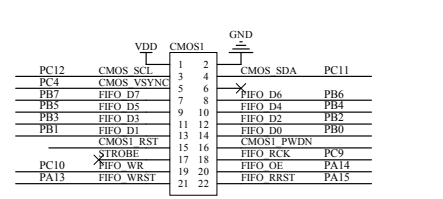
JTAG



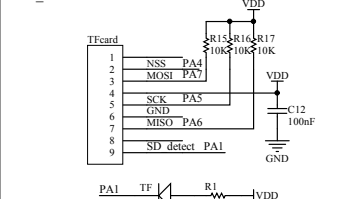
BOOTS



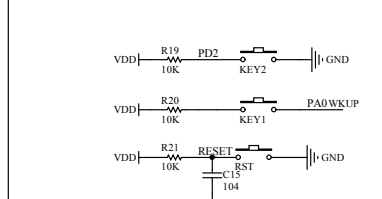
CMOS1



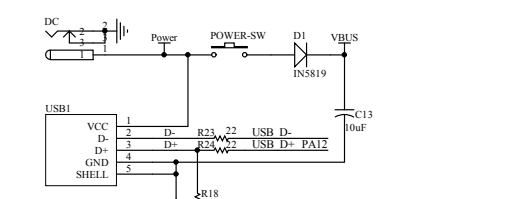
TF_CARD



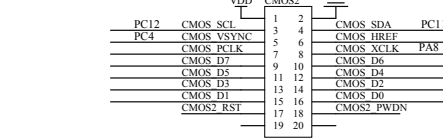
KEYS



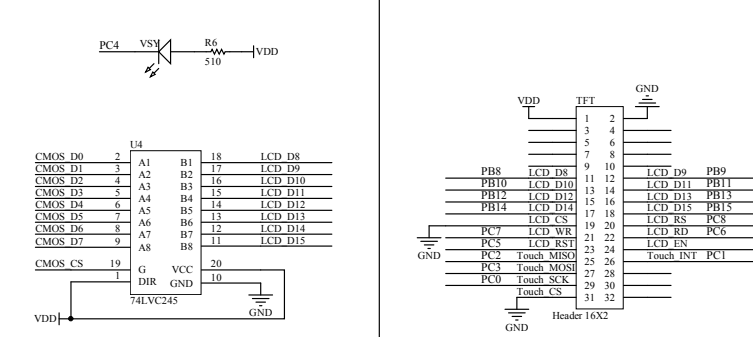
POWER



CMOS2



TFT



TFT

