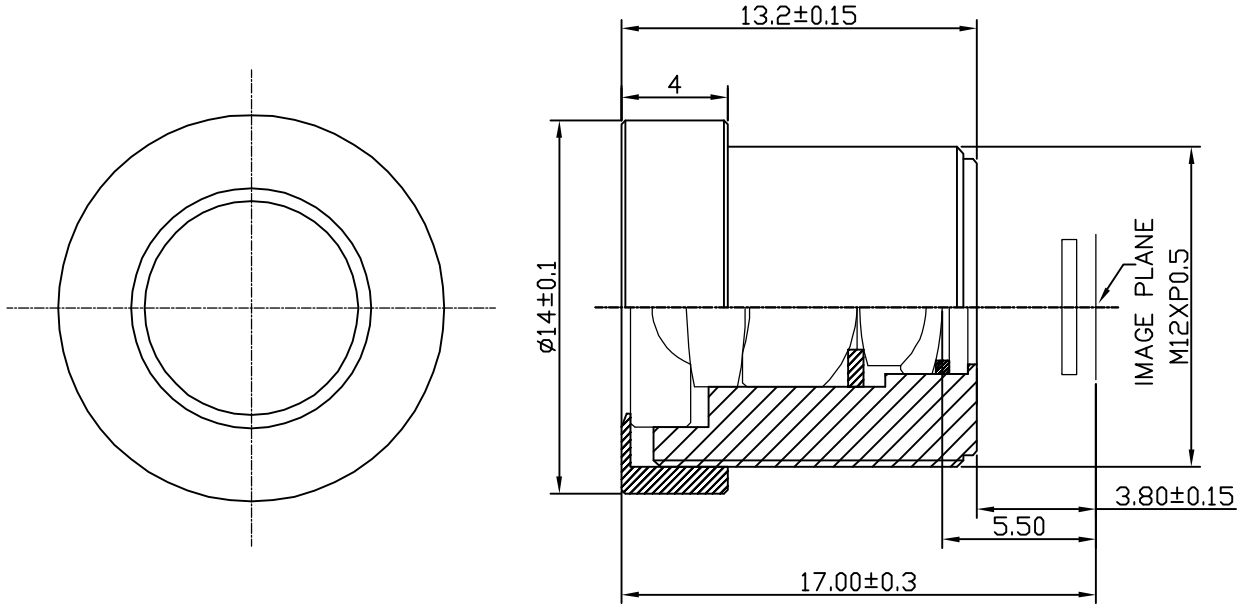


PRODUCT NAME : 3018-A1

1. SPECIFICATION :

SPECIFICATION			
1	SENSOR SIZE	1/3"	1/4"
2	WAVELENGTH	400-700nm(COLOR)	
3	FOCAL LENGTH (EFL)	f=3.0	
4	F/NO (INFINITE)	F/NO=1.8	
5	BACK FOCAL LENGTH	BFL=5.5	
6	FLANGE BACK LENGTH	FB=3.8	
7	FIELD OF VIEW (DIAGONAL)	120°	90°
8	FIELD OF VIEW (Horizontal angle)	105°	75°
9	FIELD OF VIEW (Vertical angle)	90°	55°
10	OPTICAL DISTORTION (DIAGONAL)	-55.00%	
11	THREAD SIZE	M12XP0.5	
12	ELEMENT	5ELEMENT+IR	
13	IR FILTER SPEC	T50%=650±15nm	

2. OPTICAL LAYOUT :
scale 4 : 1



UNIT	mm	BORDER	A4	NAME	DATE
SCALE	4:1	DRAWING BY			
SURFACE		CHECKED BY			
VIEW		APPROVED BY			

REV	DESCRIPTION	DATE	NAME
①			
②			
③			
④			
⑤			

PRODUCT NAME : 3018-A1