

1

2

3

4

5

6

D

D

C

C

B

B

A

A

Micro2440
01-Micro2440.sch



UART
02-Power-UART-USB-ETC.sch



Audio
03-Audio.sch



DM9000
04-DM9000.sch



Micro2440SDK 20090530

1

2

3

4

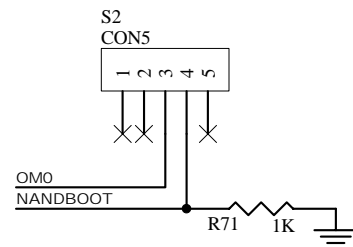
5

6

Micro2440 Core Board

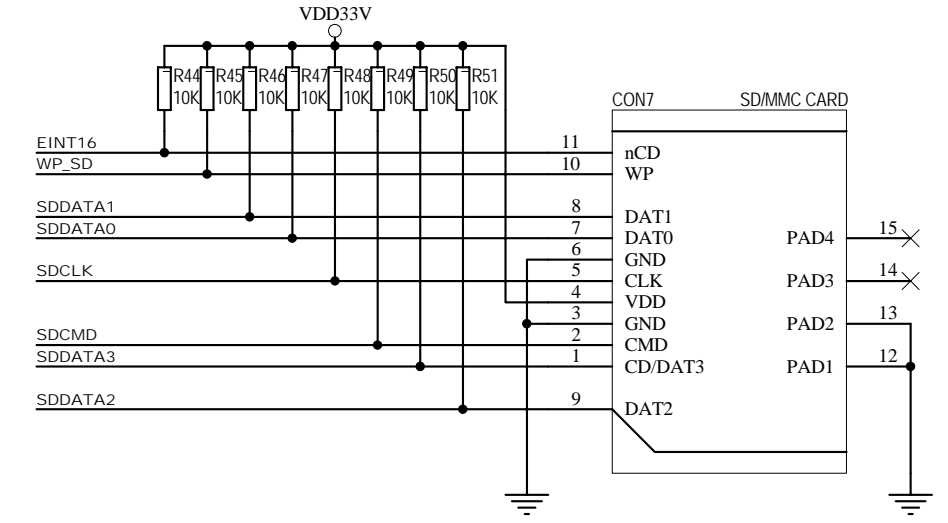
VDD5V	PA1	PA1	PA2	PA2	GND
EINT19	PA3	PA3	PA4	PA4	EINT18
EINT17	PA5	PA5	PA6	PA6	EINT16
EINT15	PA7	PA7	PA8	PA8	EINT14
EINT13	PA9	PA7	PA8	PA10	EINT11
EINT8	PA11	PA11	PA12	PA12	EINT6
EINT5	PA13	PA15	PA16	PA14	EINT4
EINT3	PA15	PA13	PA14	PA16	EINT2
EINT1	PA17	PA15	PA16	PA18	EINT0
WP_SD	PA19	PA17	PA18	PA20	SDCLK
SDCMD	PA21	PA19	PA20	PA22	SDDATA2
SDDATA3	PA23	PA21	PA22	PA24	SDDATA0
SDDATA1	PA25	PA23	PA24	PA26	OMO
LCDVFO	PA27	PA25	PA26	PA28	M_nRESET
DN1	PA29	PA27	PA28	PA30	DP1
DN0	PA31	PA29	PA30	PA32	DPO
AIN2	PA33	PA31	PA32	PA34	VDDRTC
AIN0	PA35	PA33	PA34	PA36	AIN1
L3MODE	PA37	PA35	PA36	PA38	L3DATA
L3CLOCK	PA39	PA37	PA38	PA40	I2SLRCK
I2SSCLK	PA41	PA39	PA40	PA42	CDCLK
I2SSDI	PA43	PA41	PA42	PA44	I2SSDO
GPB0	PA45	PA43	PA44	PA46	GPB1
TXD2	PA47	PA45	PA46	PA48	RXD2
TXD1	PA49	PA47	PA48	PA50	RXD1
TXD0	PA51	PA49	PA50	PA52	RXD0
nCTS0	PA53	PA51	PA52	PA54	nRTS0
I2CSDA	PA55	PA53	PA54	PA56	I2CSCL

GND	PC56	PC56	PC55	PC53	VDD5V
LDATA15	PC54	PC54	PC53	PC51	LDATA14
LDATA13	PC52	PC52	PC51	PC49	LDATA12
LDATA11	PC50	PC48	PC47	PC49	LDATA10
LDATA9	PC48	PC50	PC49	PC47	LDATA8
LDATA7	PC46	PC46	PC45	PC45	LDATA6
LDATA5	PC44	PC42	PC41	PC43	LDATA4
LDATA3	PC42	PC44	PC43	PC41	LDATA2
LDATA1	PC40	PC42	PC41	PC39	LDATA0
LADDR24	PC38	PC40	PC39	PC37	LADDR23
LADDR22	PC36	PC38	PC37	PC35	LADDR21
LADDR20	PC34	PC36	PC35	PC33	LADDR19
LADDR18	PC32	PC34	PC33	PC31	LADDR17
LADDR16	PC30	PC32	PC31	PC29	LADDR15
LADDR14	PC28	PC30	PC29	PC27	LADDR13
LADDR12	PC26	PC28	PC27	PC25	LADDR11
LADDR10	PC24	PC26	PC25	PC23	LADDR9
LADDR8	PC22	PC24	PC23	PC21	LADDR7
LADDR6	PC20	PC22	PC21	PC19	LADDR5
LADDR4	PC18	PC20	PC19	PC17	LADDR3
LADDR2	PC16	PC18	PC17	PC15	LADDR1
nXDREQ0	PC14	PC16	PC15	PC13	LADDR0
nXDACK0	PC12	PC14	PC13	PC11	nWAIT
nRESET	PC10	PC12	PC11	PC9	LnOE
LnWE	PC8	PC10	PC9	PC7	LnGCS4
LnWBE1	PC6	PC8	PC7	PC5	LnGCS2
LnGCS3	PC4	PC6	PC5	PC3	LnGCS1
EINT9	PC2	PC4	PC3	PC1	EINT7

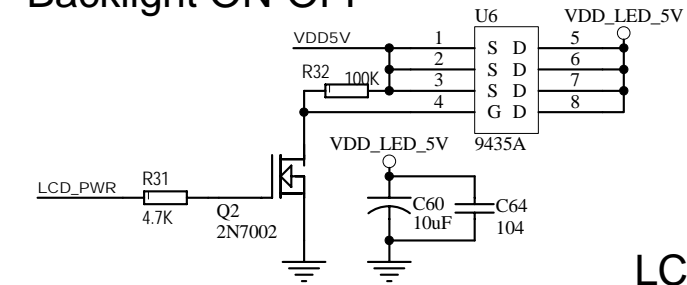


GND	PB50	PB50	PB49	PB49	VDD5V
CAMRST	PB48	PB48	PB47	PB47	EINT20
CAM_HREF	PB46	PB46	PB45	PB45	CAM_VSYNC
CAM_PCLK	PB44	PB44	PB43	PB43	CAMCLK
CAMDATA0	PB42	PB44	PB43	PB41	CAMDATA1
CAMDATA2	PB40	PB42	PB41	PB39	CAMDATA3
CAMDATA4	PB38	PB40	PB39	PB37	CAMDATA5
CAMDATA6	PB36	PB38	PB37	PB35	CAMDATA7
LEND	PB34	PB36	PB35	PB33	VCLK
VLINE	PB32	PB34	PB33	PB31	VFRAME
VM	PB30	PB32	PB31	PB29	LCD_PWR
VD1	PB28	PB30	PB29	PB27	VDO
VD3	PB26	PB28	PB27	PB25	VD2
VD5	PB24	PB26	PB25	PB23	VD4
VD7	PB22	PB24	PB23	PB21	VD6
VD9	PB20	PB22	PB21	PB19	VD8
VD11	PB18	PB20	PB19	PB17	VD10
VD13	PB16	PB18	PB17	PB15	VD12
VD15	PB14	PB16	PB15	PB13	VD14
VD17	PB12	PB14	PB13	PB11	VD16
VD19	PB10	PB12	PB11	PB9	VD18
VD21	PB8	PB10	PB9	PB7	VD20
VD23	PB6	PB8	PB7	PB5	VD22
TSXP	PB4	PB6	PB5	PB3	TSXM
TSYP	PB2	PB4	PB3	PB1	TSYM

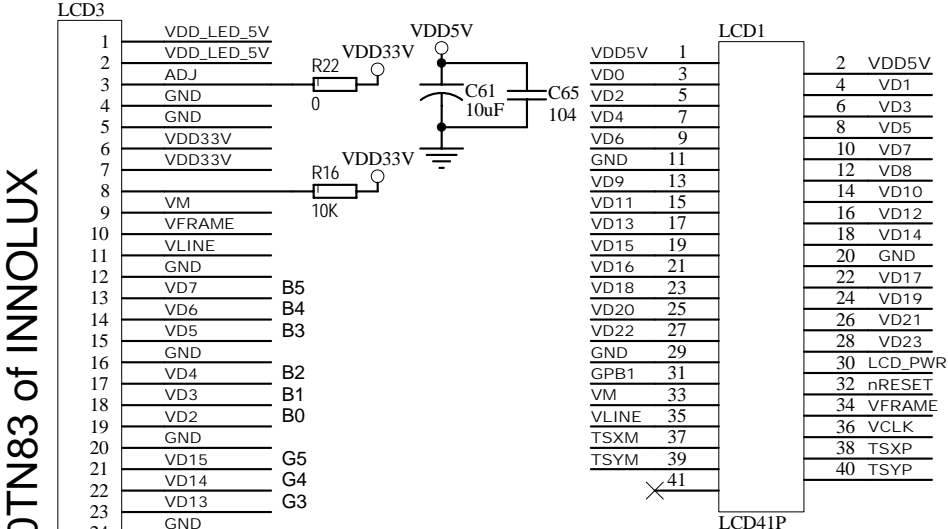
SD Card Socket



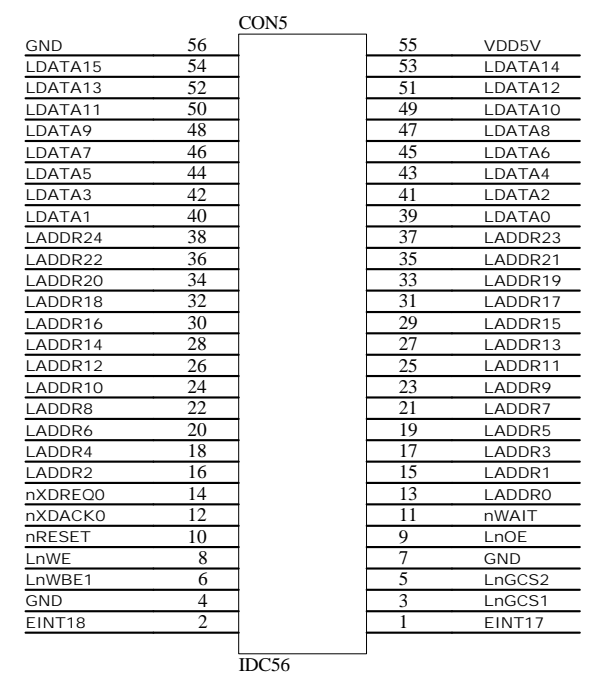
Backlight ON-OFF



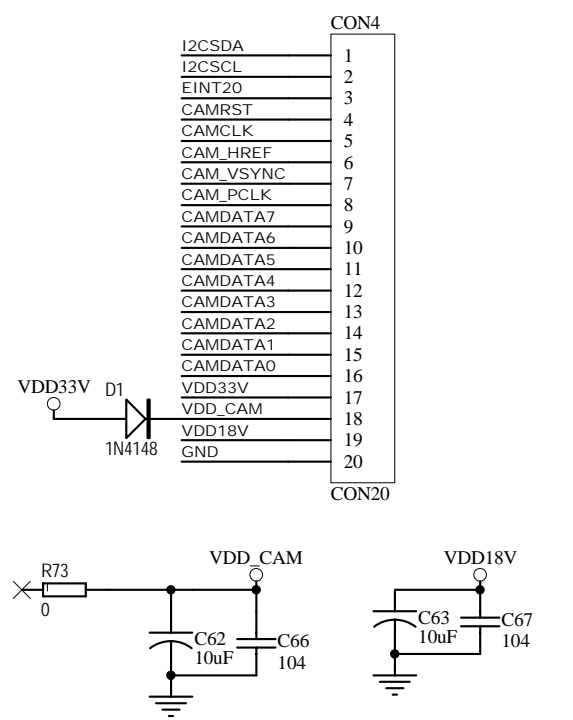
LCD Connector



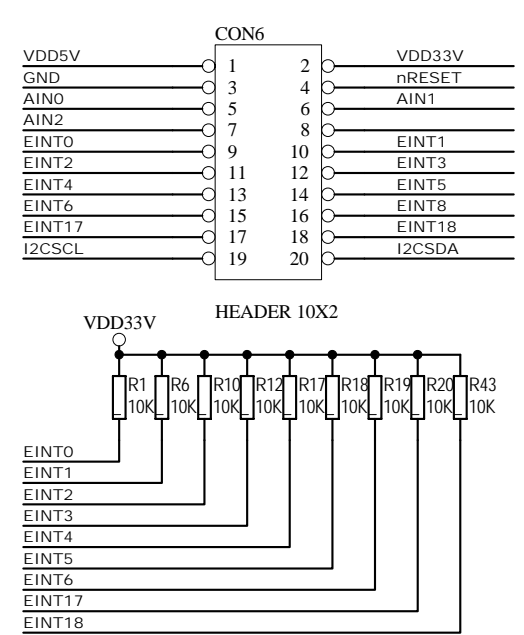
Extend System Bus Connector



CMOS Camera Connector

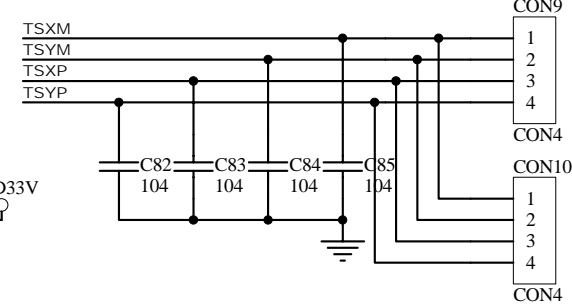


GPIO Connector

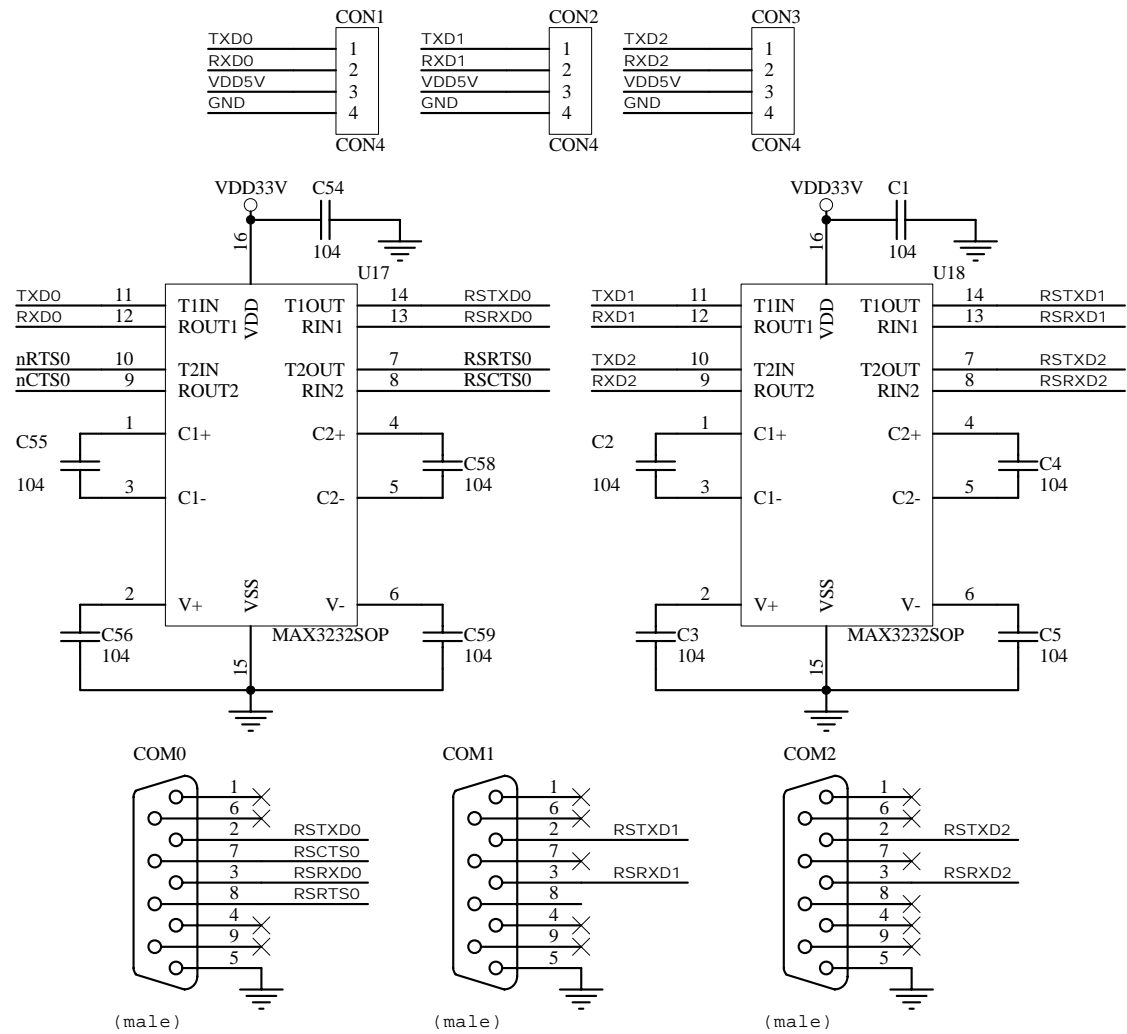


AT070TN83 of INNOLUX

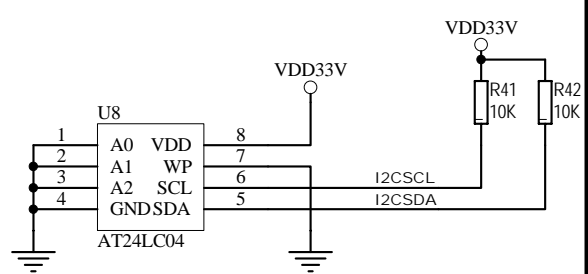
Touch Panel Connector



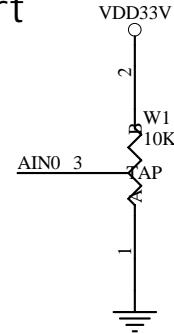
UART0,1,2



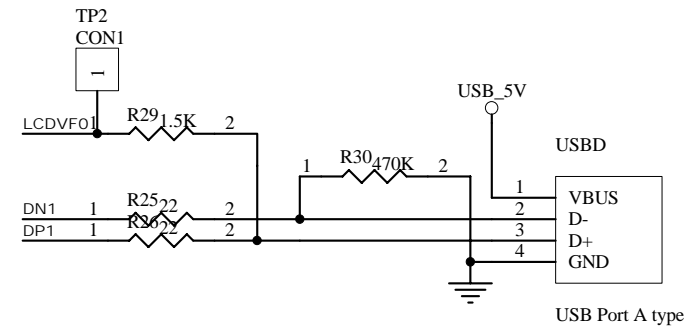
I2C-EEPROM



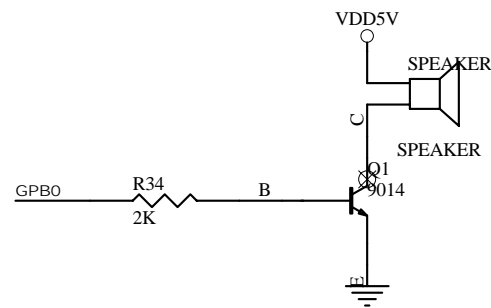
AD Convert



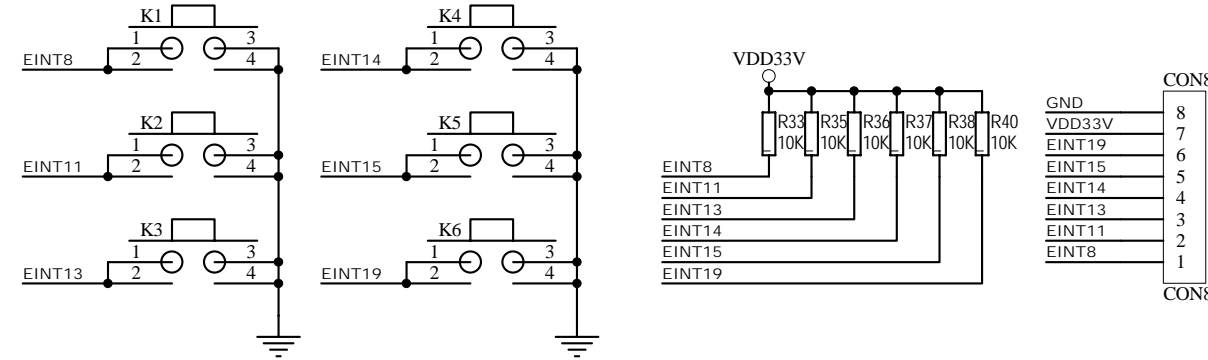
USB Slave



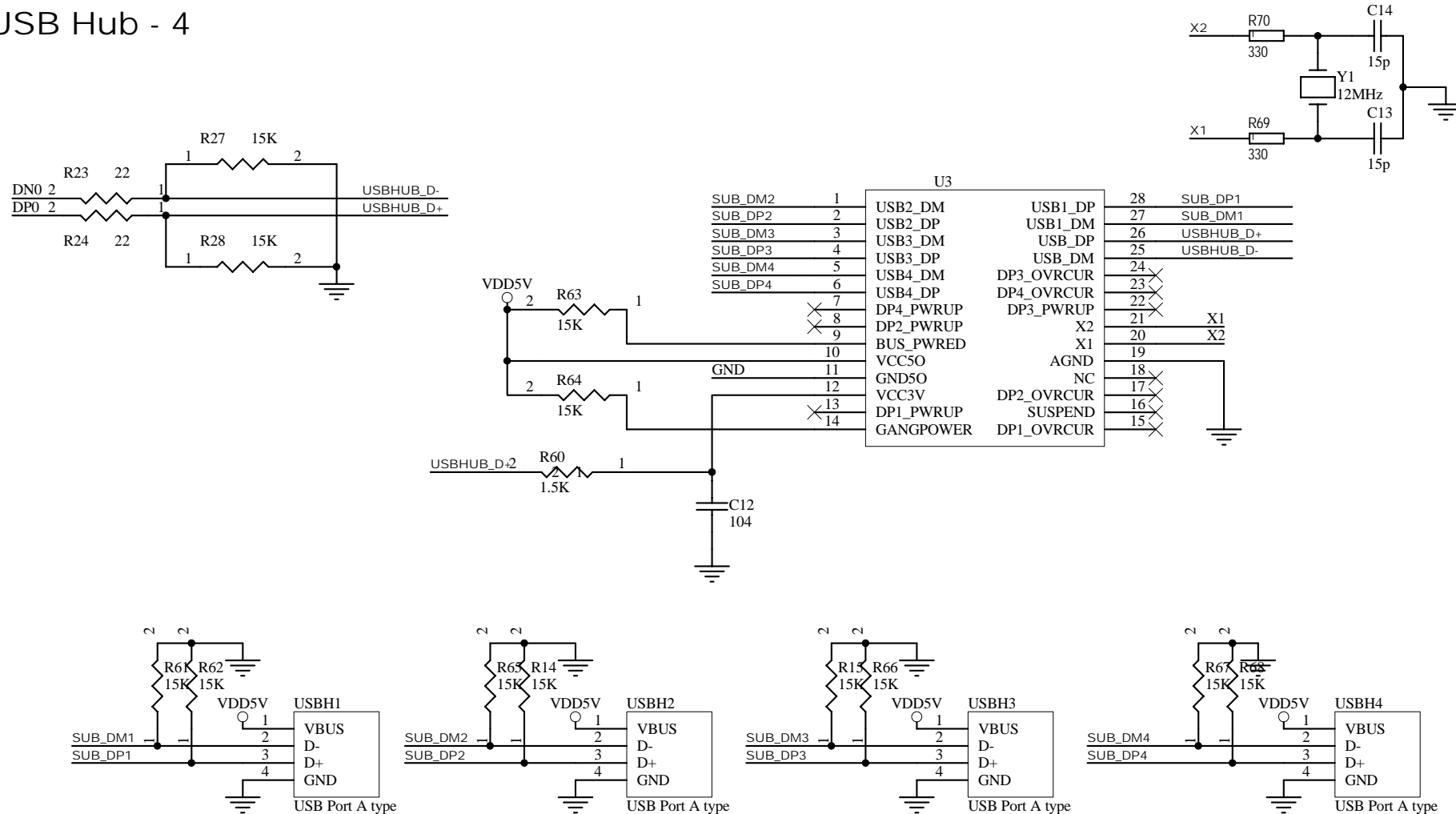
PWM Control Buzzer



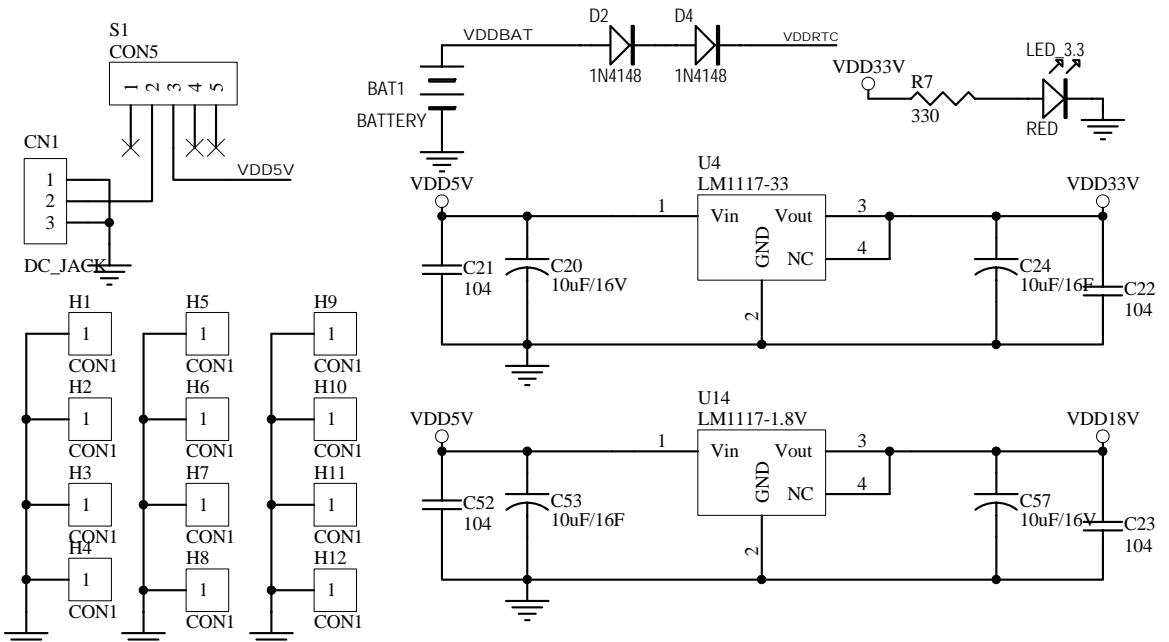
User Buttons

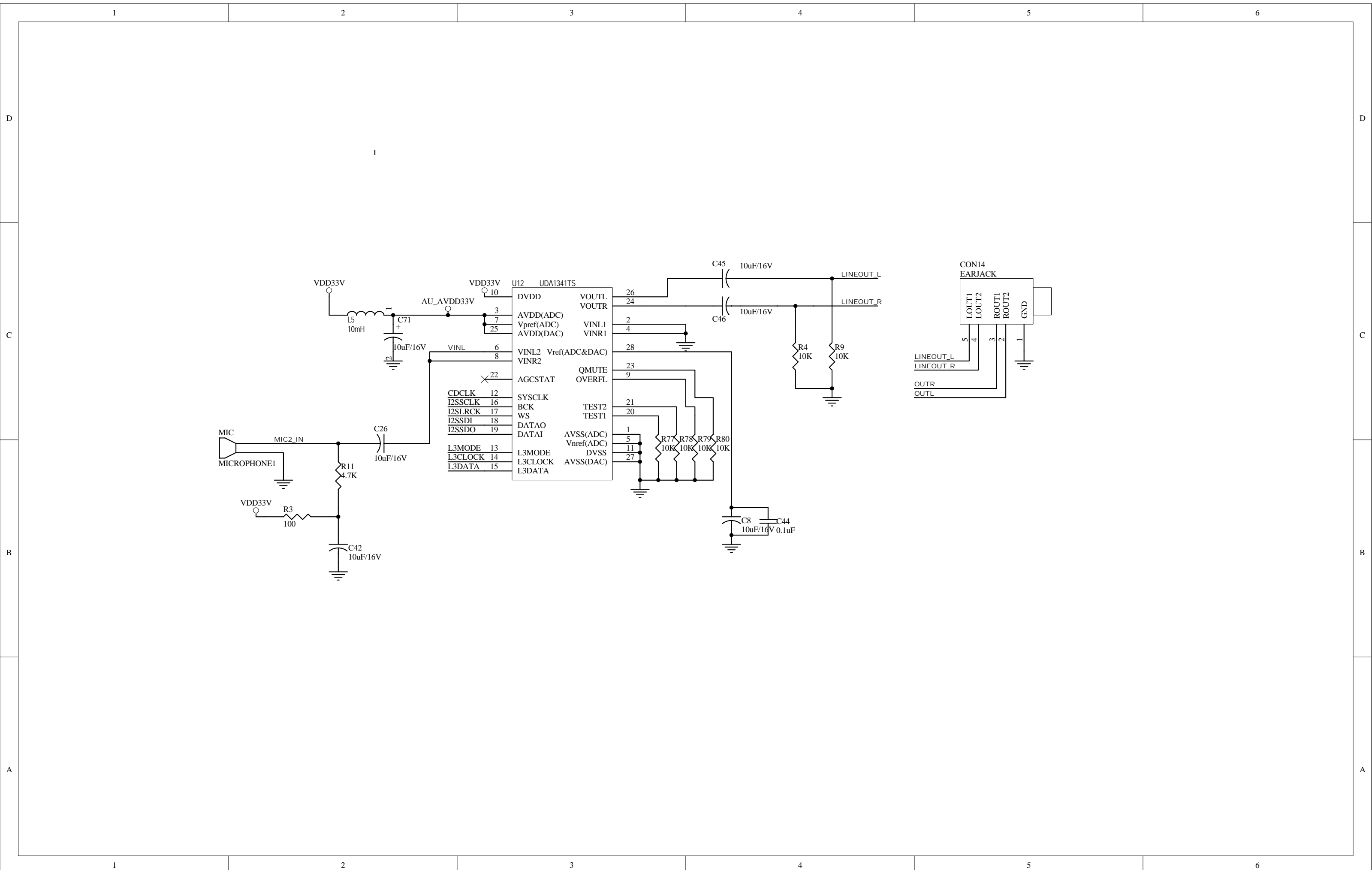


USB Hub - 4



Power Supply





D

D

C

C

B

B

A

A

