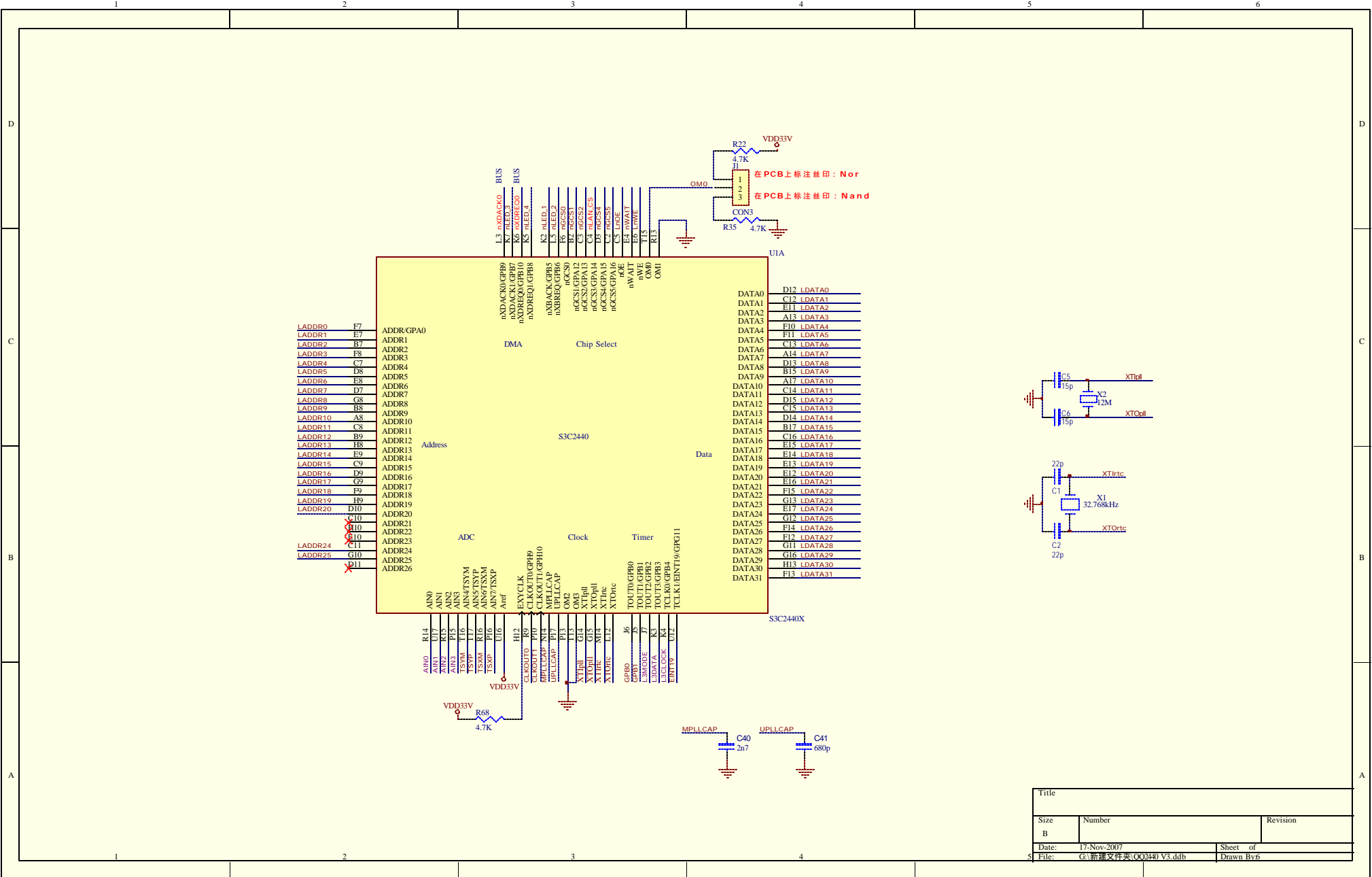
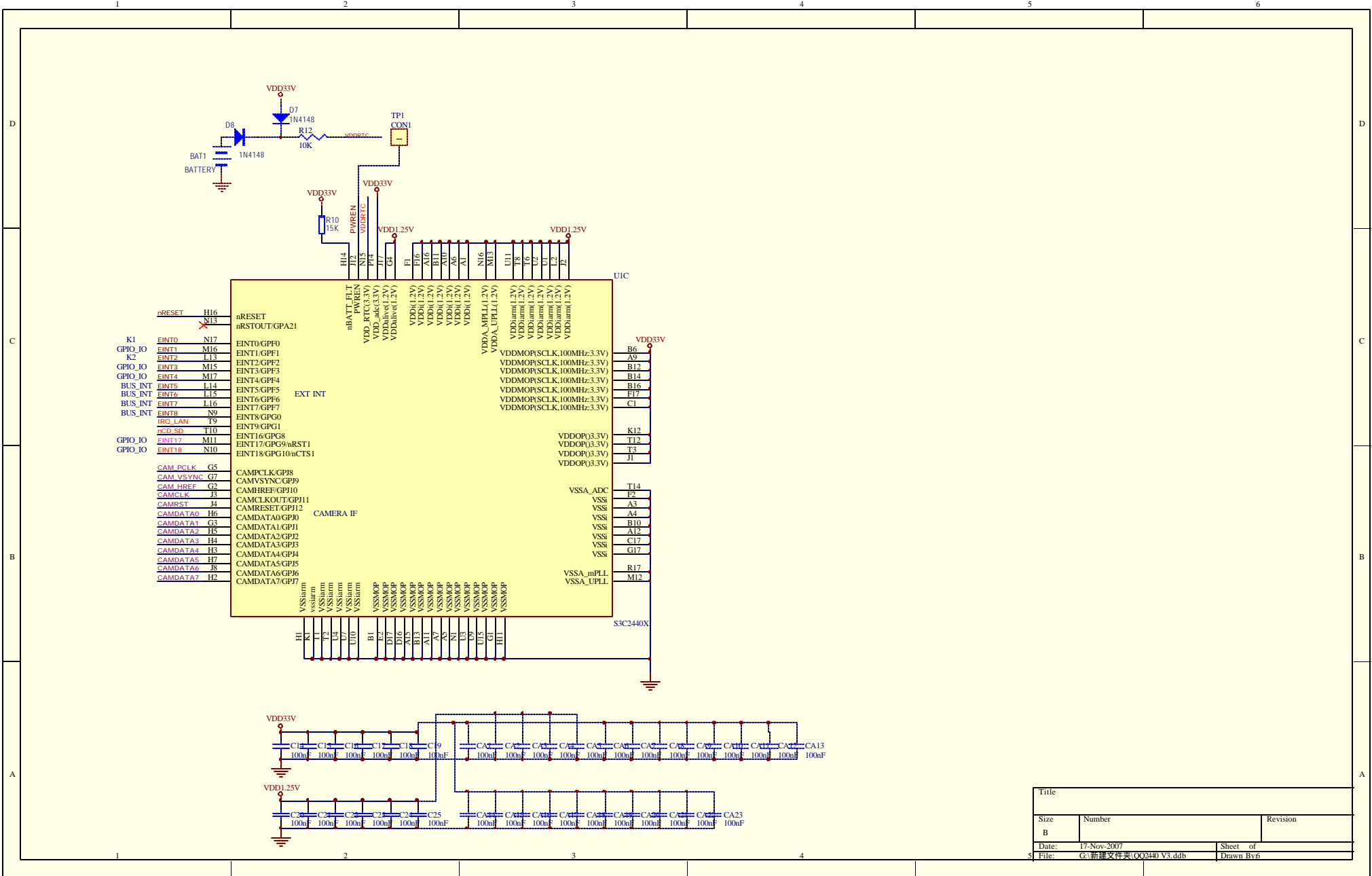


QQ2440V3原理图

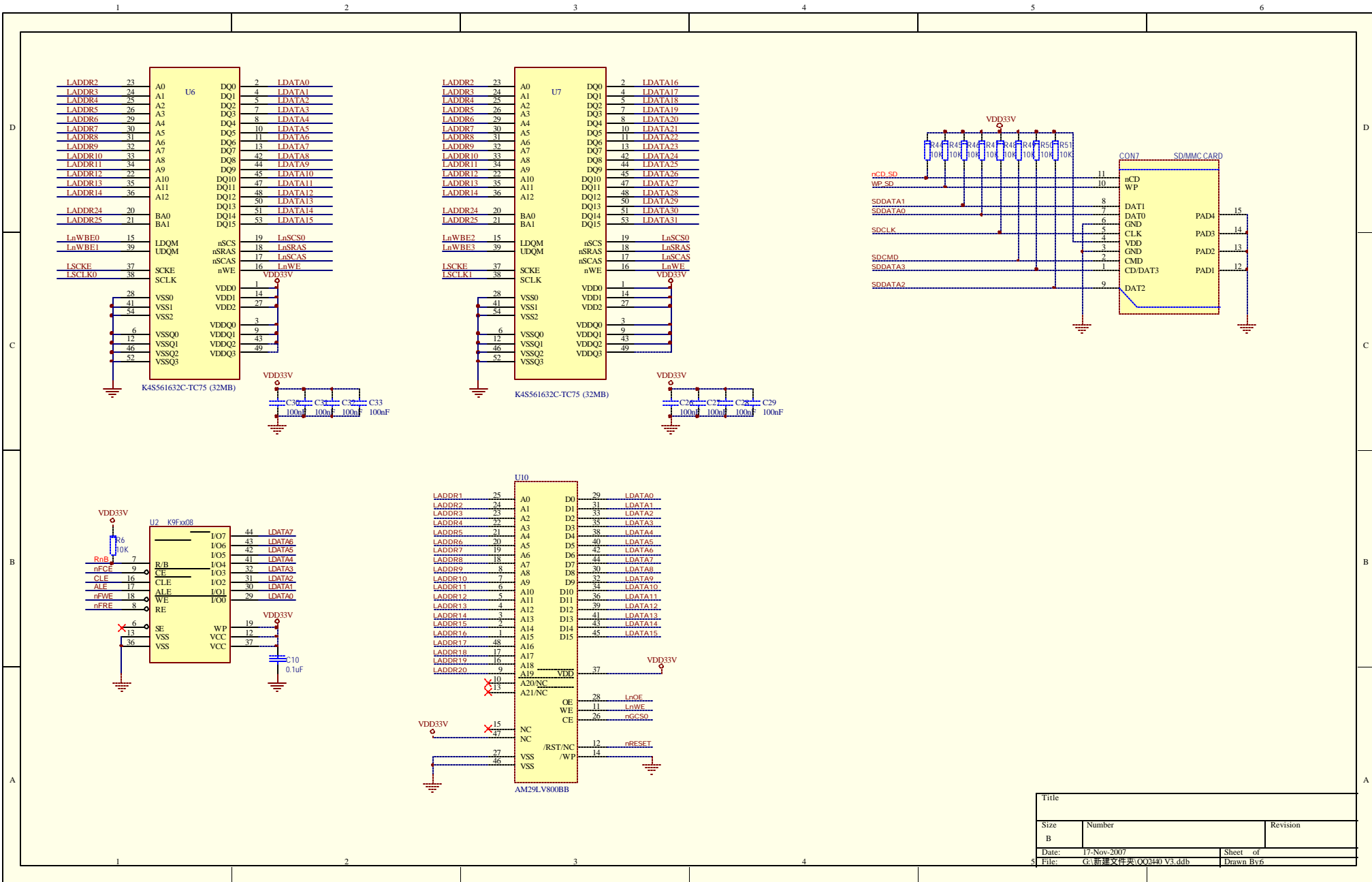
Title		
Size B	Number	Revision
Date:	17-Nov-2007	Sheet of
File:	G:\新建文件夹\QQ2440 V3.ddb	Drawn By:



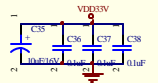
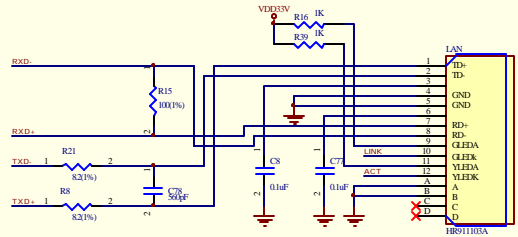
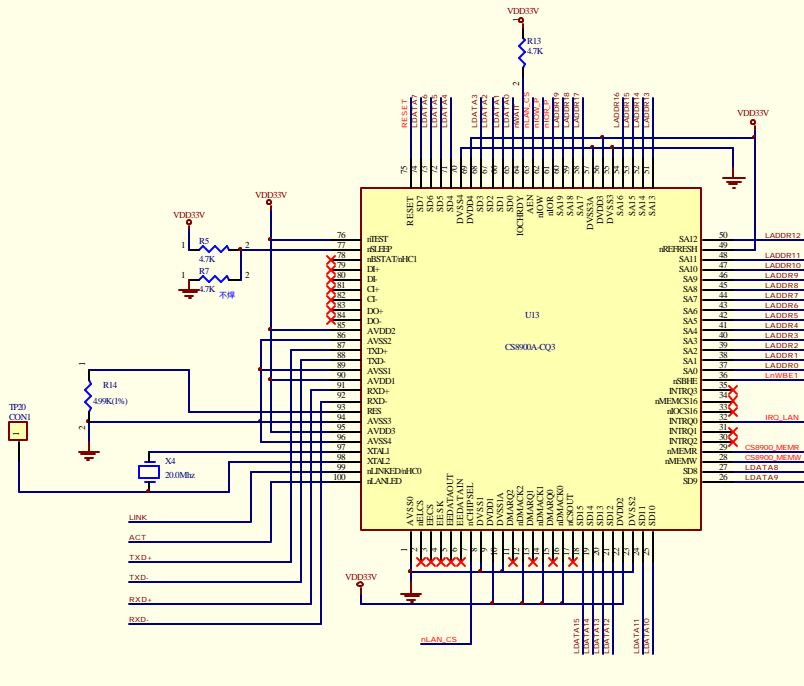
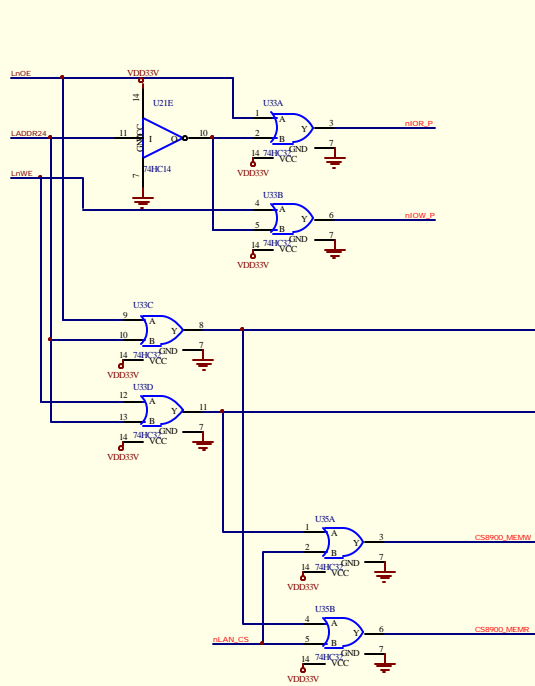
Title		
Size	Number	Revision
B		
Date:	17-Nov-2007	Sheet of
File:	G:\新建文件夹\CO2440 V3.ddb	Drawn: By6



Title		
Size	Number	Revision
B		
Date:	17-Nov-2007	Sheet of
File:	G:\新建文件夹\QQ2440 V3.ddb	Drawn By:6



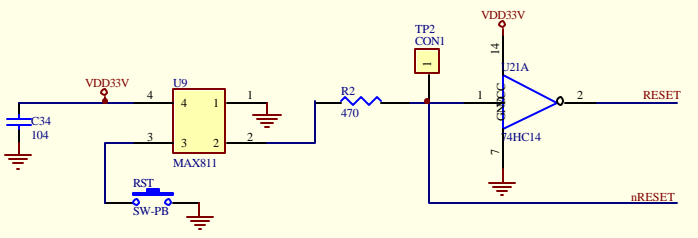
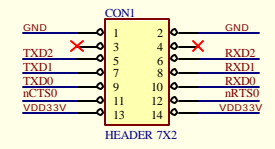
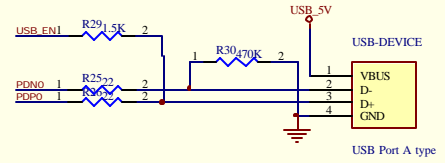
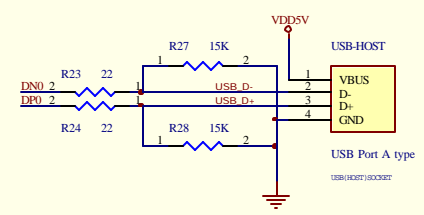
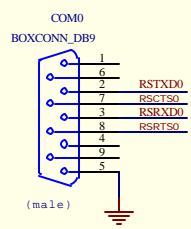
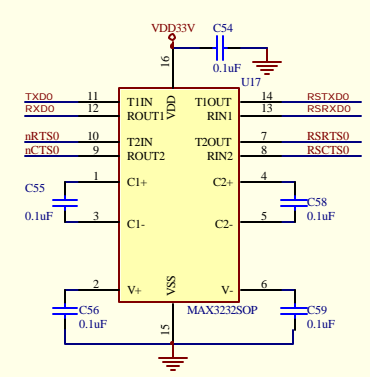
Title		
Size	Number	Revision
B		
Date:	17-Nov-2007	Sheet of
File:	G:\新建文件夹\QQ2440 V3.ddb	Drawn By:6



Title:		
Size	Number	Revision
C		
Date:	17-Nov-2007	Show of
File:	C:\E:\P\B\B4\B410V14b	1/1

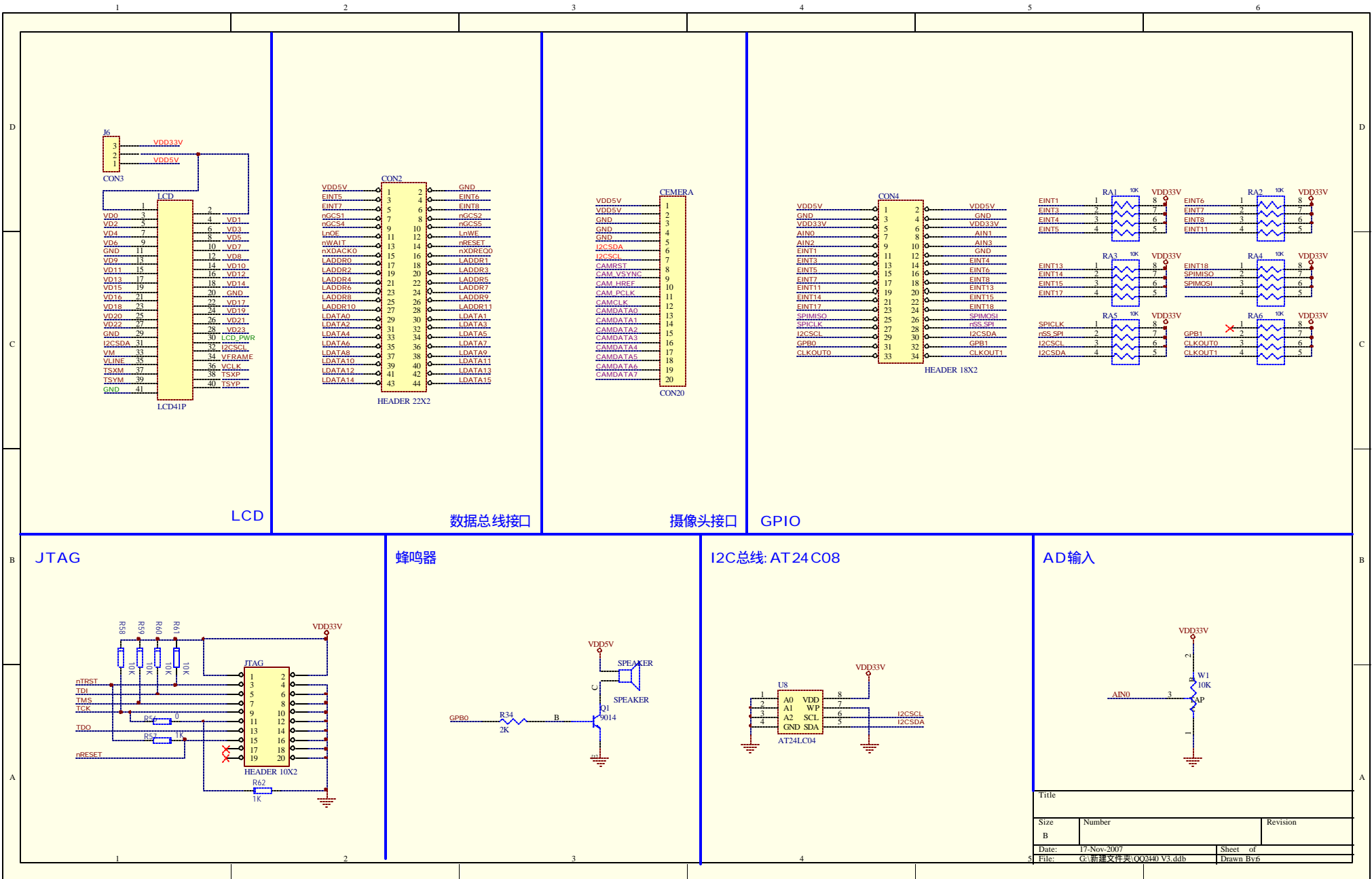
1 2 3 4 5 6

D
C
B
A

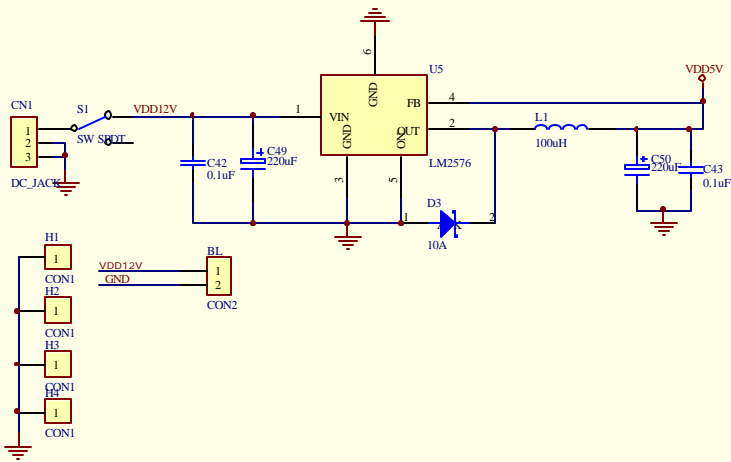
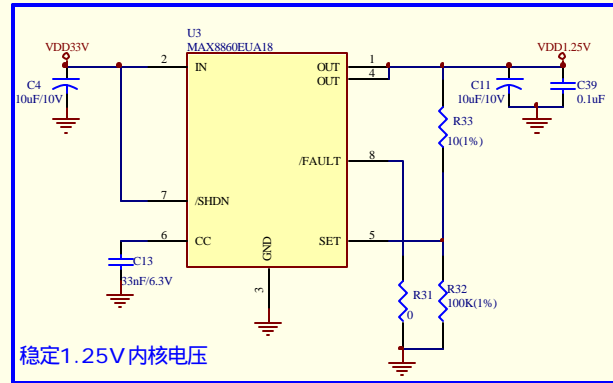
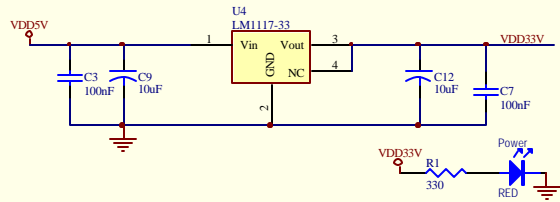


Title		
Size	Number	Revision
B		
Date:	17-Nov-2007	Sheet of
File:	G:\新建文件夹\002440 V3.ddb	Drawn: By6

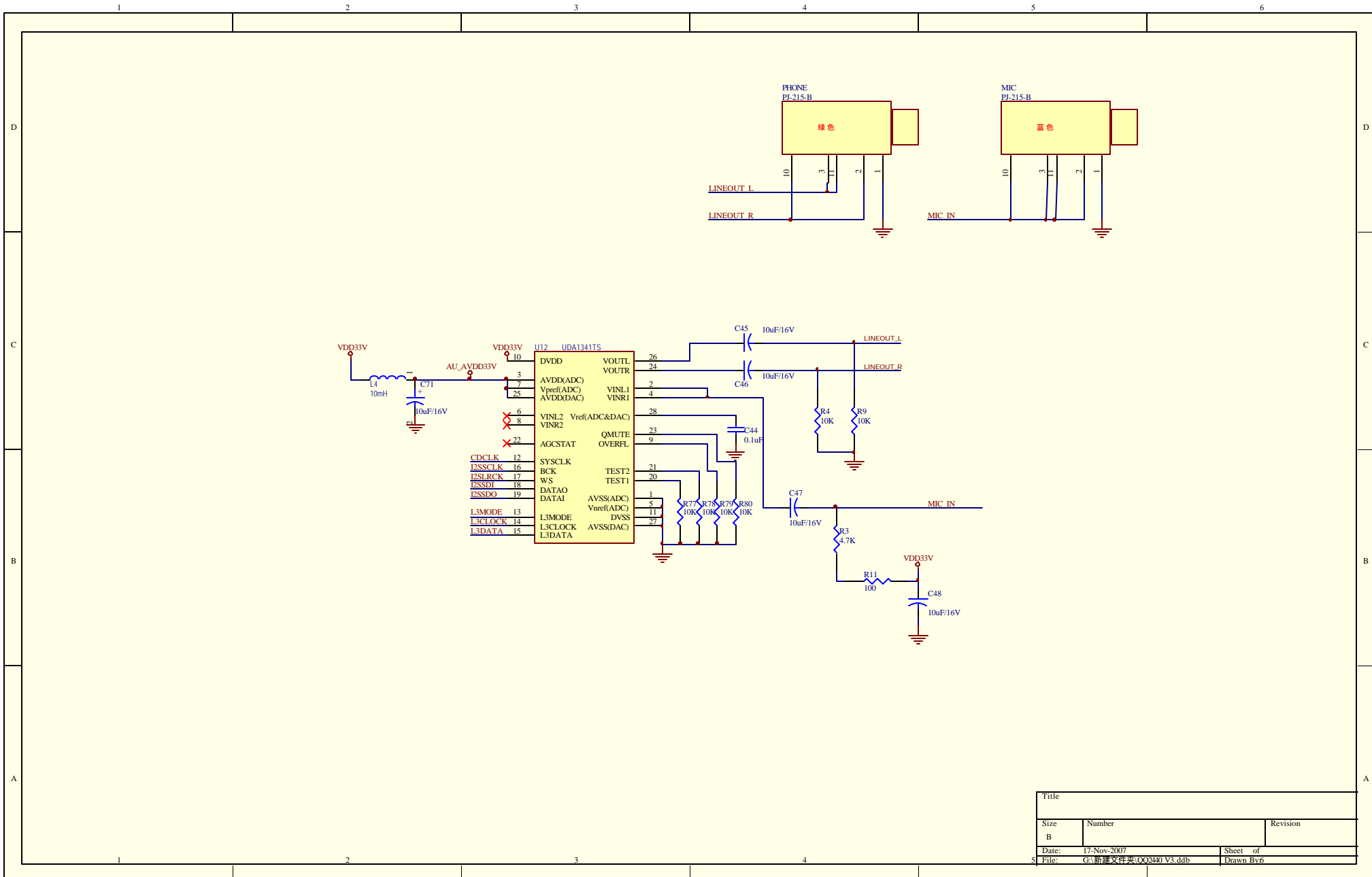
1 2 3 4 5 6



Title		
Size	Number	Revision
B		
Date:	17-Nov-2007	Sheet of
File:	G:\新建文件夹\002440 V3.ddb	Drawn: By6



Title		
Size	Number	Revision
B		
Date:	17-Nov-2007	Sheet of
File:	G:\新建文件夹\002440 V3.ddb	Drawn: By6



Title		
Size	Number	Revision
B		
Date:	17-Nov-2007	Sheet of
File:	G:\新建文件夹\002440 V3.ddb	Drawn: By6