

Block Diagram

iCore2

NOTES:

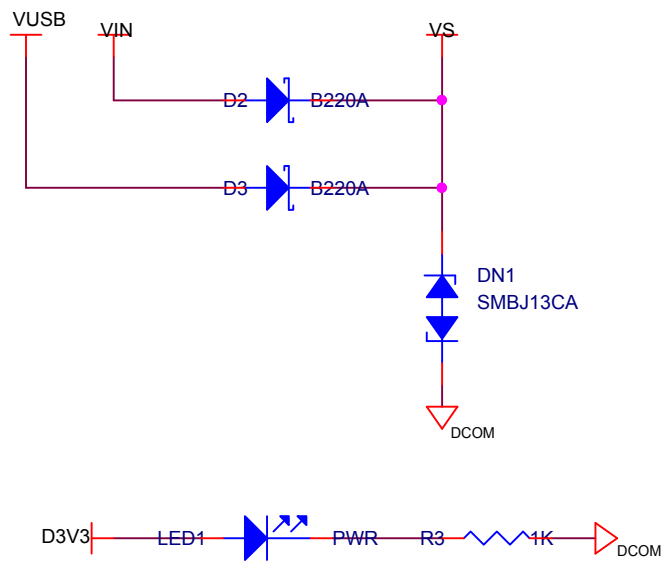
1. Notes here.

REV	DATE	PAGES	DESCRIPTION
0.0.0	09/04/2006	ALL	Created

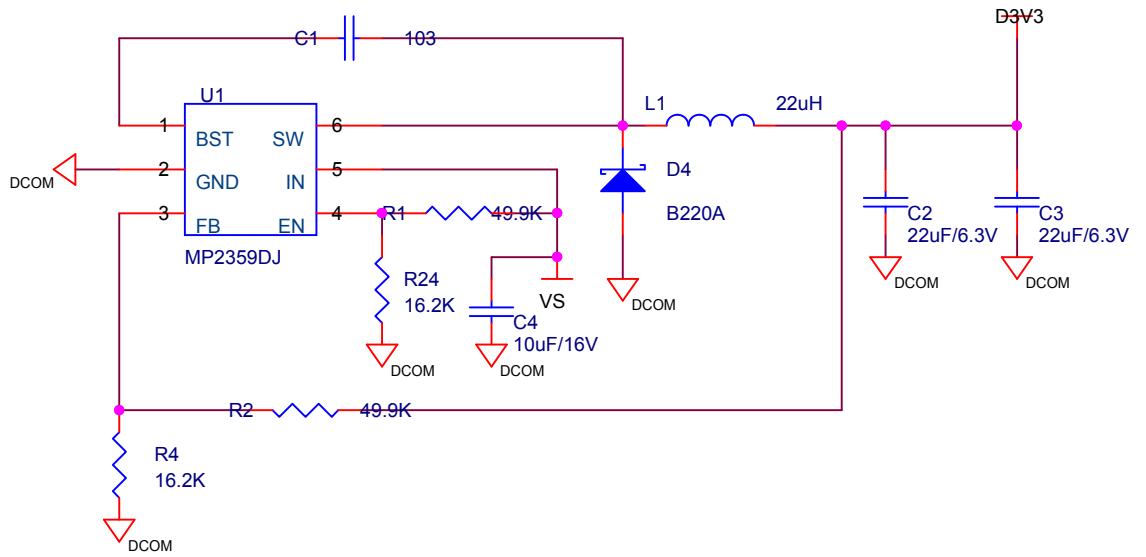
PAGES	DESCRIPTION
0	Title, Note, Block Diagram, Revision
1	History
2
3
4
5
6
7
8
9
A
B
C
D
E
F
10
11
12
13

Engineer: -----

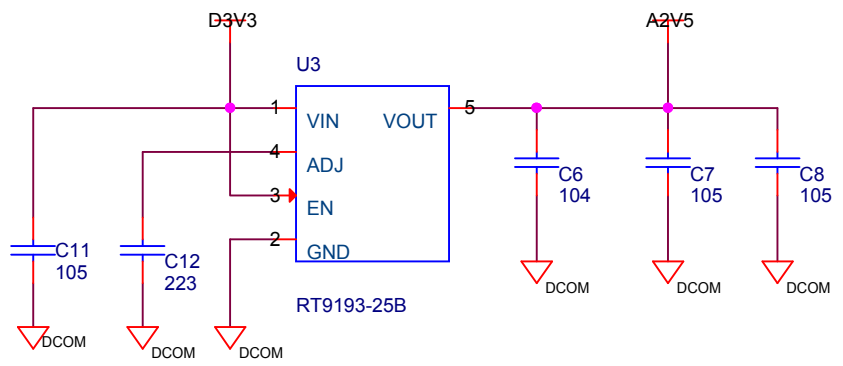
Engineer: -----



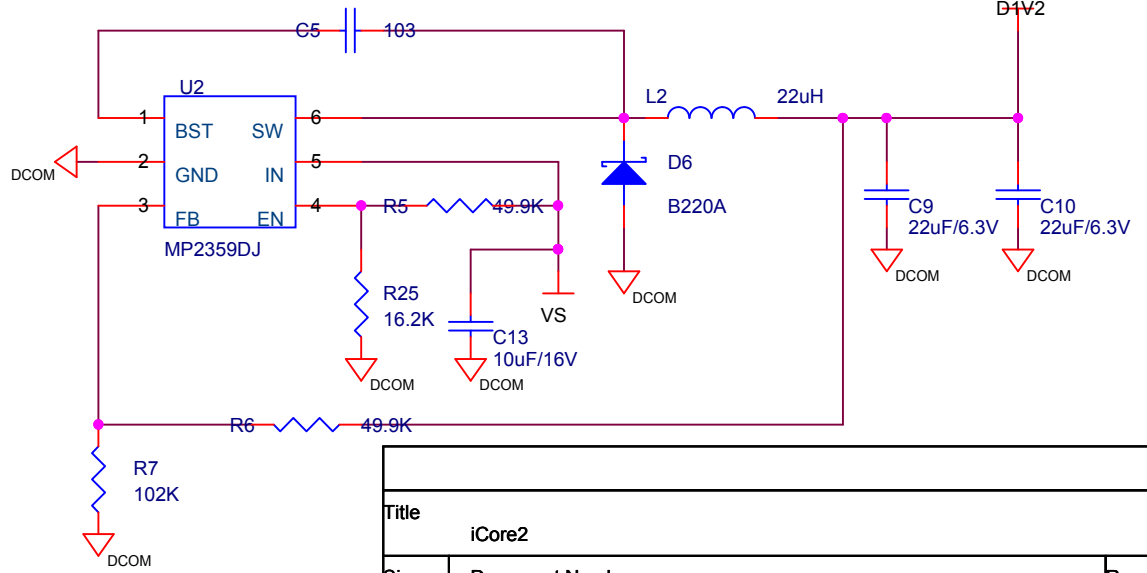
3.3V (BUCK)



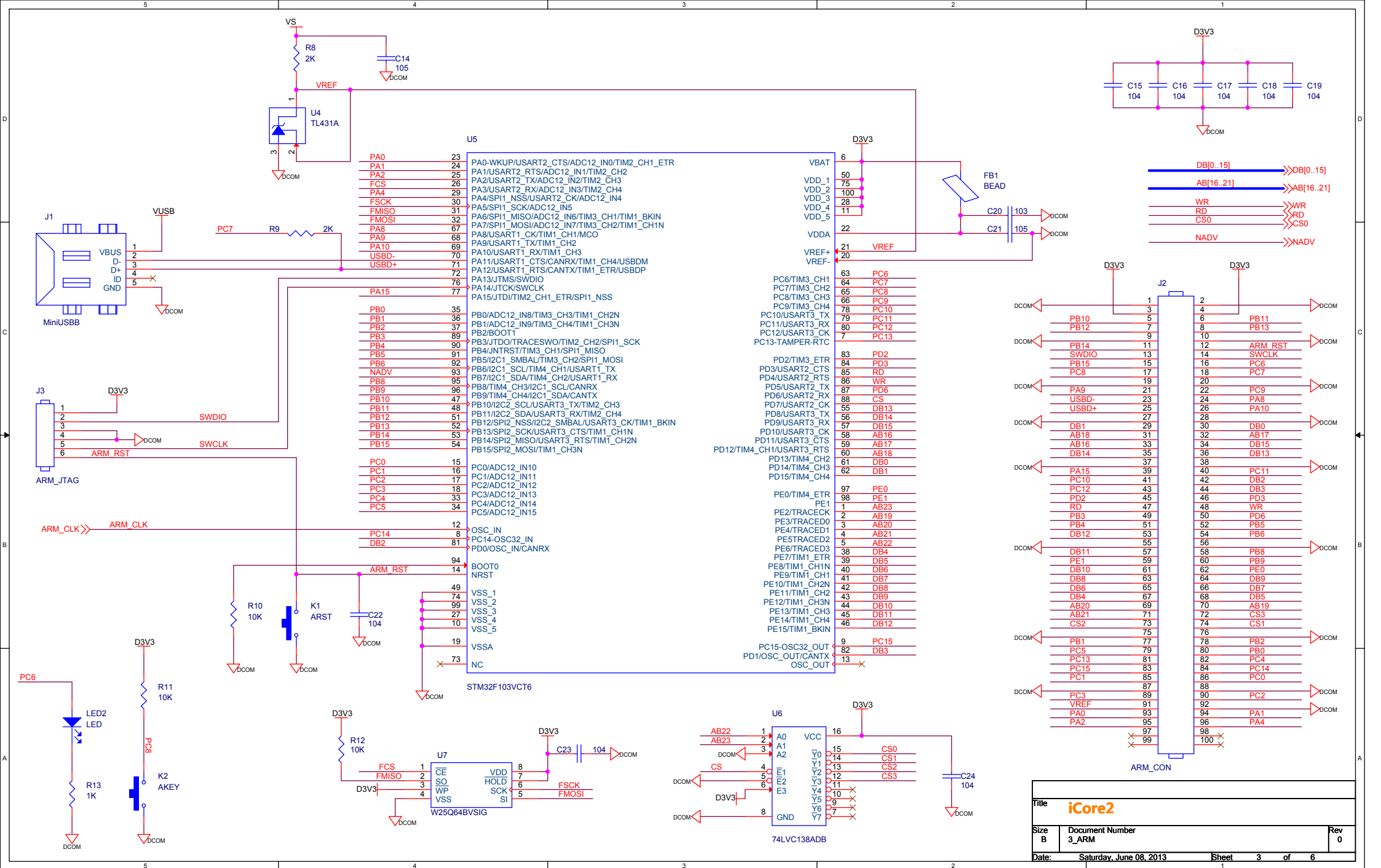
2.5V LDO

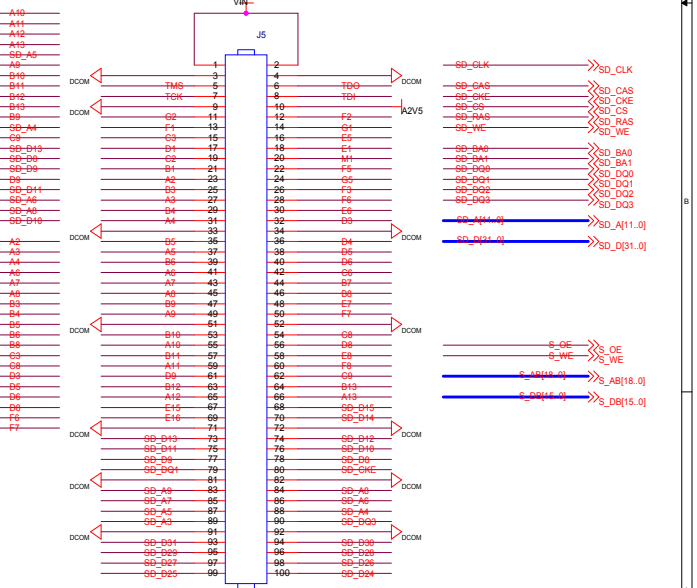
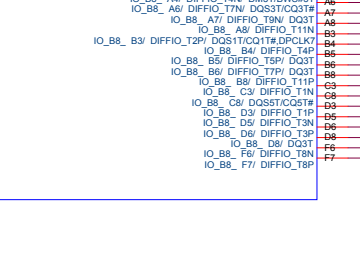
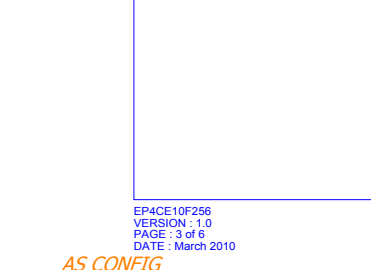
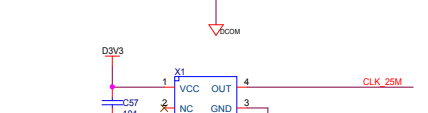
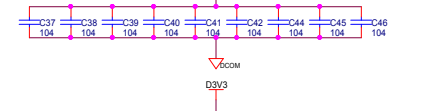
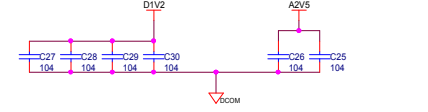
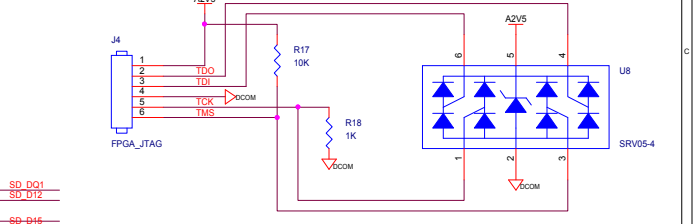
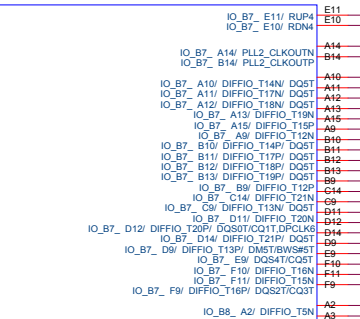
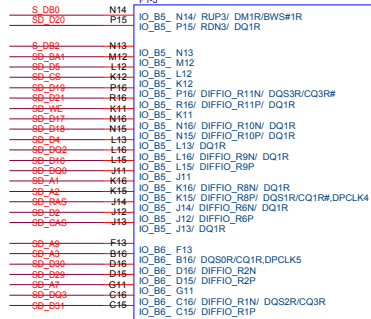
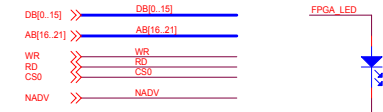
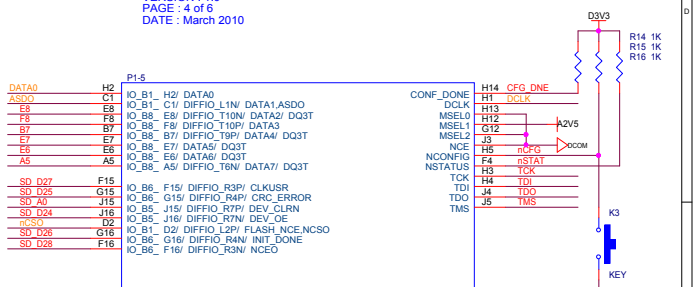
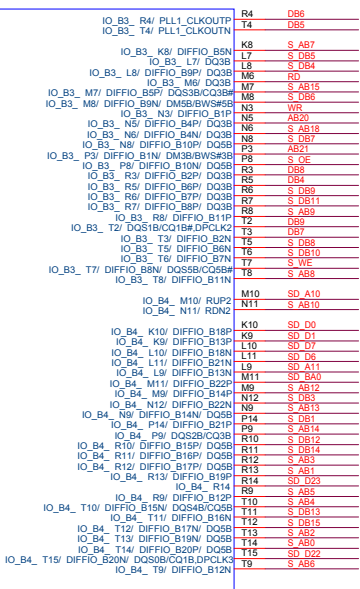
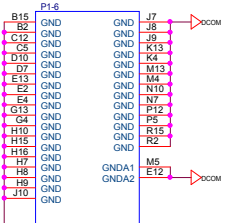
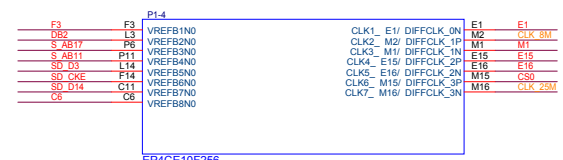
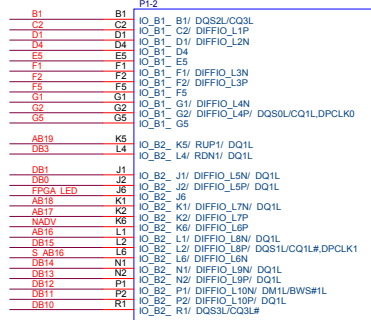
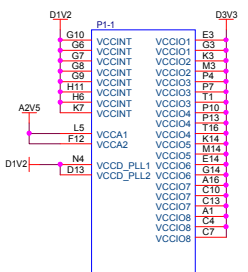


1.2V (BUCK)

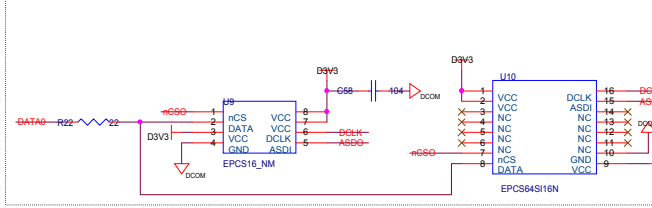


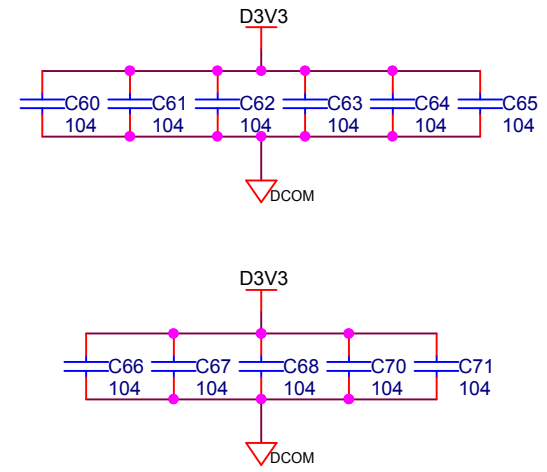
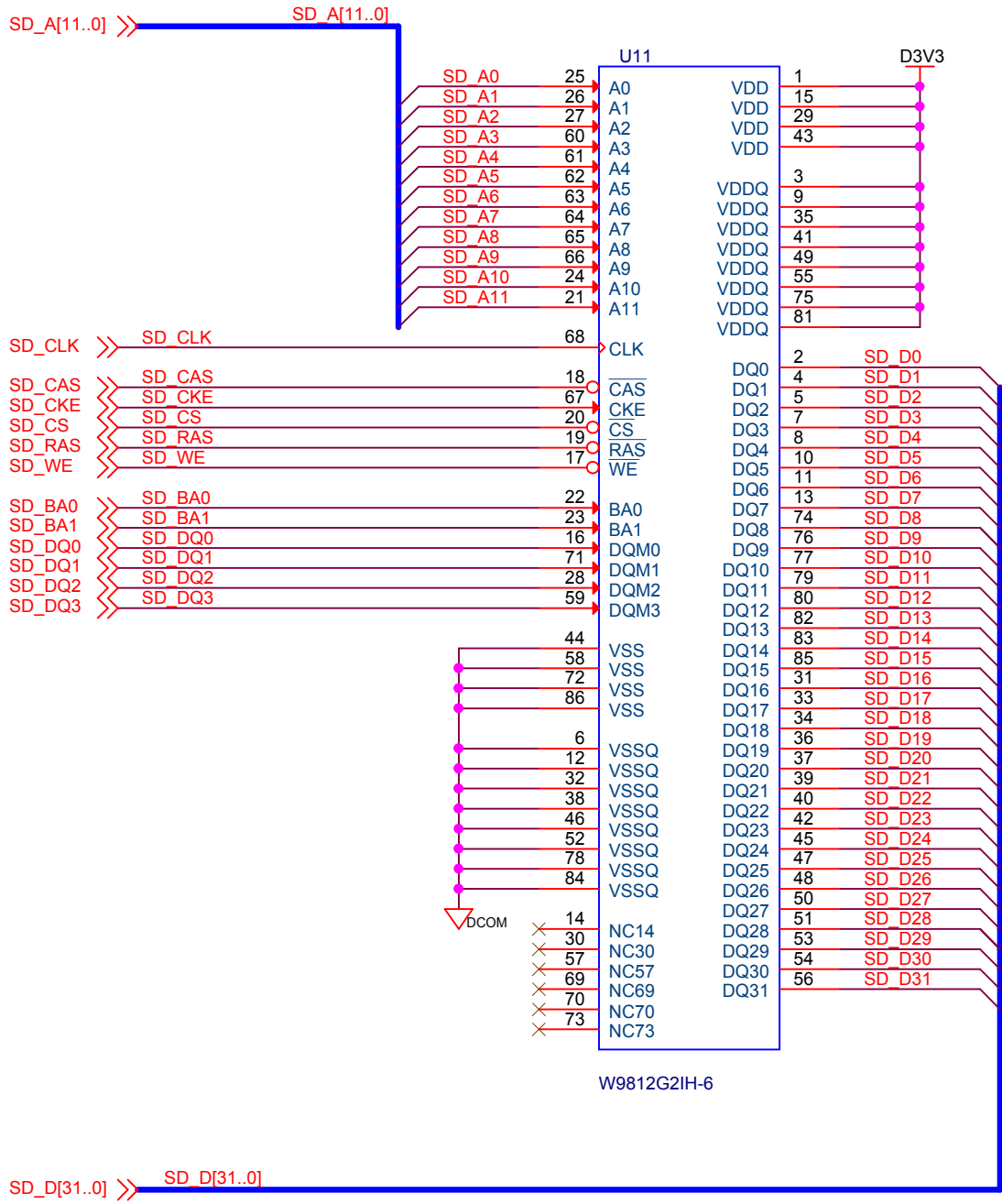
Title		
iCore2		
Size	Document Number	Rev
A	1_Power	0
Date:	Saturday, June 08, 2013	Sheet 2 of 6



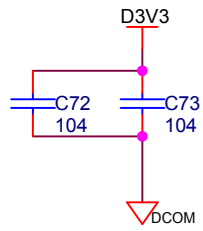
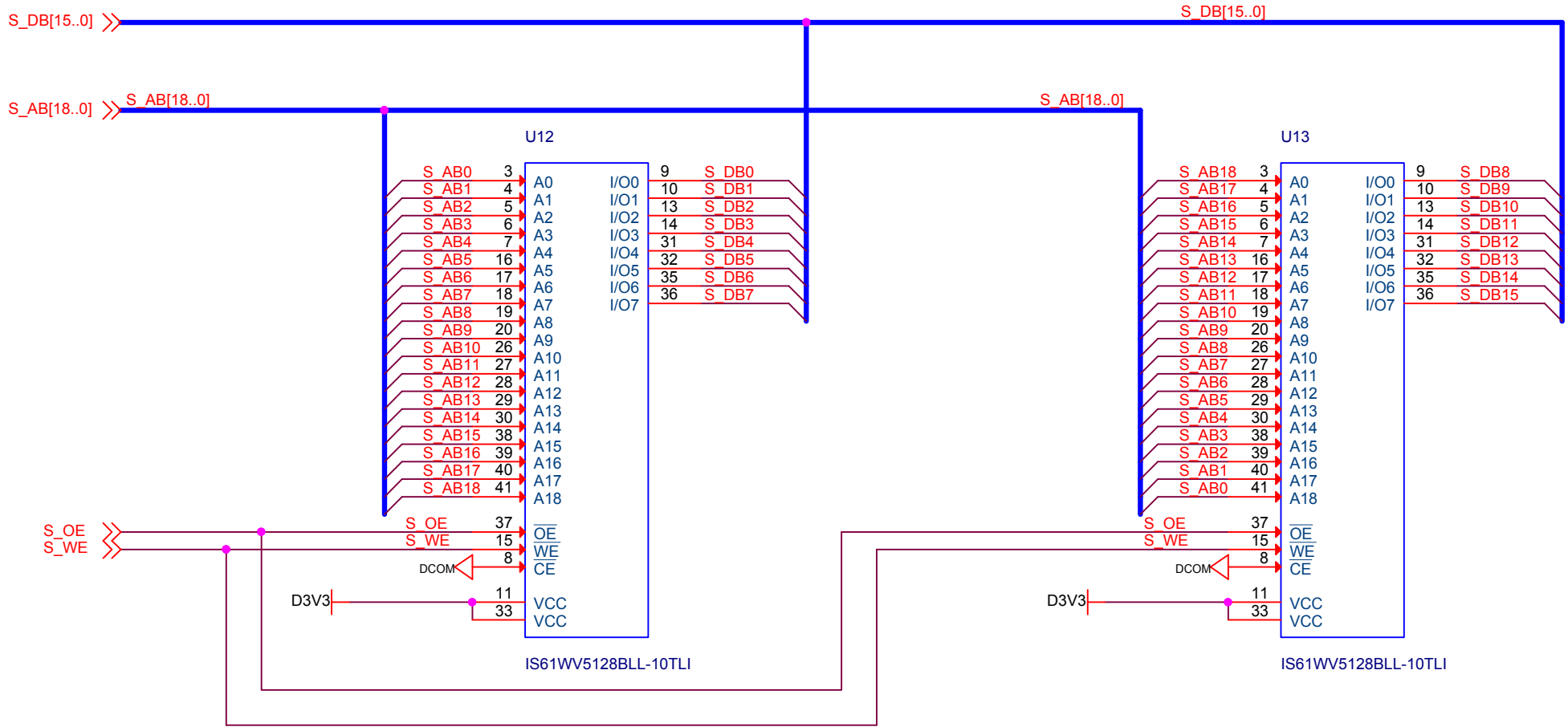


AS CONFIG





Title		
iCore2		
Size	Document Number	Rev
A	4_SDRAM	0
Date:	Saturday, June 08, 2013	Sheet 5 of 6



Title		
iCore2		
Size	Document Number	Rev
A	5_SRAM	0
Date:	Saturday, June 08, 2013	Sheet 6 of 6