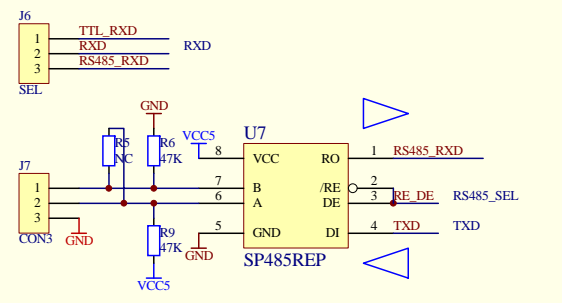
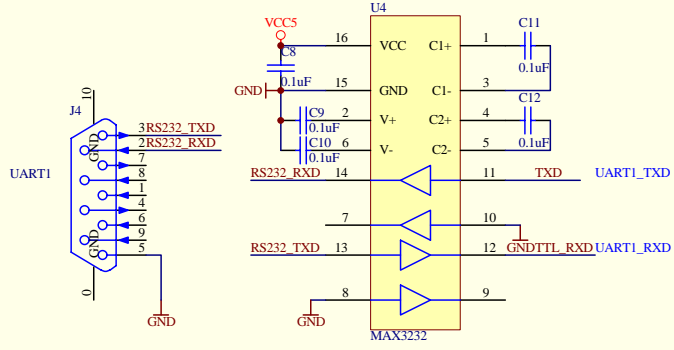
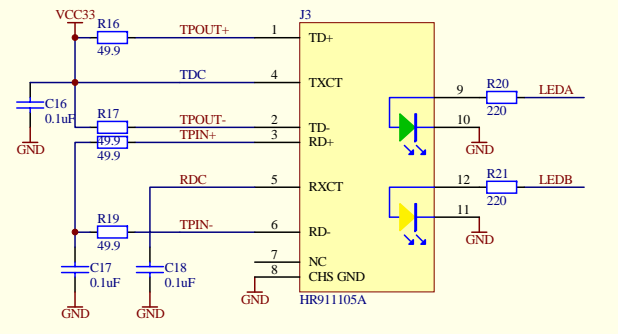
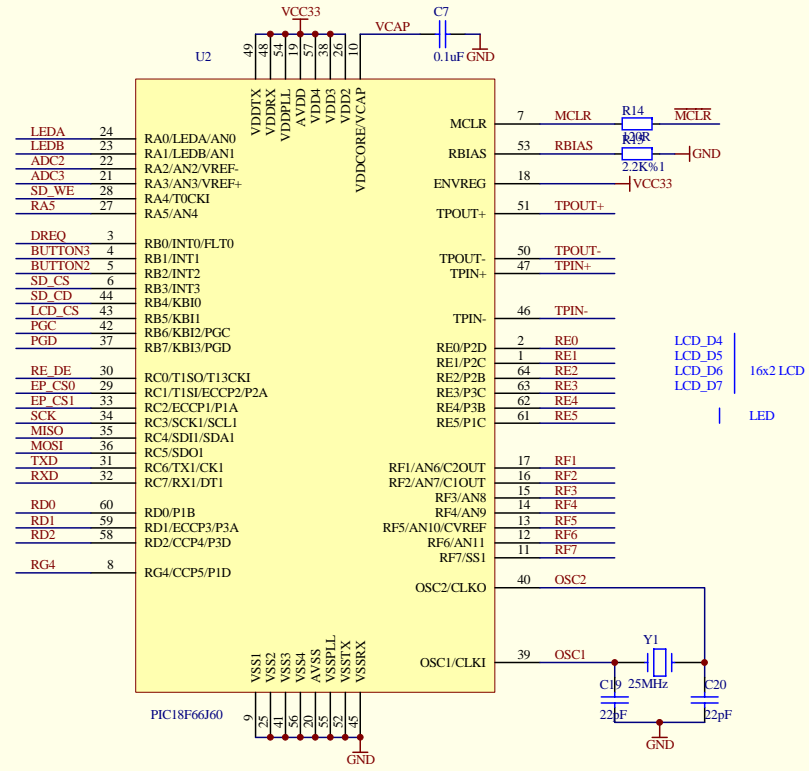
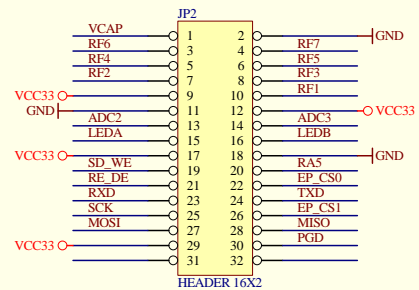
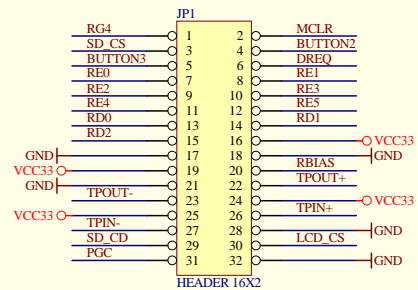
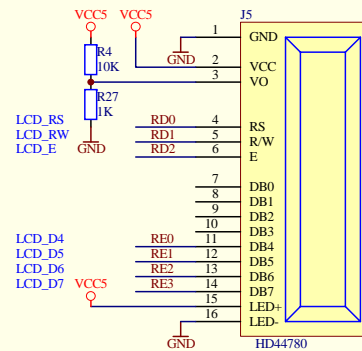
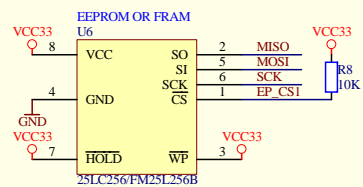
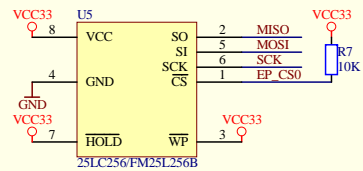


Write Protect
SD Select
Card Detect
SPI
UART
LCD_RS
LCD_RW
LCD_E



Title		
Size	Number	Revision
B		
Date:	31-Jan-2010	Sheet of
File:	E:\MyWork\Microchip\PIC18C66J60\Schma\PIC18F66J60-DK-C.ddb	



Title		
Size	Number	Revision
B		
Date:	31-Jan-2010	Sheet of
File:	E:\MyWork\Microchip\PIC18C66J60\Sch\Drawn\18F66J60-DK-C.ddb	