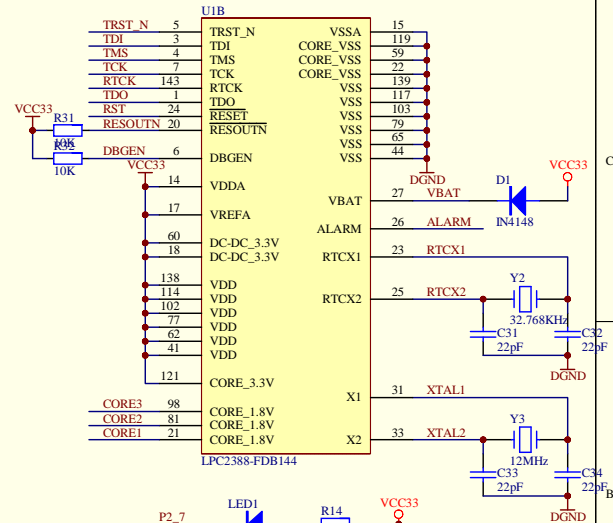
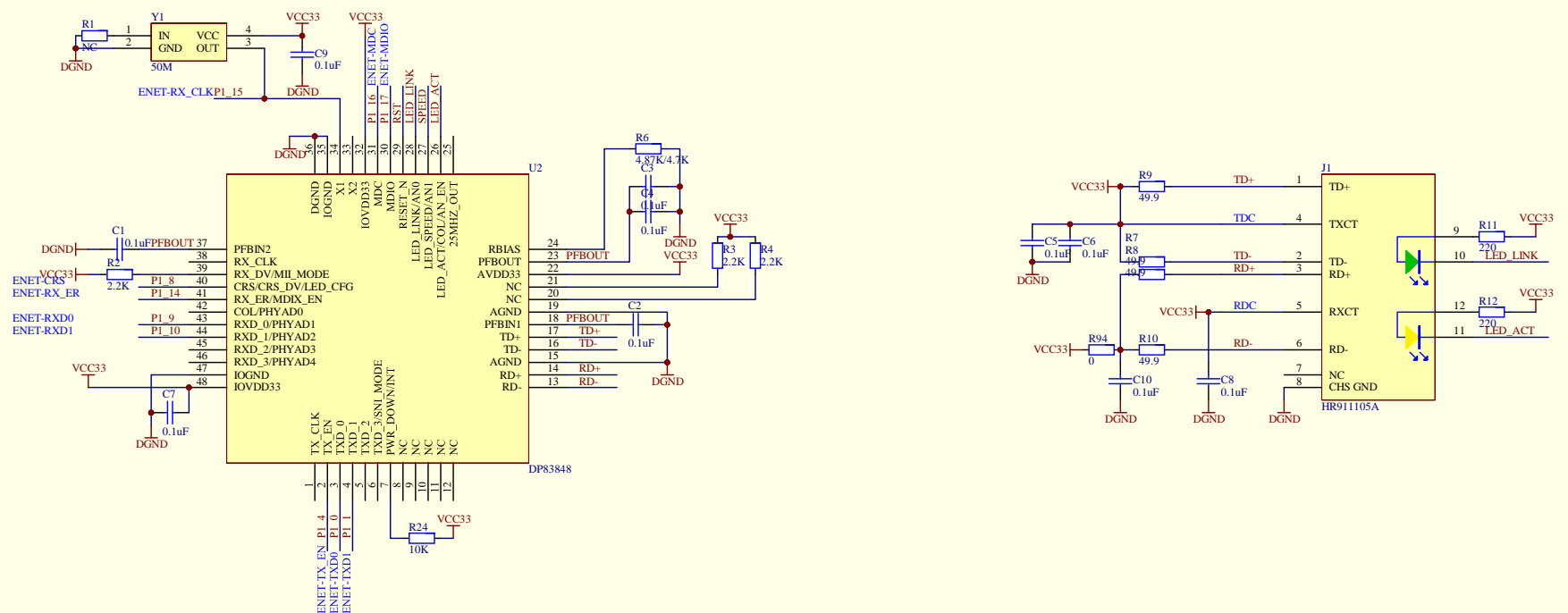


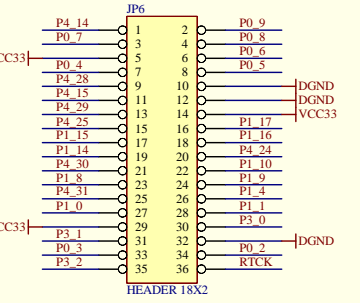
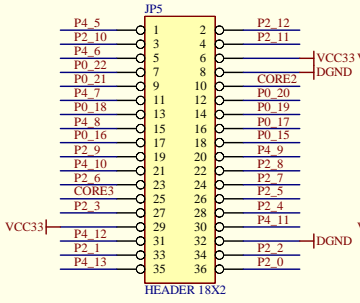
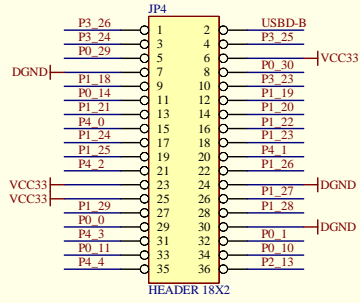
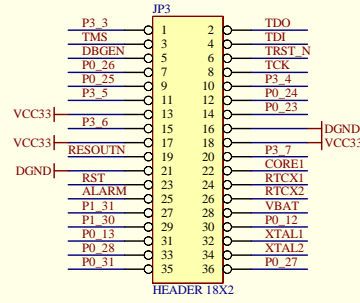
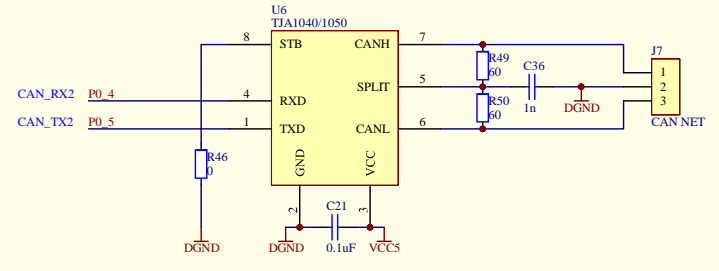
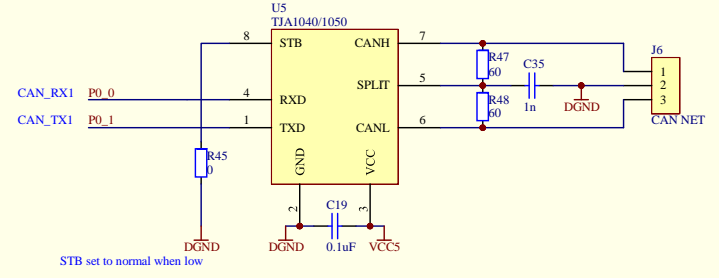
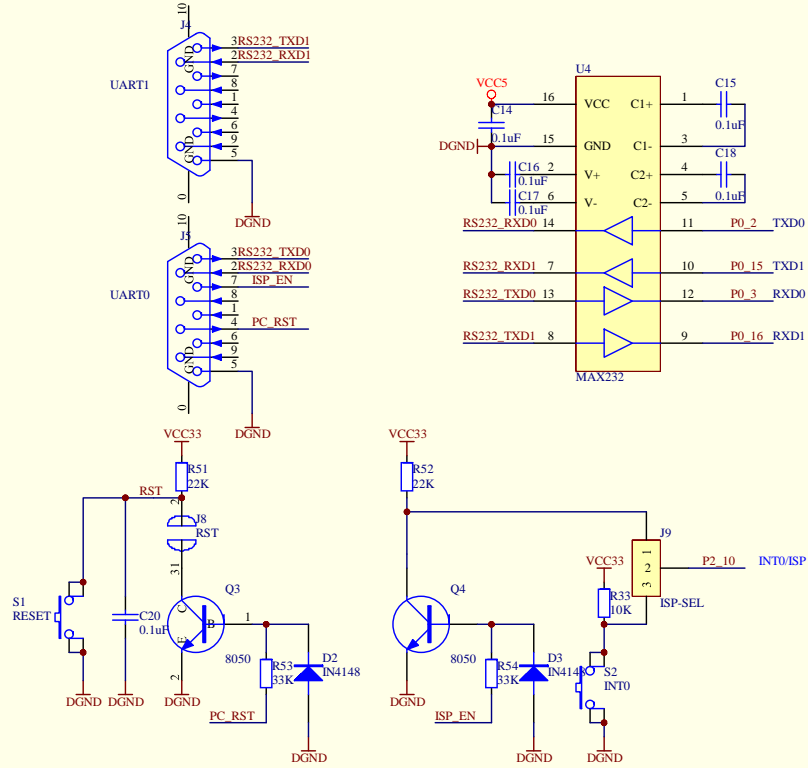
U1A		U1B	
ENET-TXD0	P1_0 136	CAN_RX1/TXD3/SDA1/P0.0	66 P0_0
ENET-TXD1	P1_1 135	CAN_TX1/RXD3/SCL1/P0.1	67 P0_1
ENET-TX_EN	P1_4 133	TXD0/P0.2	141 P0_2
ENET-CRS	P1_8 132	RXD0/P0.3	142 P0_3
ENET-RXD0	P1_9 131	I2SRX_CLK/CAN_RX2/CAP2.0/P0.4	116 P0_4
ENET-RXD1	P1_10 129	I2SRX_WS/CAN_TX2/CAP2.1/P0.5	115 P0_5
ENET-RX_ER	P1_14 128	I2SRX_SDA/SSEL1/MAT2.0/P0.6	113 P0_6
ENET-RX_CLK	P1_15 126	I2STX_CLK/SCK1/MAT2.1/P0.7	112 P0_7
ENET-MDC	P1_16 125	111 P0_8	WS
ENET-MDIO	P1_17 123	I2STX_SDA/MOSI1/MAT2.2/P0.8	109 P0_9
SYSCLK	P1_18 46	TXD2/SDA2/MAT3.0/P0.10	69 P0_10
OMUTE	P1_19 47	RXD2/SCL2/MAT3.1/P0.11	70 P0_11
AGCSTAT	P1_20 49	PORT_PWR-BN/MISO1/AD0.6/P0.12	29 P0_12
BCK	P1_21 50	LED_BN/MOSI1/AD0.7/P0.13	32 P0_13
OVERFL	P1_22 51	LED_BN/MOSI1/AD0.7/P0.13	48 P0_14
LCD_D4	P1_23 53	P1_23/RV-A/PWRD-AN/MAT1.0/HOST_EN-BN/DEVICE_EN-BN/SSEL1/P0.14	89 P0_15
LCD_D5	P1_24 54	TXD1/SCK0/SCK/P0.15	90 P0_16
LCD_D6	P1_25 56	RXD1/SSEL0/SSEL/P0.16	87 P0_17
LCD_D7	P1_26 57	CTS1/MISO0/MISO/P0.17	86 P0_18
LCD_RS	P1_27 61	DCD1/MOSI0/MOSI1/P0.18	85 P0_19
LCD_RW	P1_28 63	DSR1/MCICLK/SDA1/P0.19	83 P0_20
VBUS	P1_29 64	DTR1/MCICMD/SCL1/P0.20	82 P0_21
LCD_E	P1_30 30	R11/MCIPWR/CAN_RX1/P0.21	80 P0_22
LED8	P2_0 107	RTS1/MCIDAT0/CAN_TX1/P0.22	13 P0_23
LED6	P2_1 106	AD0.1/I2SRX_WS/CAP3.1/P0.24	11 P0_24
LED5	P2_2 105	AD0.2/I2SRX_SDA/TXD3/P0.25	10 P0_25
LED4	P2_3 100	AD0.3/AOUT/RXD3/P0.26	8 P0_26
LED3	P2_4 99	SDA0/P0.27	35 P0_27
LED2	P2_5 97	SCL0/P0.28	34 P0_28
LED1	P2_6 96	SCL0/P0.28	42 P0_29
SoftConnect	P2_7 95	USBDA/A/P0.29	43 P0_30
INT0/ISP	P2_8 93	USBDA/A/P0.30	36 P0_31
SD_DATA1	P2_9 92	USBDA/B/P0.31	37 USBD-B
SD_DATA2	P2_10 76	52 P4_0	
SD_DATA3	P2_11 75	A0/P4.0	55 P4_1
TFT_DB8	P3_0/D0 137	A1/P4.1	58 P4_2
TFT_DB9	P3_1/D1 140	A2/P4.2	68 P4_3
TFT_DB10	P3_2/D2 144	A3/P4.3	72 P4_4
TFT_DB11	P3_3/D3 2	A4/P4.4	74 P4_5
TFT_DB12	P3_4/D4 9	A5/P4.5	74 P4_5
TFT_DB13	P3_5/D5 12	A6/P4.6	78 P4_6
TFT_DB14	P3_6/D6 16	A7/P4.7	84 P4_7
TFT_DB15	P3_7/D7 19	88 P4_8	
BCK	P3_23/D23 45	A9/P4.9	94 P4_10
TFT_RSTn	P3_24/D24 40	A10/P4.10	101 P4_11
WS	P3_25/D25 39	A11/P4.11	101 P4_11
	P3_26/D26 38	A12/P4.12	104 P4_12
		A13/P4.13	108 P4_13
		A14/P4.14	110 P4_14
		A15/P4.15	120 P4_15
		127 P4_24	TFT_RD
		124 P4_25	TFT_WR
		118 P4_28	TFT_BL
		122 P4_29	TFT_RS
		130 P4_30	TFT_CS
		134 P4_31	



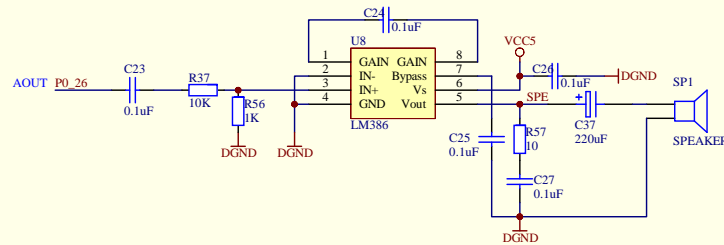
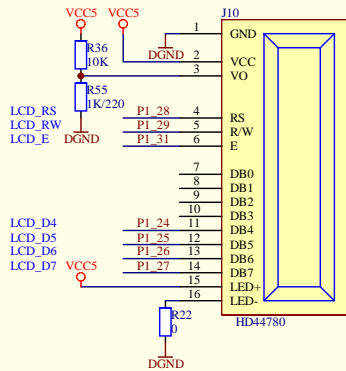
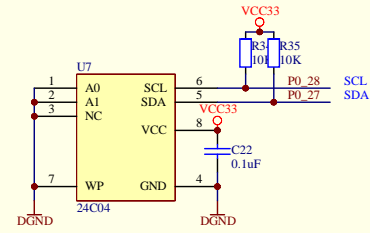
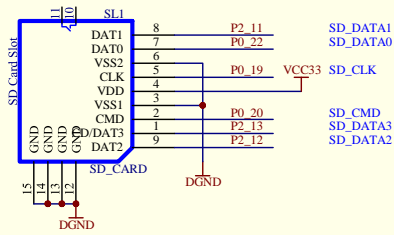
Title		
Size	Number	Revision
Date:	16-Dec-2010	Sheet of
File:	F:\Mywork\ARM\LPC2388\Schematic\LPC2388-FDB144	



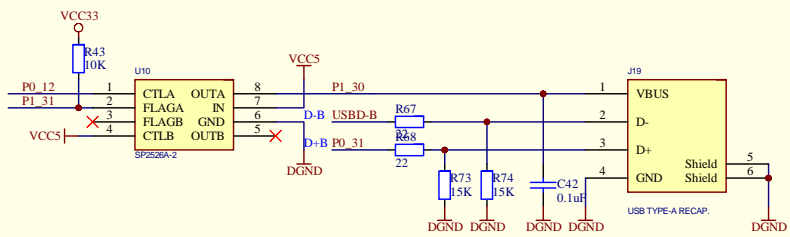
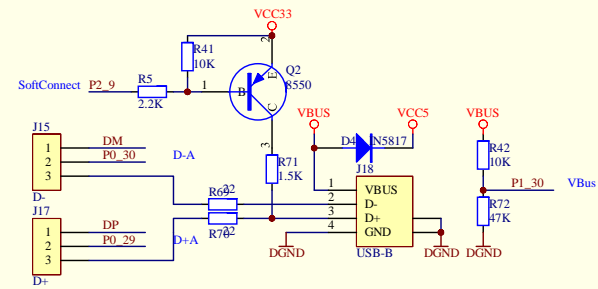
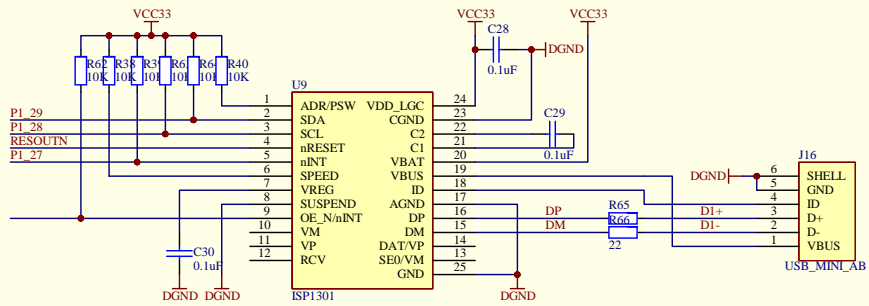
Title		
Size	Number	Revision
Date:	16-Dec-2010	Sheet of
File:	F:\Mywork\ARM\LP23x8\Schematic\LP2388\Bj	



Title		
Size	Number	Revision
Date:	16-Dec-2010	Sheet of
File:	F:\Mywork\ARM\LPC23x8\Schematic\LP2388uB.b	6



Title		
Size	Number	Revision
Date:	16-Dec-2010	Sheet of
File:	F:\Mywork\ARM\LPC23x8\Schematic\LCD388uBBy	



Title		
Size	Number	Revision
B		
Date:	16-Dec-2010	Sheet of
File:	F:\Mywork\ARM\PC23x8\Schematic\LR\CD388\rd\Bj	