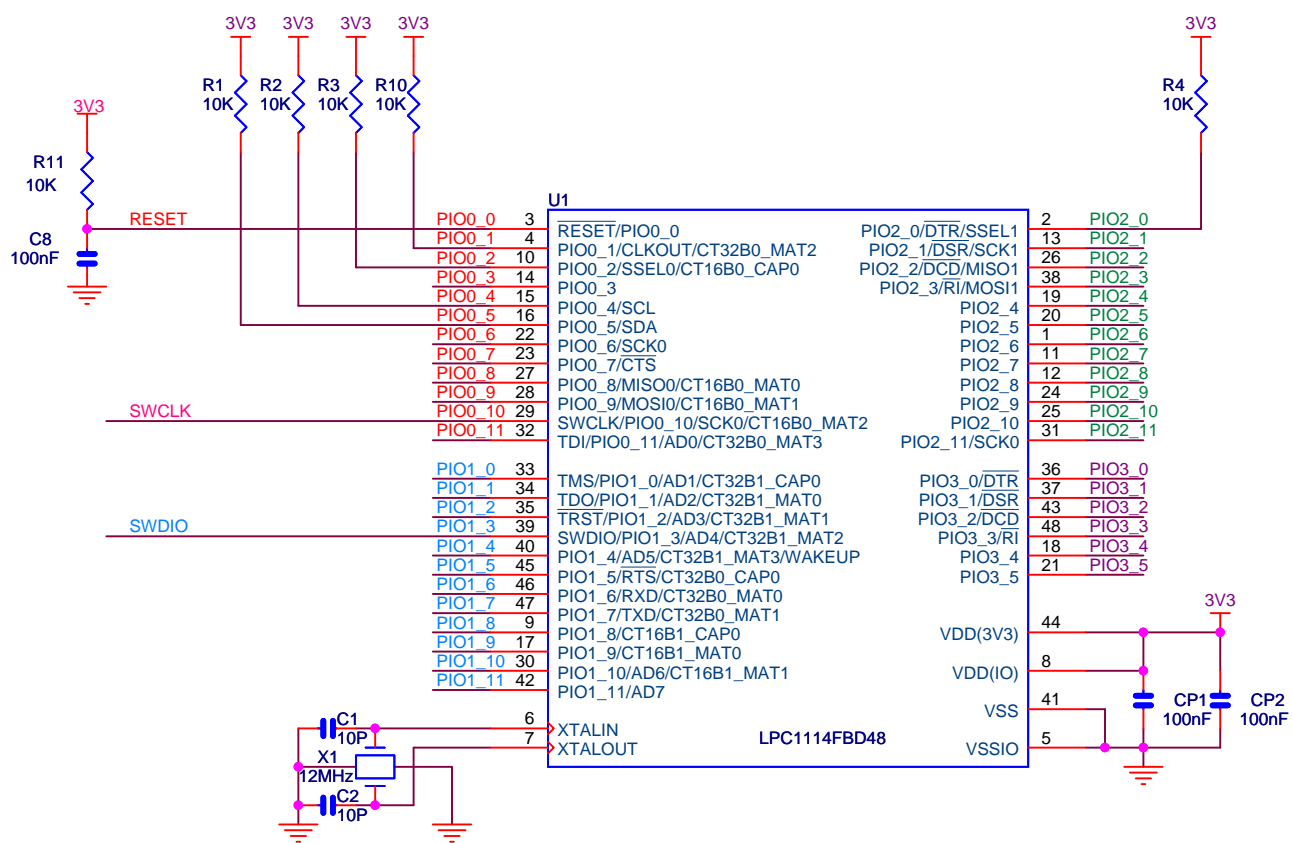
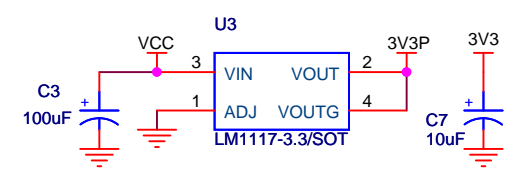


PIN OUT

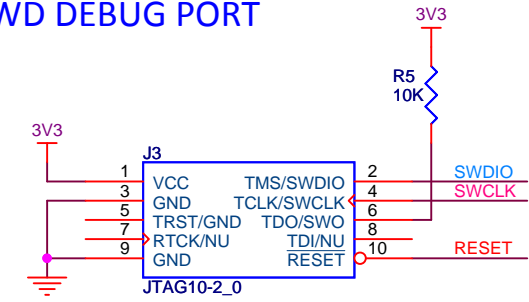
LPC111x



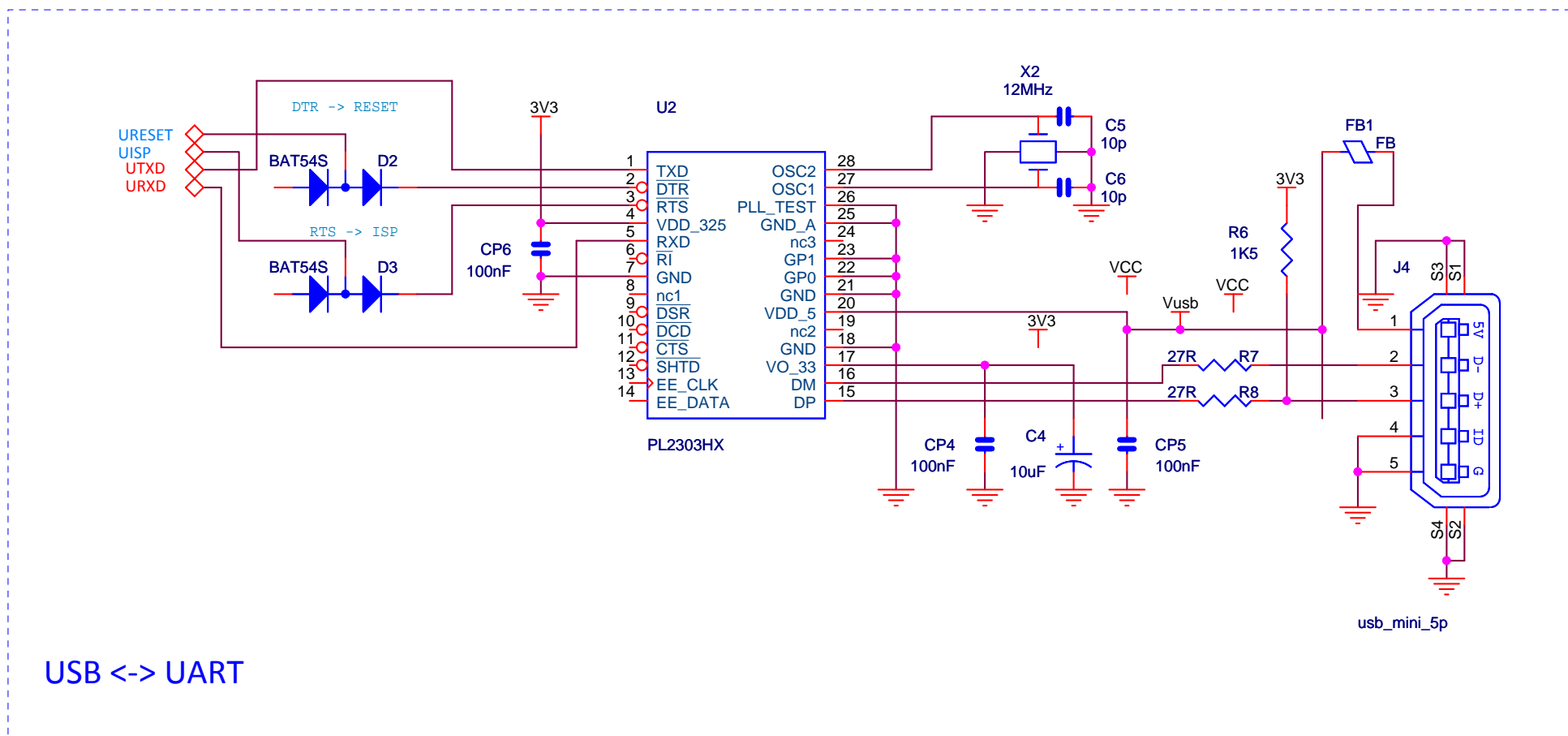
POWER 3.3V



SWD DEBUG PORT



Title		
ZIIIxP		
Size	Document Number	Rev
A4	LPC1114	1.0
Date:	Monday, April 26, 2010	Sheet 1 of 2



USB <-> UART

Title		
ZILLIXP		
Size	Document Number	Rev
A	USB <-> UART	1.0
Date:	Monday, April 26, 2010	Sheet 2 of 2