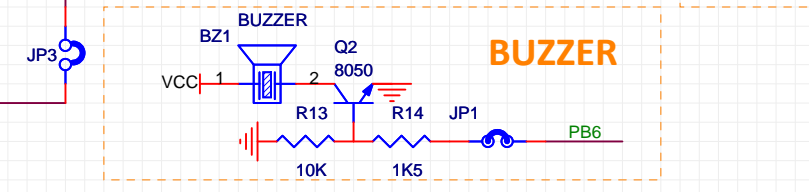
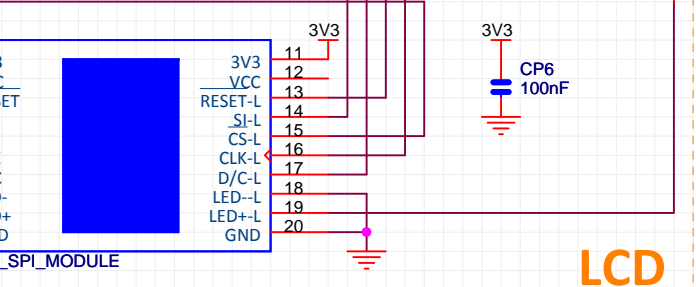
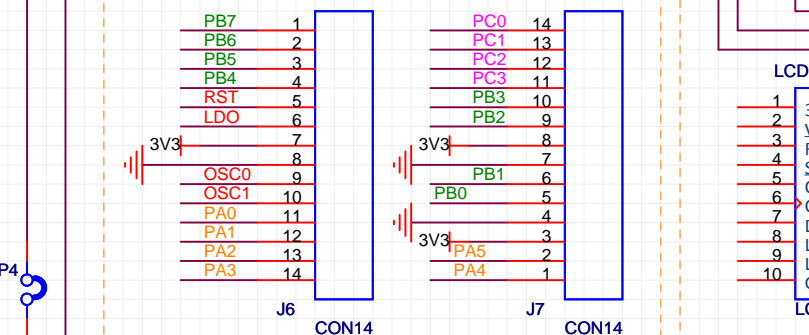
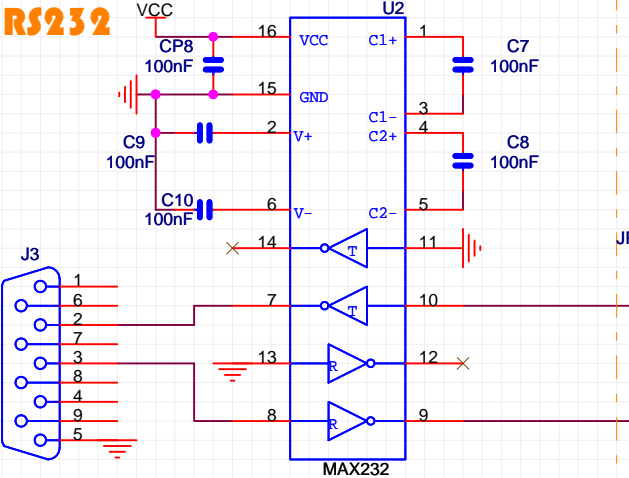
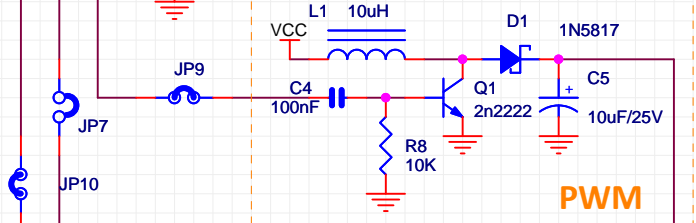
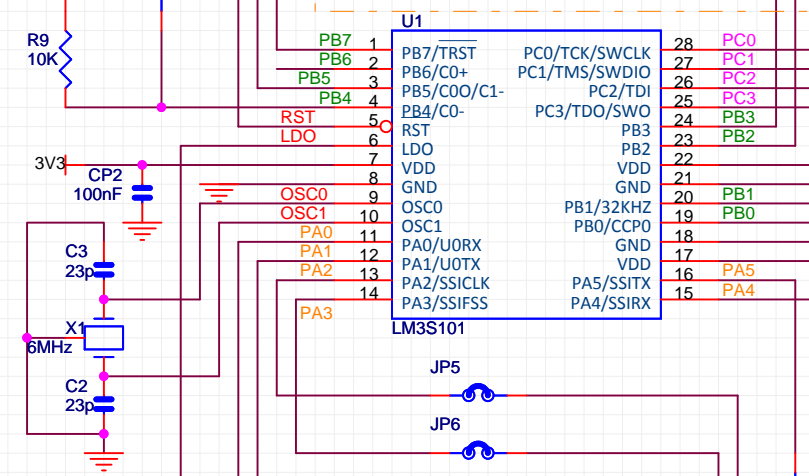
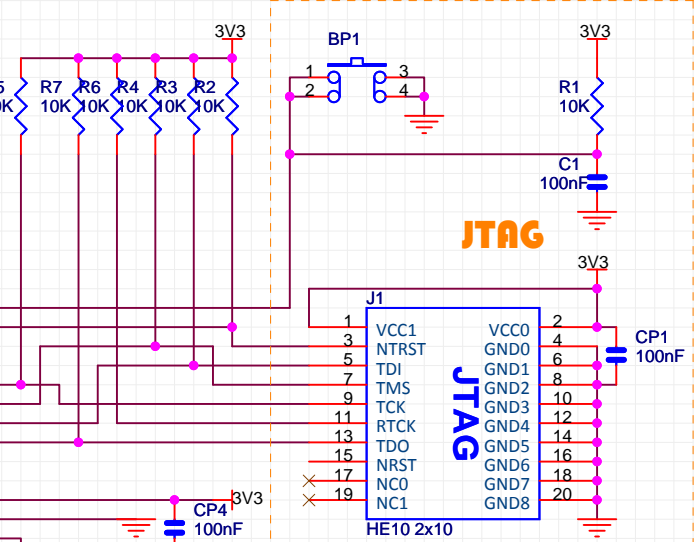
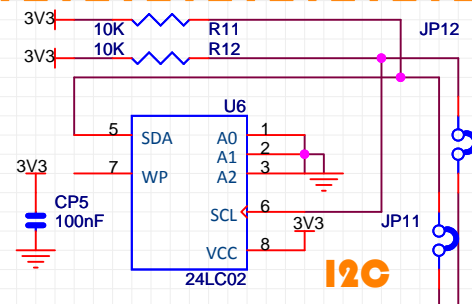
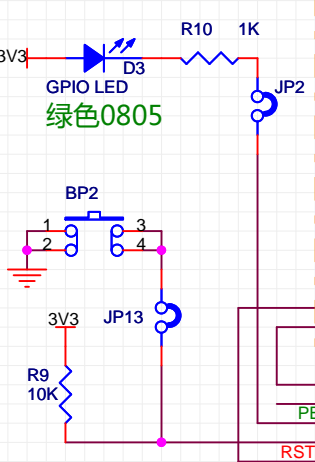
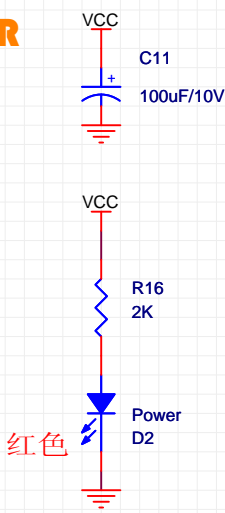
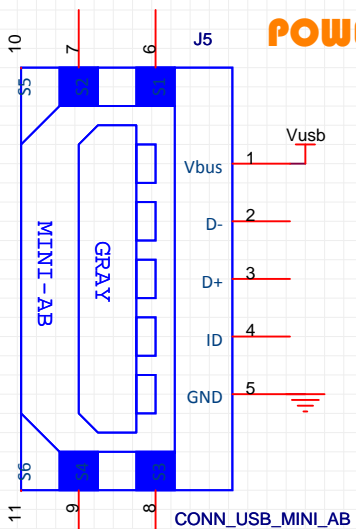


POWER



智林测控
www.the0.net

Title		
LM3S102 EVAL BOARD		
Size	Document Number	Rev
A4	Z3S102	1.0
Date:	Sunday, May 04, 2008	Sheet 1 of 1