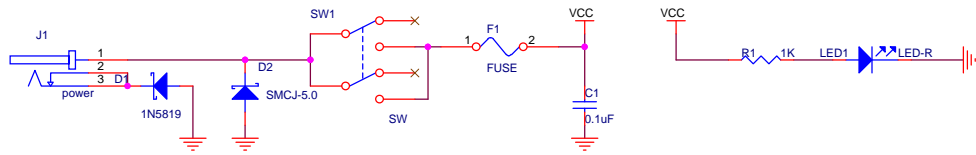
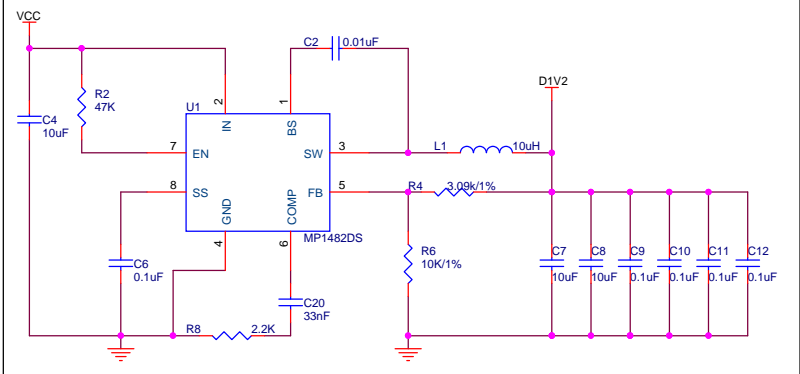


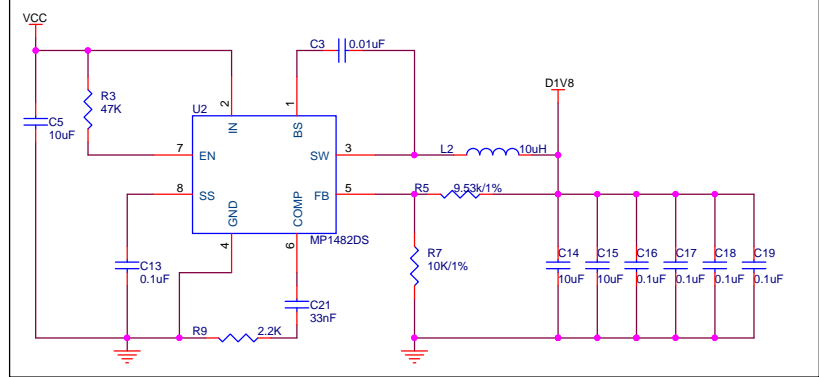
PAGE	Content
01	Block Diagram
02	Power
03	EX Connector
04	ARM CPU
05	CH7301 (VGA/DVI)
06	SIL9134 (HDMI OUT)
07	TW2867 (AV IN)
08	CMOS_TFT
09	Ethernet
10	SIL9013 (HDMI IN)



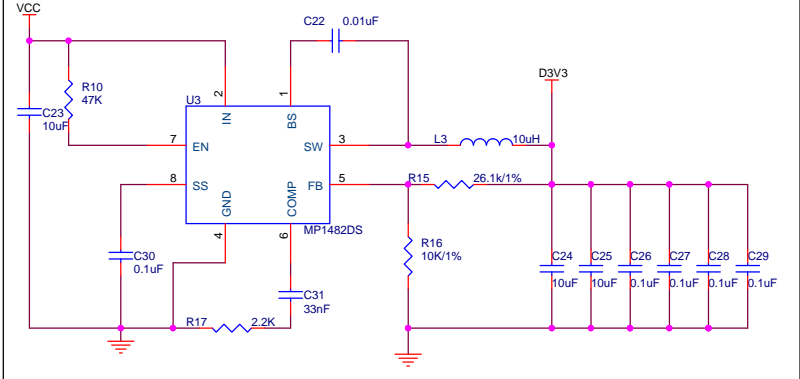
### +1.2V POWER



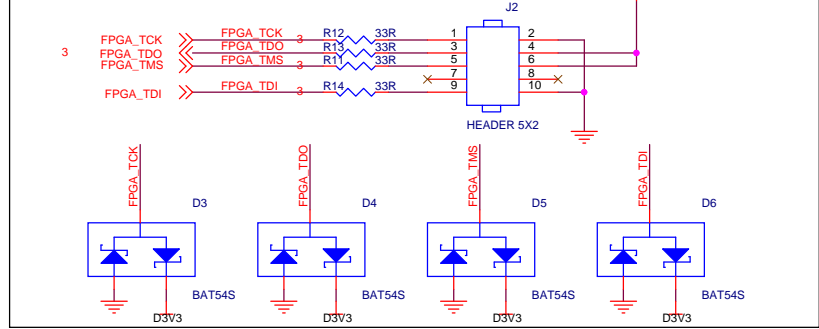
### +1.8V POWER

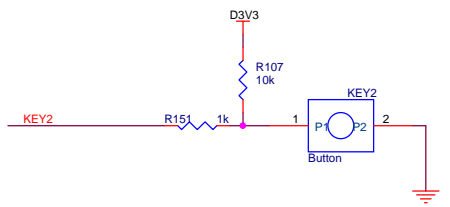
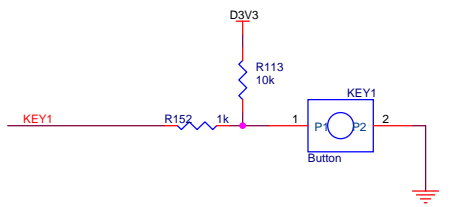
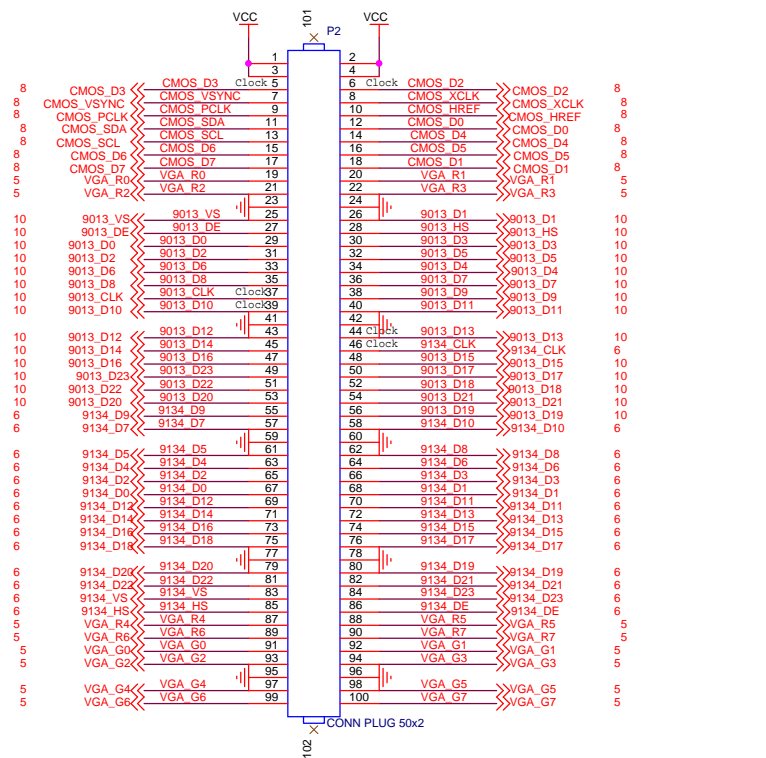
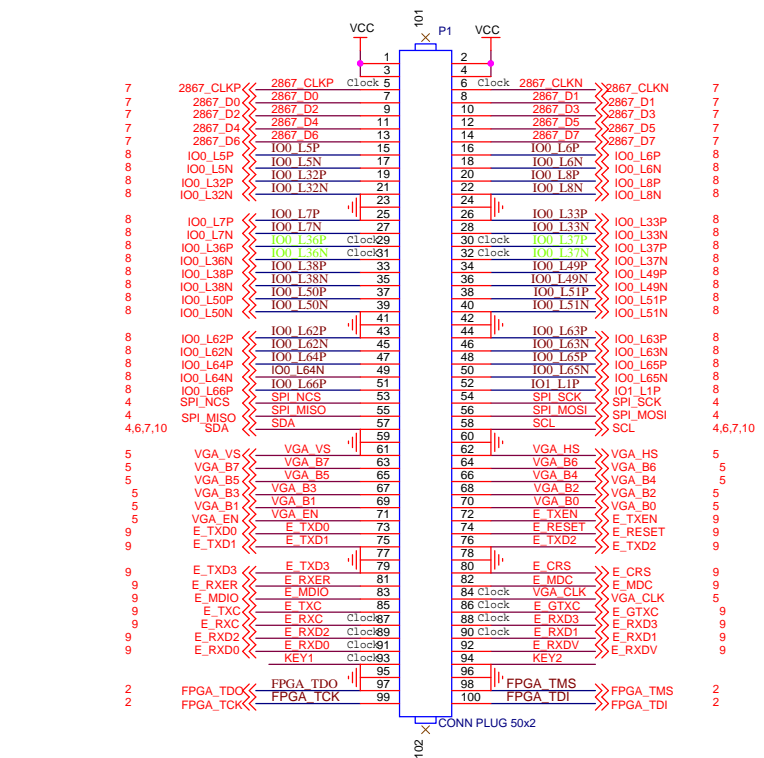


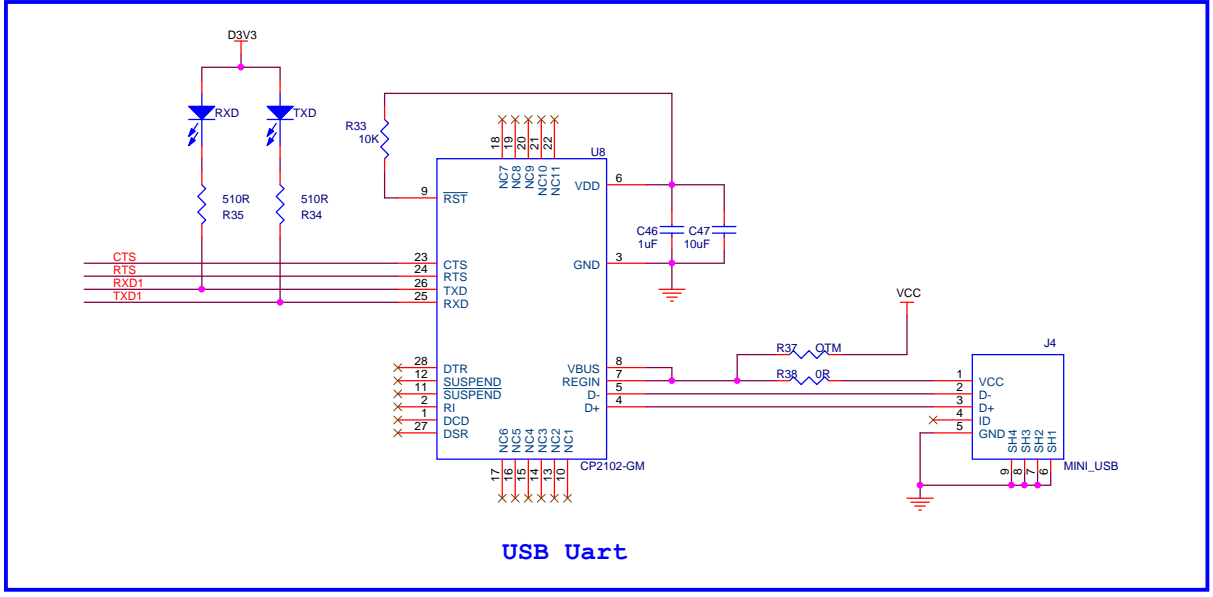
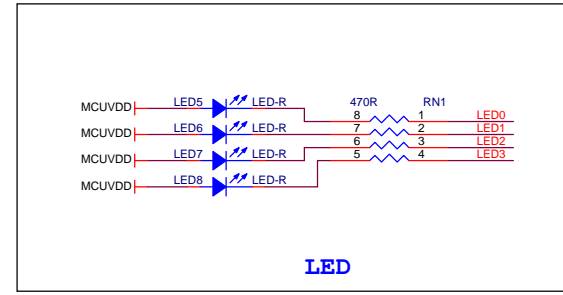
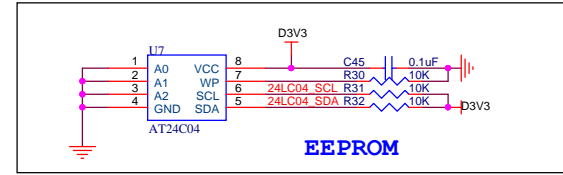
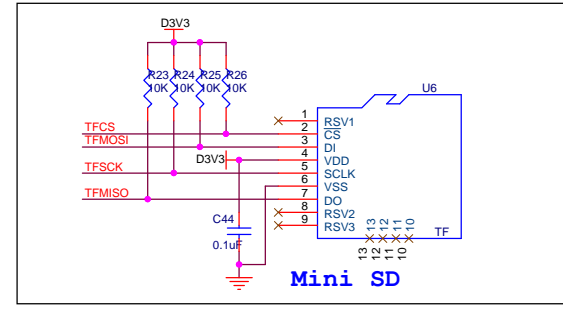
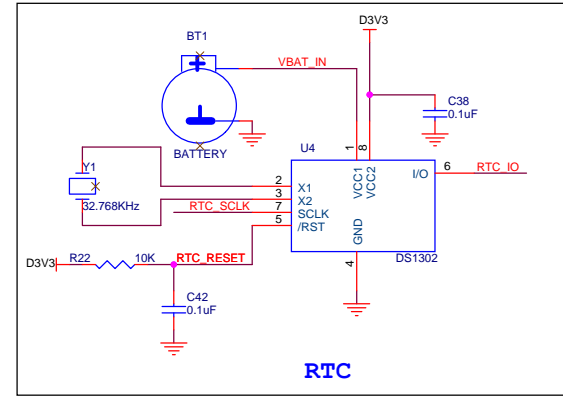
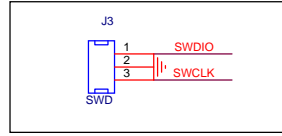
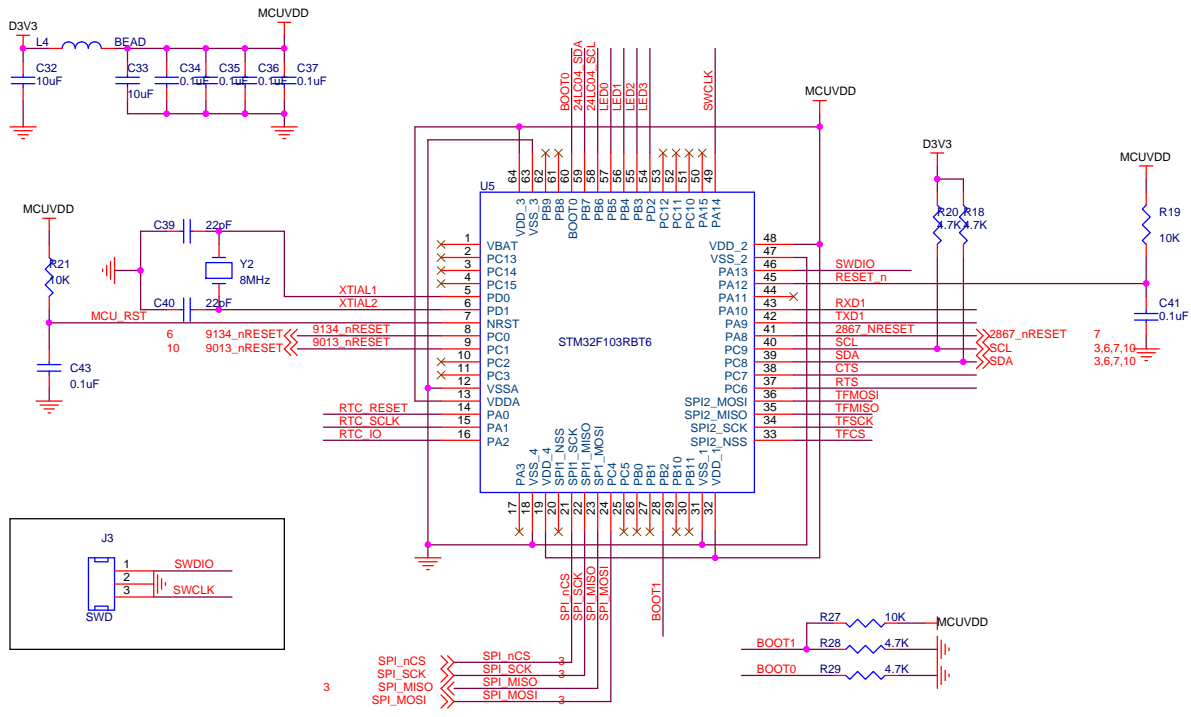
### +3.3V POWER

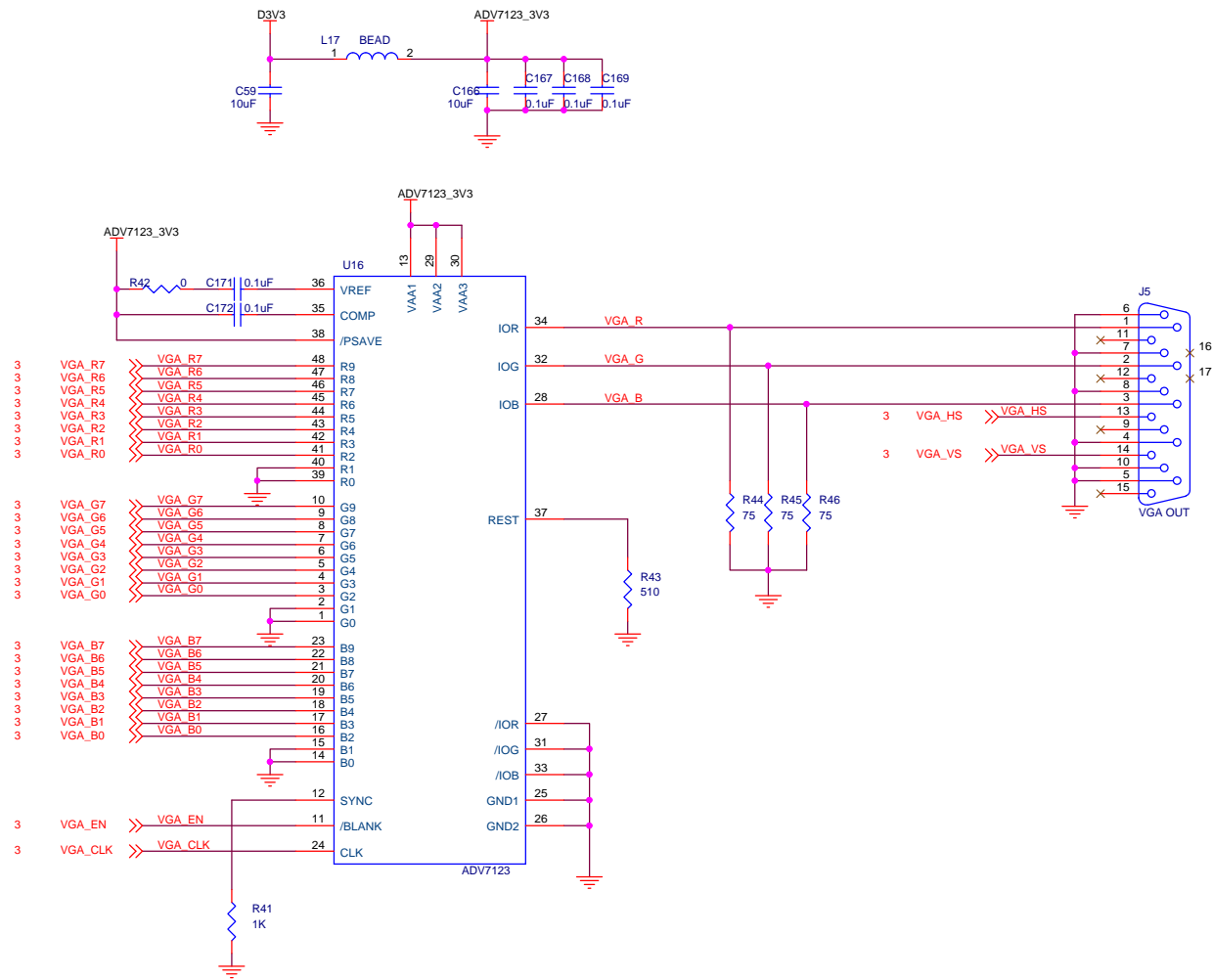


### JTAG Connector

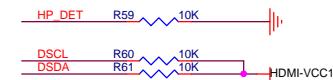
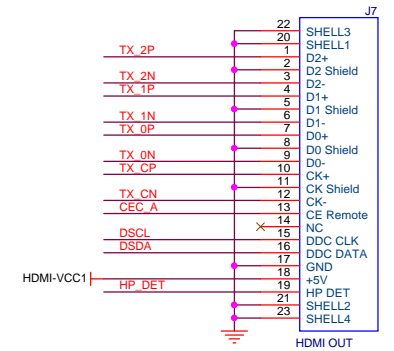
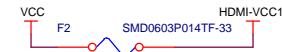
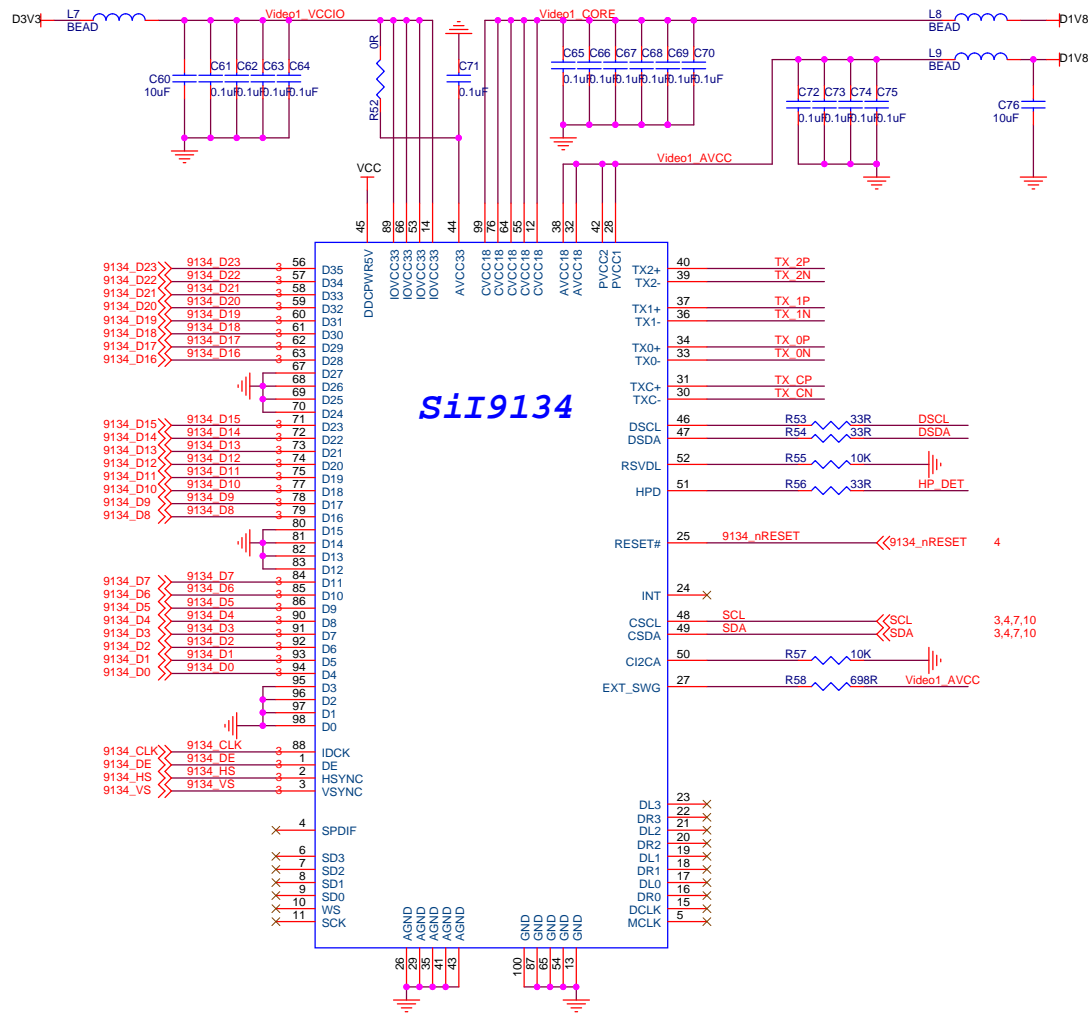




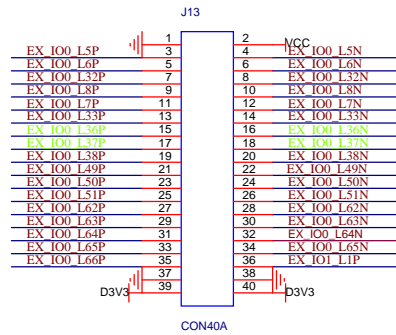
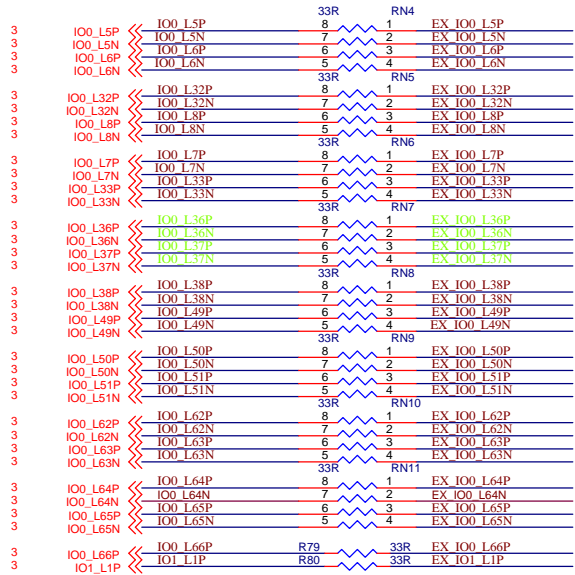
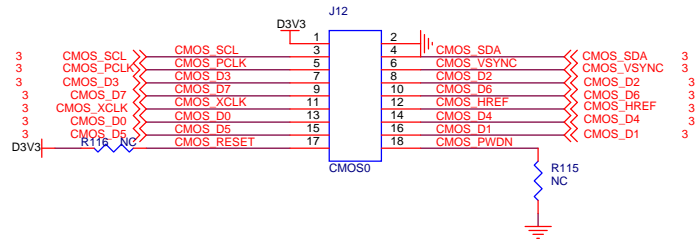




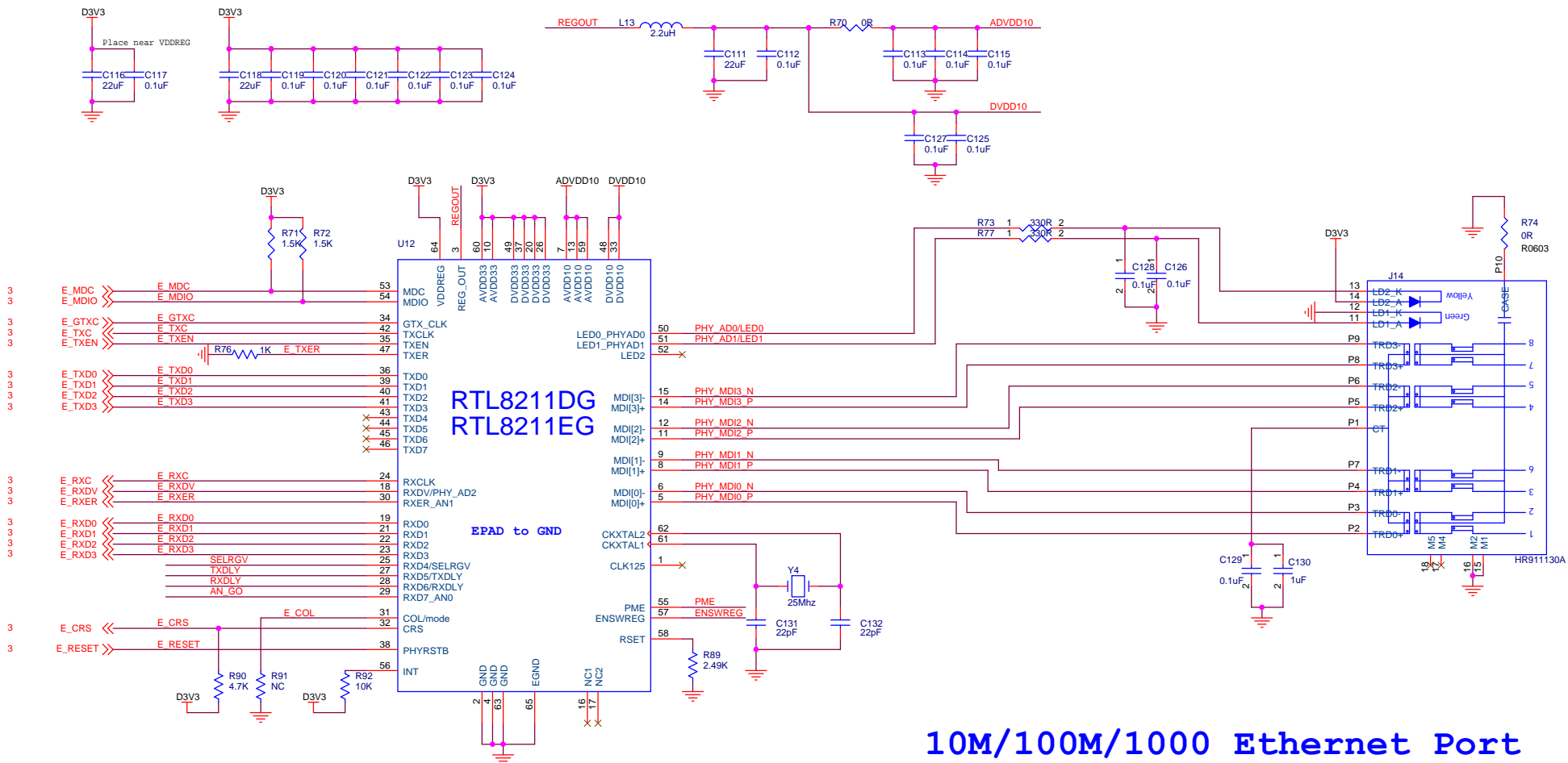
Title		
PAGE05_ADV7123		
Size	Document Number	Rev
	AV6045 扩展板原理图	1.0
Date:	Friday, March 10, 2017	Sheet 5 of 10



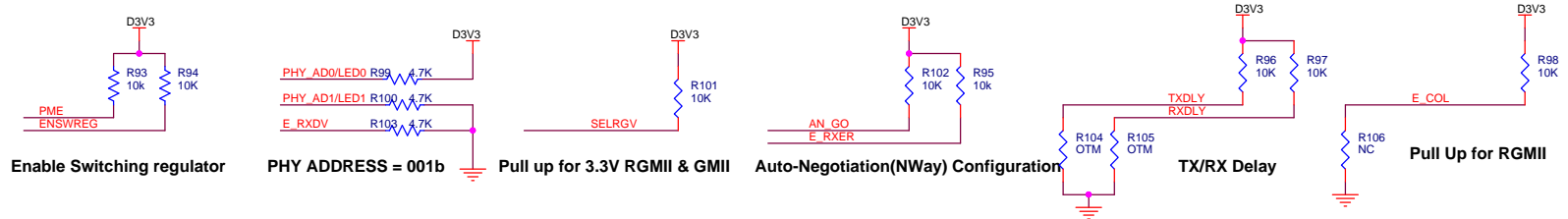








## 10M/100M/1000 Ethernet Port



**ALINX Confidential**

Title		
PAGE09_Ethernet		
Size	Document Number	Rev
	AV6045 扩展板原理图	1.0
Date:	Friday, March 10, 2017	Sheet 9 of 10

