

UIA

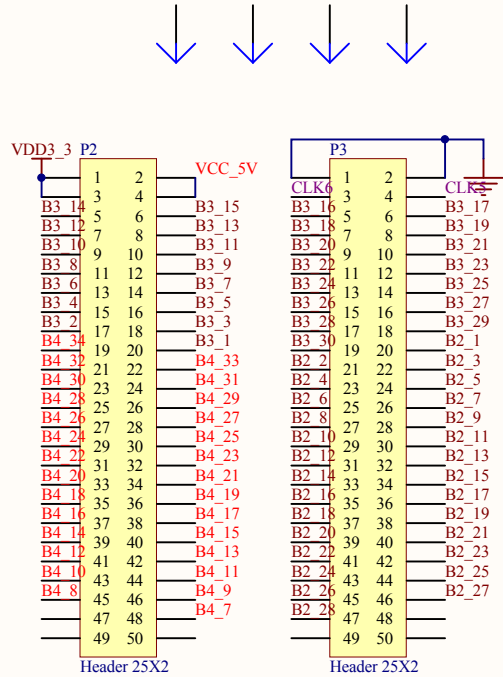
BANK 1

IO, (ASDO)	ASDO
IO, (nCSO)	nCSO
IO, LVDS15p (CRC_ERROR)	B1_1
IO, LVDS15n (CLKUSR)	B1_2
IO, LVDS14p	B1_3
IO, LVDS14n	B1_4
IO, LVDS13p, DQ1I0/	B1_5
IO, LVDS13n, DQ1I1/	B1_6
IO, LVDS12p, DQ1I2/	B1_7
IO, LVDS12n, DQ1I3/	B1_8
IO, VREFB1N0	B1_9
IO, LVDS8p, (DPCLK0/DQS0L)/(DPCLK0/DQS0L)	B1_10
IO, LVDS8n	B1_11
IO, LVDS7p, (DPCLK1/DQS1L)/(DPCLK1/DQS1L)	B1_12
IO, LVDS7n	B1_13
IO, LVDS6n, DQ1I4/	B1_14
IO, DQ1I5/	B1_15
IO, LVDS5p, DQ1I6/	B1_16
IO, VREFB1N1	B1_17
IO, LVDS3n, DQ1I7/	B1_18
IO, LVDS2p, DQ1I8/	B1_19
IO, LVDS2n, (DM1L/BWS#1L)/	B1_20
IO	B1_21
IO, LVDS0p	B1_22
IO, LVDS0n	B1_23
IO	B1_24
IO, PLL1_OUTp	B1_25
IO, PLL1_OUTn	B1_26

UIC

BANK 3

IO, LVDS56n	B3_1
IO, LVDS56p, (DM1R/BWS#1R)/(DM1R1/BWS#1R1)	B3_2
IO, LVDS54n (INIT_DONE)	B3_3
IO, LVDS54p (nCEO)	B3_4
IO, LVDS53n, DQ1R8/DQ1R17	B3_5
IO, LVDS53p, DQ1R7/DQ1R16	B3_6
IO, LVDS52n, DQ1R6/DQ1R15	B3_7
IO, LVDS52p, DQ1R5/DQ1R14	B3_8
IO, LVDS51n, DQ1R4/DQ1R13	B3_9
IO, LVDS51p, DQ1R3/DQ1R12	B3_10
IO, VREFB3N1	B3_11
IO, DQ1R2/DQ1R11	B3_12
IO, LVDS48n, DQ1R1/DQ1R10	B3_13
IO, LVDS48p, (DPCLK6/DQS1R)/(DPCLK6/DQS1R)	B3_14
IO, LVDS47n, DQ1R0/DQ1R9	B3_15
IO, LVDS47p, (DPCLK7/DQS0R)/(DPCLK7/DQS0R)	B3_16
IO, LVDS46n, DM0R/(DM1R0/BWS#1R0)	B3_17
IO, LVDS46p, /_DQ1R8	B3_18
IO, LVDS45n, DQ0R7/DQ1R7	B3_19
IO, LVDS45p, DQ0R6/DQ1R6	B3_20
IO, LVDS44n, DQ0R5/DQ1R5	B3_21
IO, LVDS44p, DQ0R4/DQ1R4	B3_22
IO, LVDS42n, DQ0R3/DQ1R3	B3_23
IO, LVDS42p, DQ0R2/DQ1R2	B3_24
IO, VREFB3N0	B3_25
IO, LVDS39n, DQ0R1/DQ1R1	B3_26
IO, LVDS39p, DQ0R0/DQ1R0	B3_27
IO, LVDS38n	B3_28
IO, LVDS38p	B3_29
IO, PLL2_OUTp	B3_30
IO, PLL2_OUTn	B3_30



B4_26	A0
B4_27	A1
B4_24	A2
B4_25	A3
B4_22	A4
B4_13	A5
B4_10	A6
B4_11	A7
B4_8	A8
B4_9	A9
B2_26	A10
B2_27	A11
B2_24	A12
B2_25	A13
B2_22	A14
B2_11	A15
B2_8	A16
B2_9	A17
B2_23	A18

SRAM nCS 1
B4_12 nWE
B2_10 nOE

B2_13 UB
B2_12 LB

D0	B4_20
D1	B4_21
D2	B4_18
D3	B4_19
D4	B4_16
D5	B4_17
D6	B4_14
D7	B4_15
D8	B2_20
D9	B2_21
D10	B2_18
D11	B2_19
D12	B2_16
D13	B2_17
D14	B2_14
D15	B2_15

* All copyrights reserved by amy studio
* amy studio - - make development easier
* web <http://www.amy-studio.com>
* taobao <http://amy-studio.taobao.com>
* email amy-studio@qq.com

UIB

BANK 2

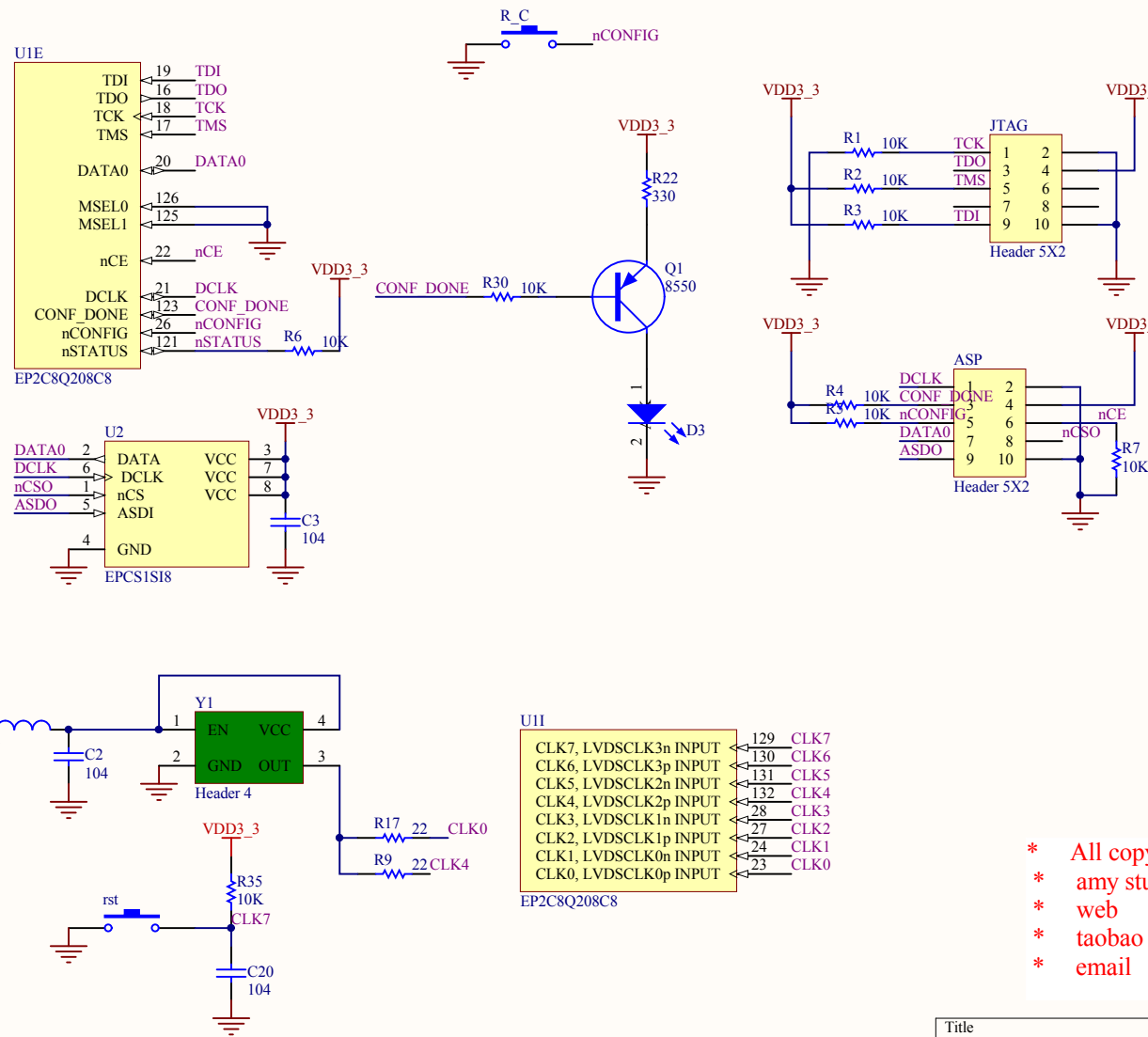
IO, LVDS37n	B2_1
IO, LVDS37p, DQ0T0/DQ1T0	B2_2
IO, LVDS36n, DQ0T1/DQ1T1	B2_3
IO, LVDS36p, DQ0T2/DQ1T2	B2_4
IO, LVDS35n, DQ0T3/DQ1T3	B2_5
IO, LVDS35p, DQ0T4/DQ1T4	B2_6
IO, LVDS34n	B2_7
IO, LVDS34p, (DPCLK8/DQS0T)/(DPCLK8/DQS0T)	B2_8
IO, VREFB2N0	B2_9
IO, LVDS33n, DQ0T5/DQ1T5	B2_10
IO, LVDS33p, DQ0T6/DQ1T6	B2_11
IO, LVDS31n, DQ0T7/DQ1T7	B2_12
IO, LVDS31p, /_DQ1T8	B2_13
IO, LVDS31p, /_DQ1T8	B2_14
IO, LVDS29n, DM0T/(DM1T0/BWS#1T0)	B2_15
IO, LVDS29p	B2_16
IO, LVDS28n	B2_17
IO, LVDS28p	B2_18
IO, LVDS26p, DQ1T0/DQ1T9	B2_19
IO, LVDS25n	B2_20
IO, LVDS25p, DQ1T1/DQ1T10	B2_21
IO, LVDS24n, DQ1T2/DQ1T11	B2_22
IO, LVDS24p, DQ1T3/DQ1T12	B2_23
IO, VREFB2N1	B2_24
IO, LVDS23n, DQ1T4/DQ1T13	B2_25
IO, LVDS23p, DQ1T5/DQ1T14	B2_26
IO, LVDS21n	B2_27
IO, LVDS21p	B2_28
IO, LVDS19n	B2_29
IO, LVDS19p, (DPCLK10/DQS1T)/(DPCLK10/DQS1T)	B2_30
IO, LVDS18n, DQ1T6/DQ1T15	B2_31
IO, LVDS18p, DQ1T7/DQ1T16	B2_32
IO, LVDS17p, DQ1T8/DQ1T17	B2_33
IO, LVDS17n (DEV_CLRn)	B2_34
IO, LVDS16p, (DM1T/BWS#1T)/(DM1T1/BWS#1T1)	B2_35
IO, LVDS16n	B2_35

UID

BANK 4

IO, LVDS77n (DEV_OE)	B4_1
IO, LVDS77p, (DM1B/BWS#1B)/(DM1B1/BWS#1B1)	B4_2
IO, LVDS76p, DQ1B8/DQ1B17	B4_3
IO, LVDS76n, DQ1B7/DQ1B16	B4_4
IO, LVDS75p, DQ1B6/DQ1B15	B4_5
IO, LVDS75n, DQ1B5/DQ1B14	B4_6
IO, LVDS74p, (DPCLK2/DQS1B)/(DPCLK2/DQS1B)	B4_7
IO, LVDS74n	B4_8
IO, LVDS74n	B4_9
IO, VREFB4N1	B4_10
IO, LVDS70p, DQ1B4/DQ1B13	B4_11
IO, LVDS70n, DQ1B3/DQ1B12	B4_12
IO, LVDS68p, DQ1B2/DQ1B11	B4_13
IO, LVDS68n, DQ1B1/DQ1B10	B4_14
IO, LVDS67p, DQ1B0/DQ1B9	B4_15
IO, LVDS67n	B4_16
IO, LVDS66p	B4_17
IO, LVDS66n	B4_18
IO	B4_19
IO, LVDS64p	B4_20
IO, LVDS64n	B4_21
IO, LVDS63p, DM0B/(DM1B0/BWS#1B0)	B4_22
IO, LVDS63n, /_DQ1B8	B4_23
IO, LVDS62p, DQ0B7/DQ1B7	B4_24
IO, LVDS62n, DQ0B6/DQ1B6	B4_25
IO, VREFB4N0	B4_26
IO, LVDS61p, DQ0B5/DQ1B5	B4_27
IO, LVDS61n, DQ0B4/DQ1B4	B4_28
IO, LVDS60p, (DPCLK4/DQS0B)/(DPCLK4/DQS0B)	B4_29
IO, LVDS60n	B4_30
IO, DQ0B3/DQ1B3	B4_31
IO, LVDS59p, DQ0B2/DQ1B2	B4_32
IO, LVDS59n, DQ0B1/DQ1B1	B4_33
IO, LVDS58p, DQ0B0/DQ1B0	B4_34
IO, LVDS58n	B4_35
IO, LVDS57p	B4_35
IO, LVDS57n	B4_36

Title		
EP2C8Q208C8 FPGA NIOS II Board		
Size	Number	Revision
A4	Bank	V1.0
Date:	2010-3-9	Sheet of
File:	E:\ \.bank.SchDoc	Drawn By: zt0801



* All copyrights reserved by amy studio
 * amy studio - - make development easier
 * web <http://www.amy-studio.com>
 * taobao <http://amy-studio.taobao.com>
 * email amy-studio@qq.com

Title			
EP2C8Q208C8 FPGA NIOS II Board			
Size	Number	Revision	
A4		Configure	
Date:	2010-3-9	Sheet of	V1.0
File:	E:\...\configure.SchDoc	Drawn By:	zl0801

U_bank
bank.SchDoc



U_configure
configure.SchDoc



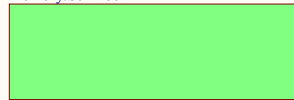
U_module
module.SchDoc



U_power
power.SchDoc

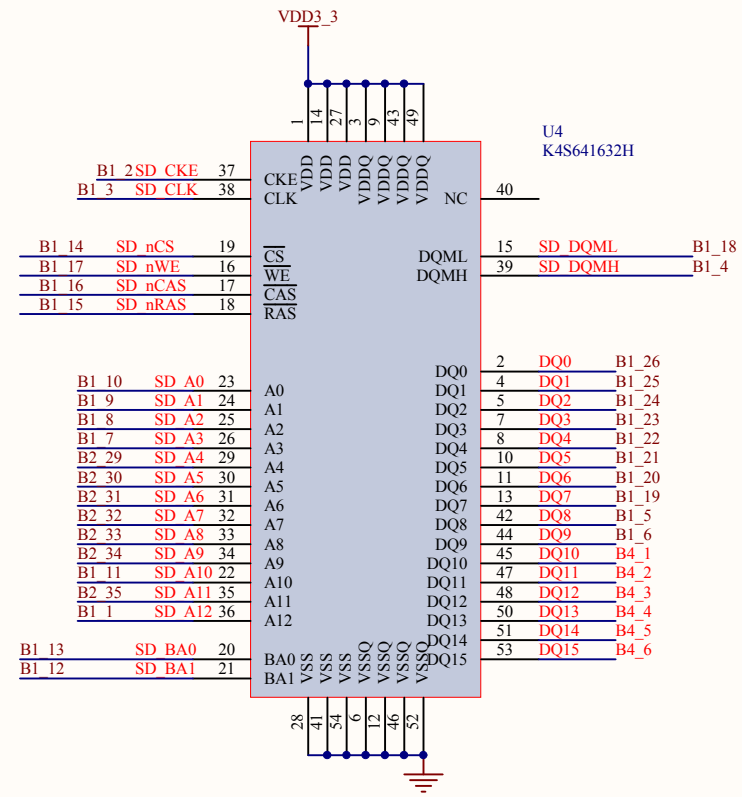
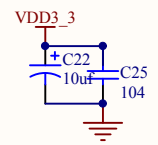
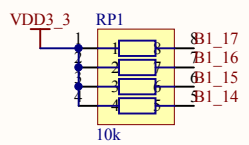
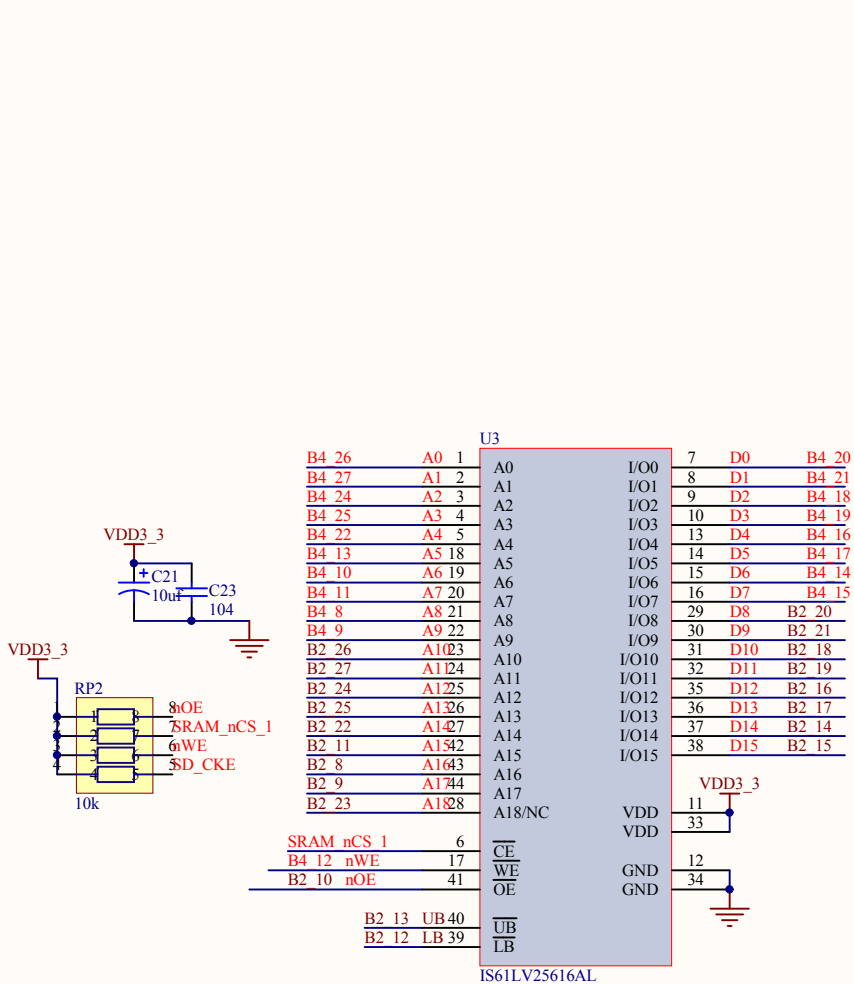


U_memory
memory.SchDoc



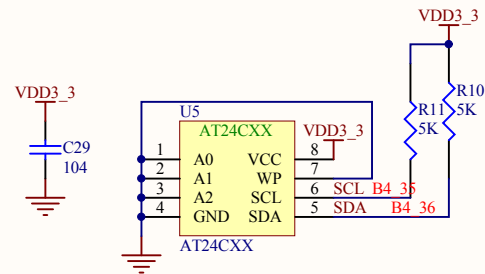
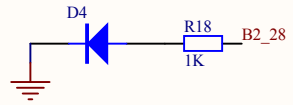
* All copyrights reserved by amy studio
 * amy studio - - make development easier
 * web <http://www.amy-studio.com>
 * taobao <http://amy-studio.taobao.com>
 * email amy-studio@qq.com

Title			EP2C8Q208C8 FPGA NIOS II Board		
Size	Number	Revision			
A4		Up		V1.0	
Date:	2010-3-9	Sheet of			
File:	E:\ \.ep2c8.SchDoc	Drawn By:	zl0801		



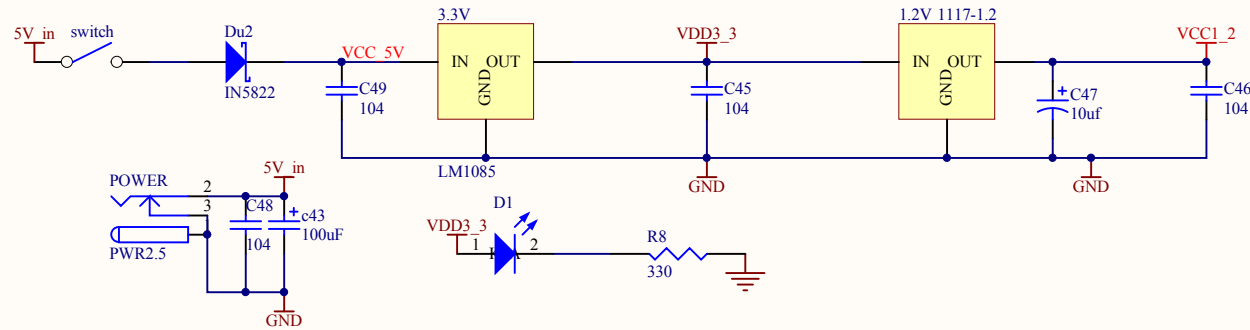
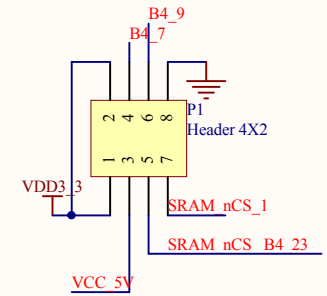
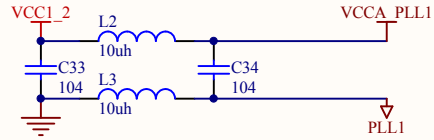
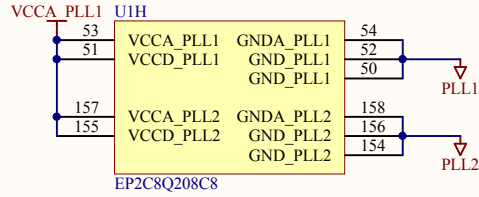
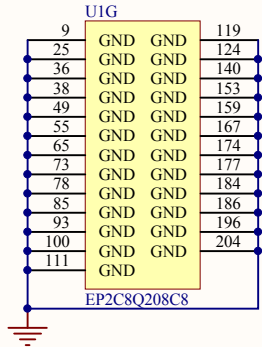
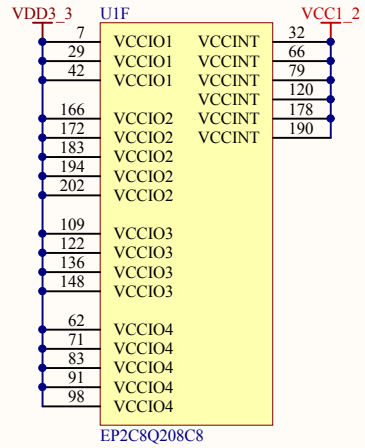
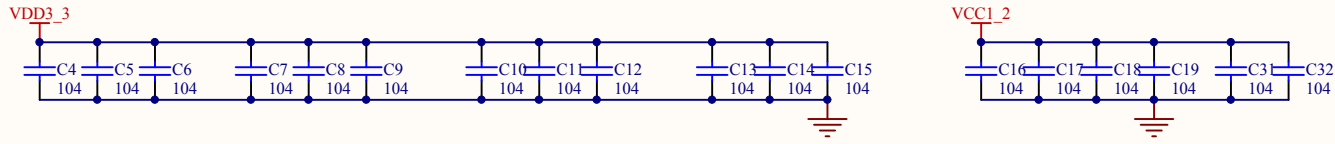
* All copyrights reserved by amy studio
 * amy studio - - make development easier
 * web <http://www.amy-studio.com>
 * taobao <http://amy-studio.taobao.com>
 * email amy-studio@qq.com

Title			
EP2C8Q208C8 FPGA NIOS II Board			
Size	Number	Revision	
A4	Memory	V1.0	
Date:	2010-3-9	Sheet of	
File:	E:\...\memory.SchDoc	Drawn By:	z10801



* All copyrights reserved by amy studio
 * amy studio - - make development easier
 * web <http://www.amy-studio.com>
 * taobao <http://amy-studio.taobao.com>
 * email amy-studio@qq.com

Title			EP2C8Q208C8 FPGA NIOS II Board		
Size	Number	Revision		Revision	
A4		Modules		V1.0	
Date:	2010-3-9	Sheet of			
File:	E:\...module.SchDoc	Drawn By:		zl0801	



* All copyrights reserved by amy studio
 * amy studio - - make development easier
 * web <http://www.amy-studio.com>
 * taobao <http://amy-studio.taobao.com>
 * email amy-studio@qq.com

Title			
EP2C8Q208C8 FPGA NIOS II Board			
Size	Number	Revision	
A4		Power	V1.0
Date:	2010-3-9	Sheet of	
File:	E:\...\power.SchDoc	Drawn By:	zl0801