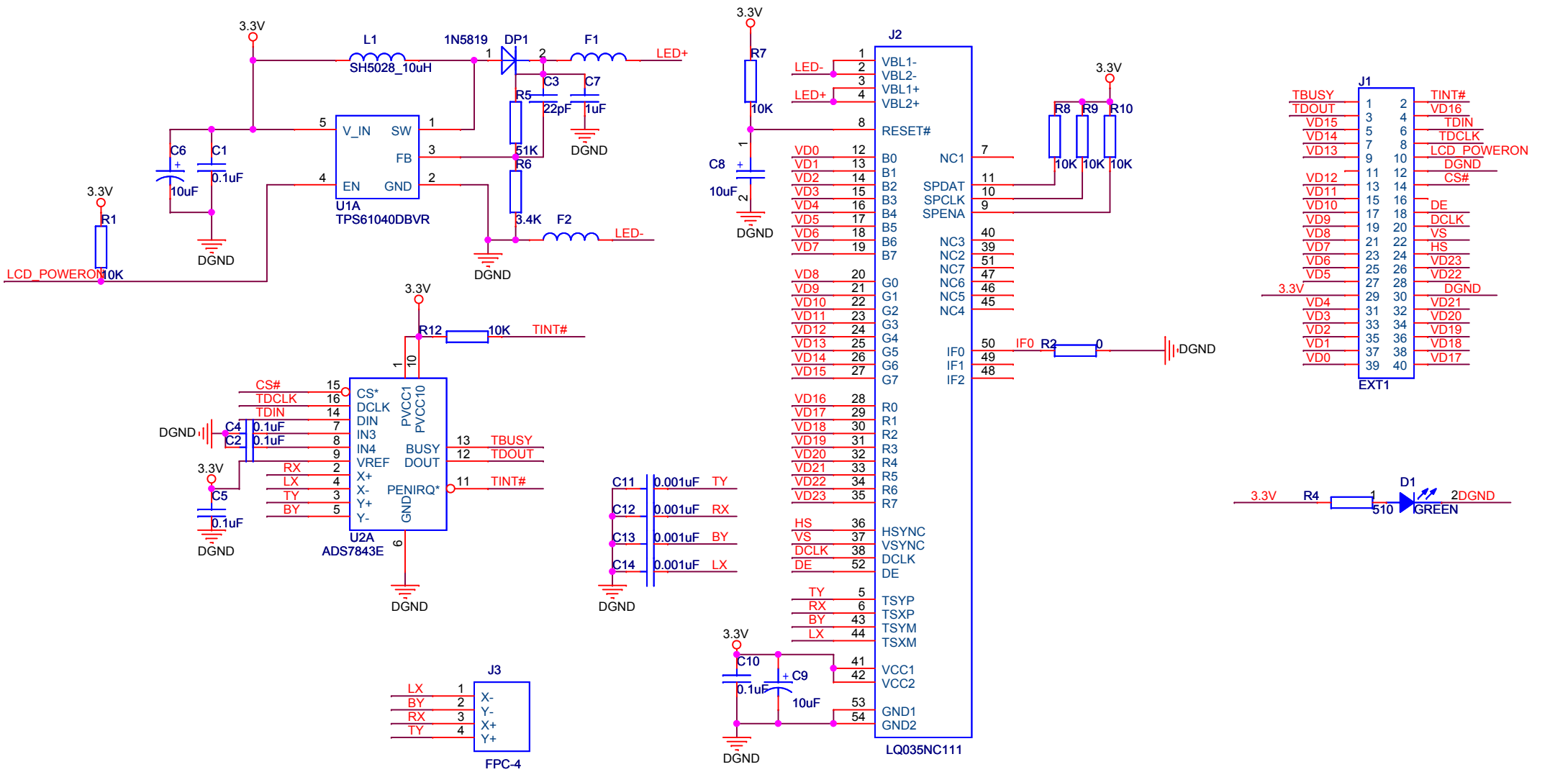


$$V_{out} = 1.233 \times (1 + R_5/R_6)$$



Title		
<Title>		
Size	Document Number	Rev
A4	<Doc>	<RevC>
Date:	Friday, October 30, 2009	Sheet 1 of 1