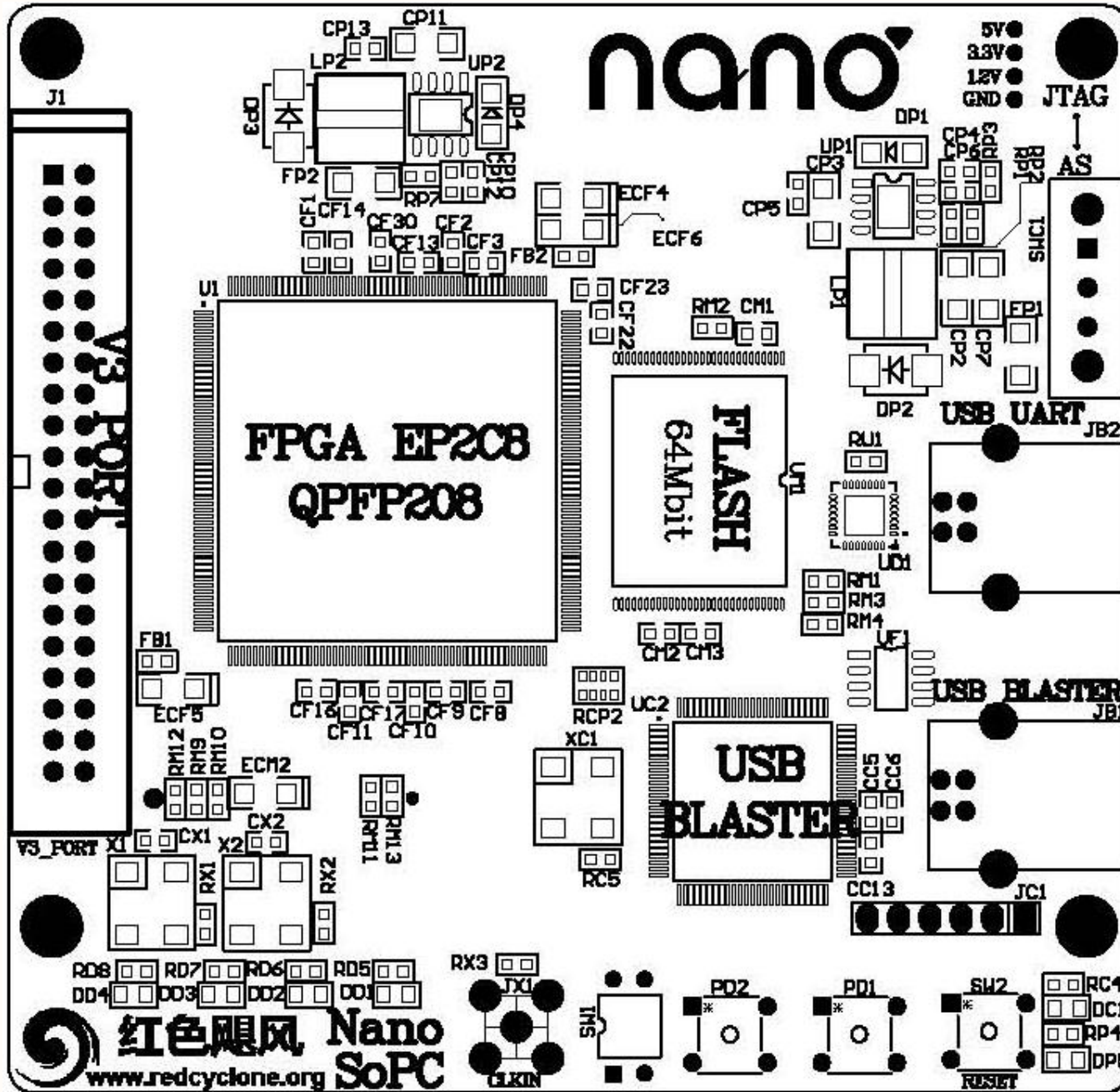


NANO-V2



- 00 TOP
- 01 FPGA BANK1_2
- 02 FPGA BANK3_4
- 03 FPGA CONF&CLK
- 04 FPGA POWER
- 05 MEMORY
- 06 PIO&UART&V3P
- 07 POWER
- 08 USB BLASTER

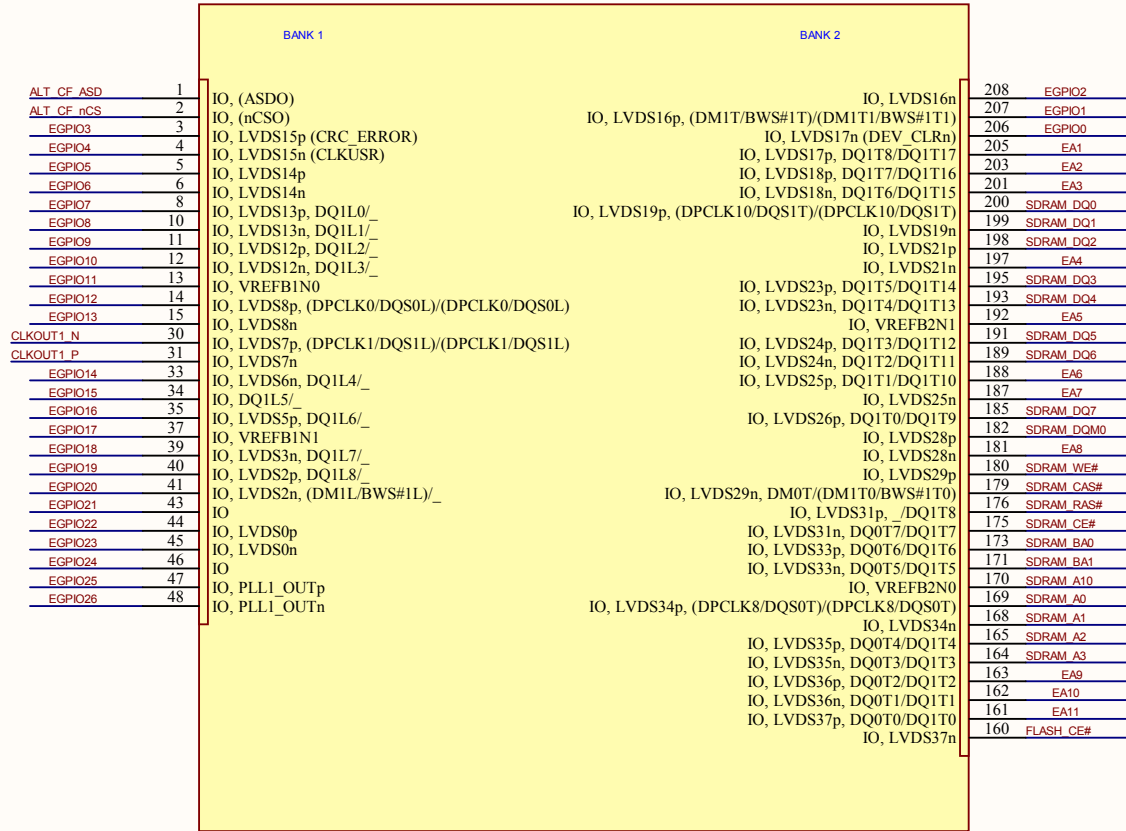
Title			NANOII-EP2C8		
Size	Document Number	Rev			A
A		00 TOP			A
Date:	Sheet	2	of	2	

SDRAM_CE# >> SDRAM_CE# CLKOUT1_P << CLKOUT1_P
 SDRAM_WE# >> SDRAM_WE# CLKOUT1_N << CLKOUT1_N
 SDRAM_CAS# >> SDRAM_CAS# EGPI03[0] << EGPI03[1..0]
 SDRAM_RAS# >> SDRAM_RAS#

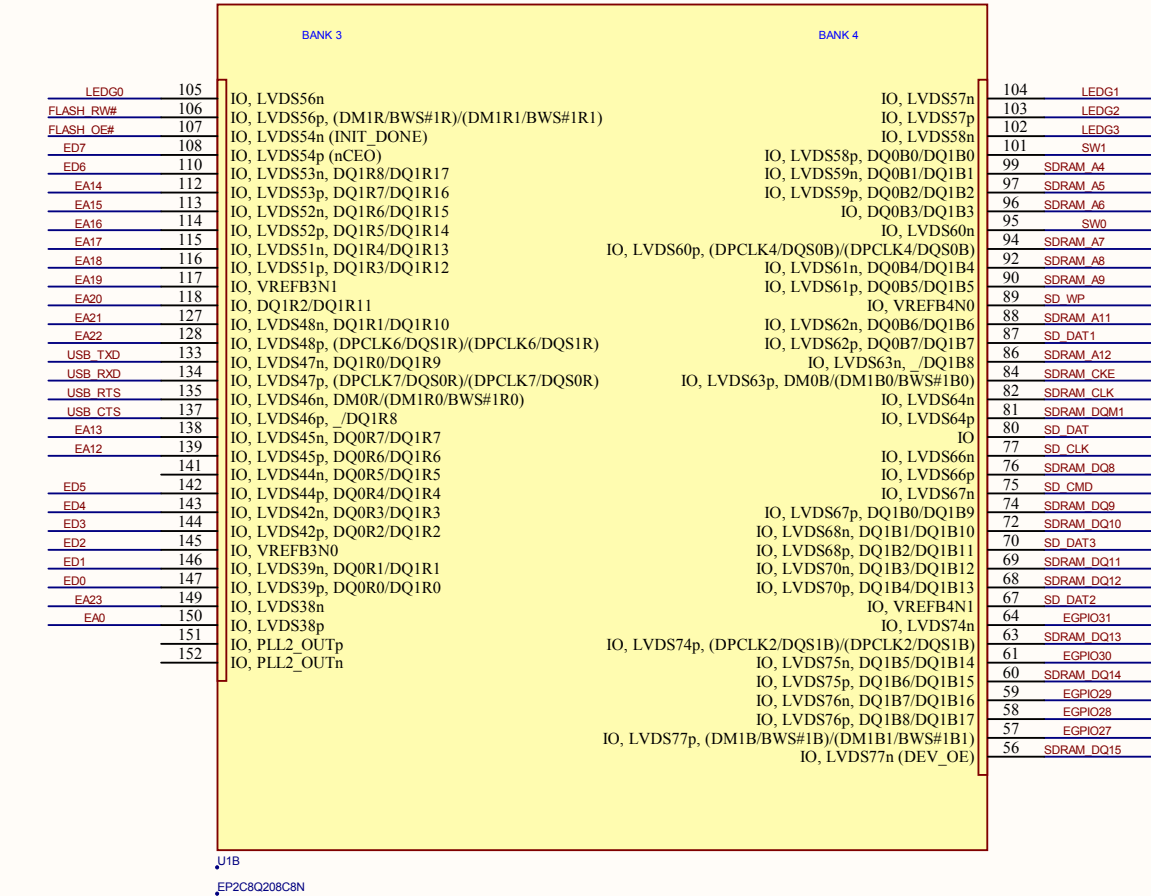
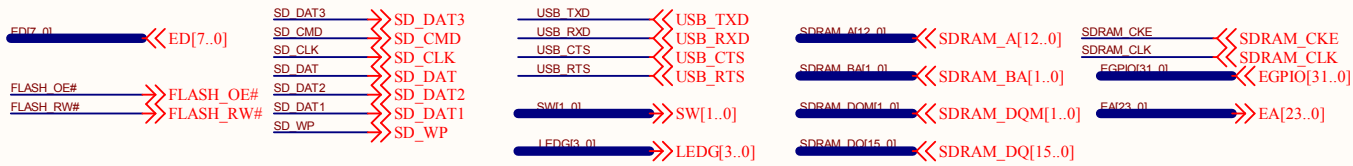
SDRAM_DQ[15..0] << SDRAM_DQ[15..0] EDI7_0 << ED[7..0]
 SDRAM_DQM[1..0] << SDRAM_DQM[1..0] EA23_0 << EA[23..0]
 SDRAM_A[12..0] << SDRAM_A[12..0]
 SDRAM_BA[1..0] << SDRAM_BA[1..0] FLASH_CE# >> FLASH_CE#

b pin 2c5 2c8
 B1 32 IO VCCINT
 B1 36 IO GND
 B3 119 IO GND
 B3 120 IO VCCINT

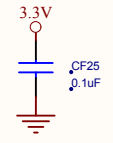
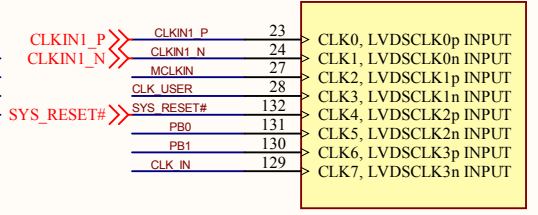
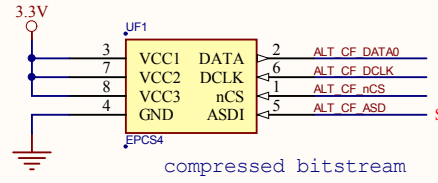
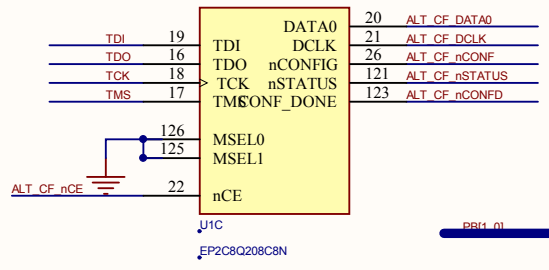
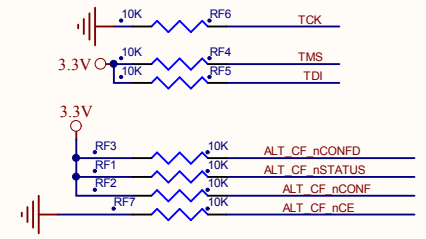
ALT_CF_ASD >> ALT_CF_ASD
 ALT_CF_nCS >> ALT_CF_nCS



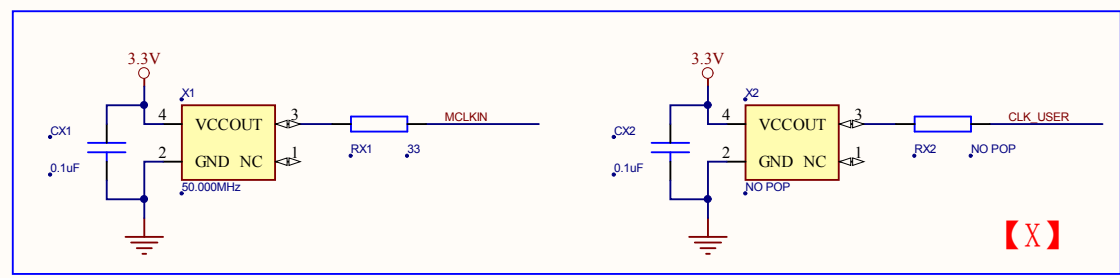
EP2C8Q208C8N
 U1A



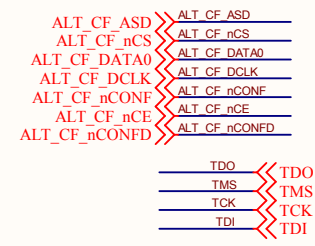
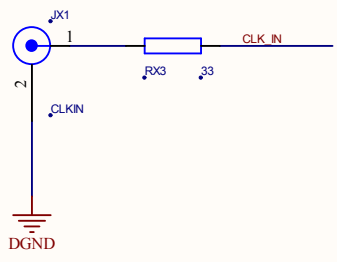
Title			NANOII-EP2C8		
Size	Document Number			Rev	
A	02 FPGA BANK3 4			A	
Date:	Sheet 2 of 2				

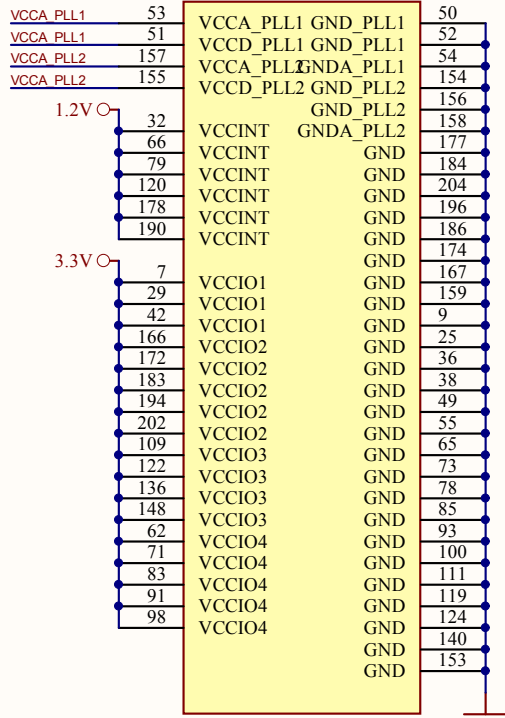


这些器件放在一起，距离FPGA不要太远



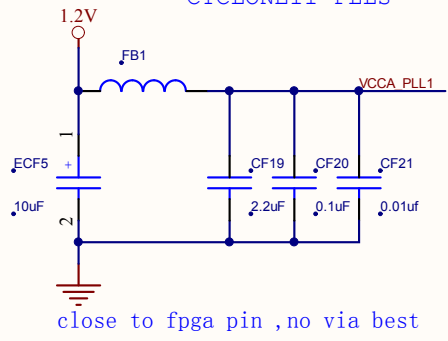
[X]



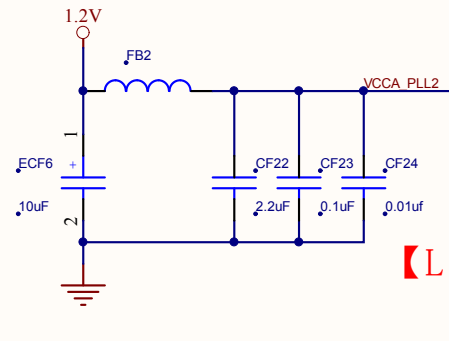


EP2C8Q208C8N
U1D

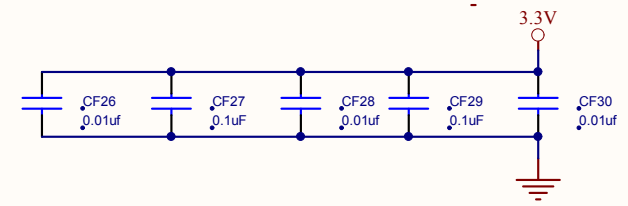
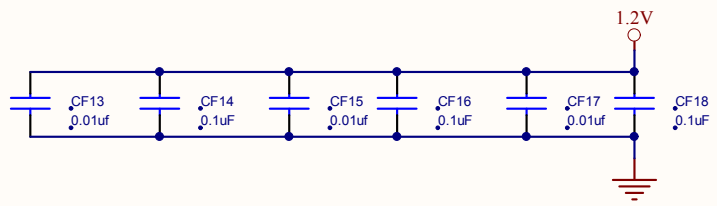
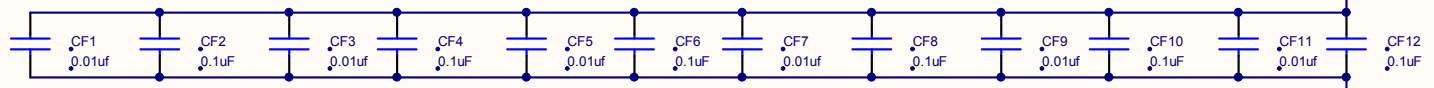
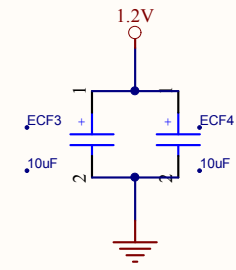
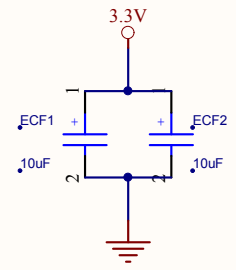
CYCLONEII PLLs



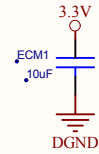
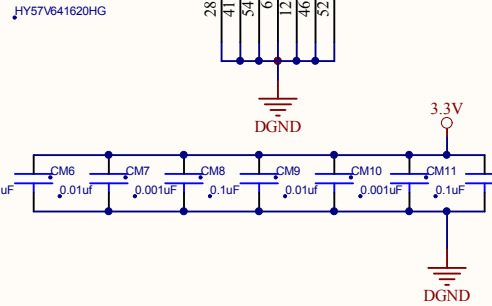
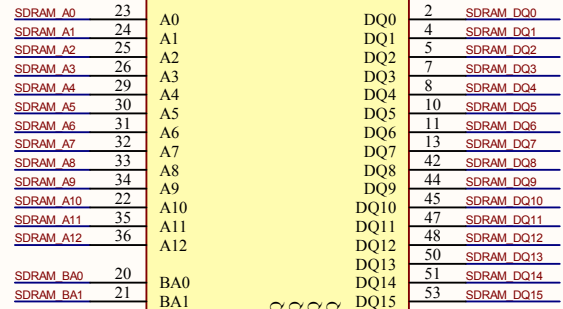
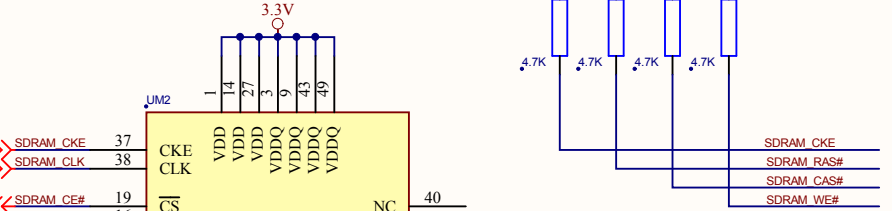
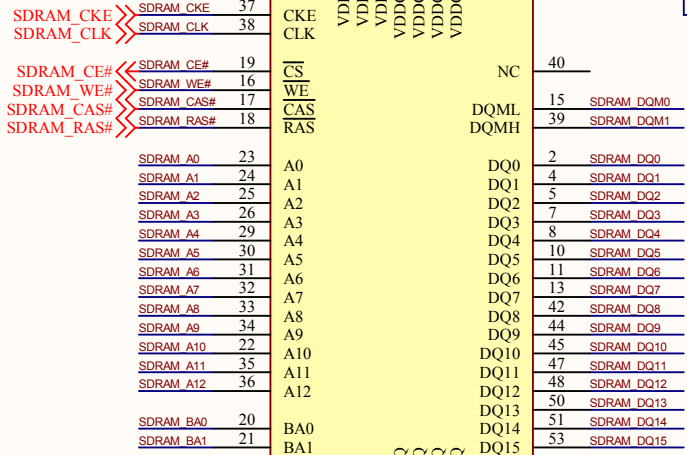
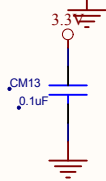
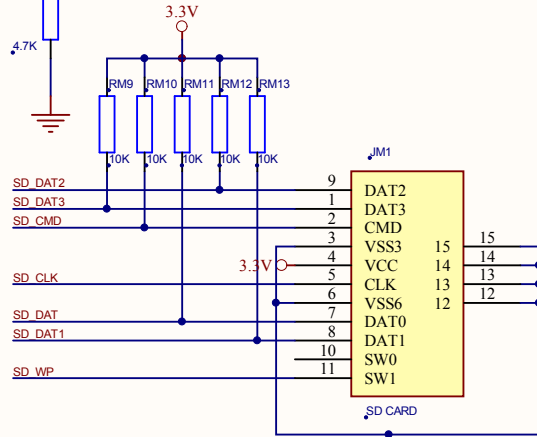
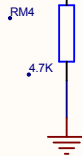
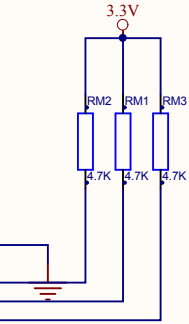
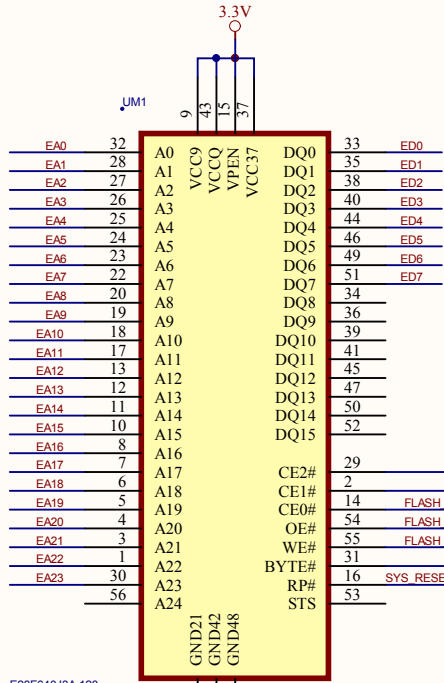
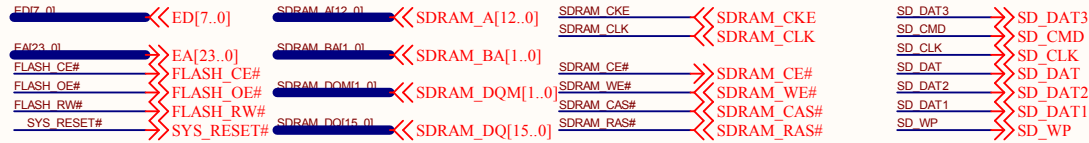
close to fpga pin , no via best



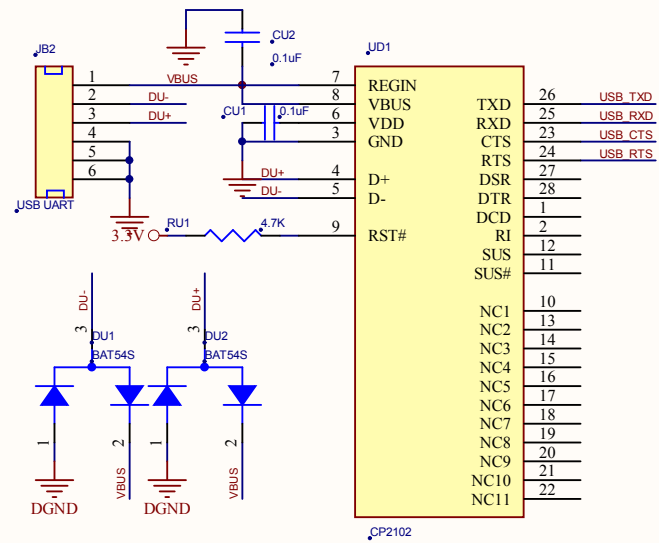
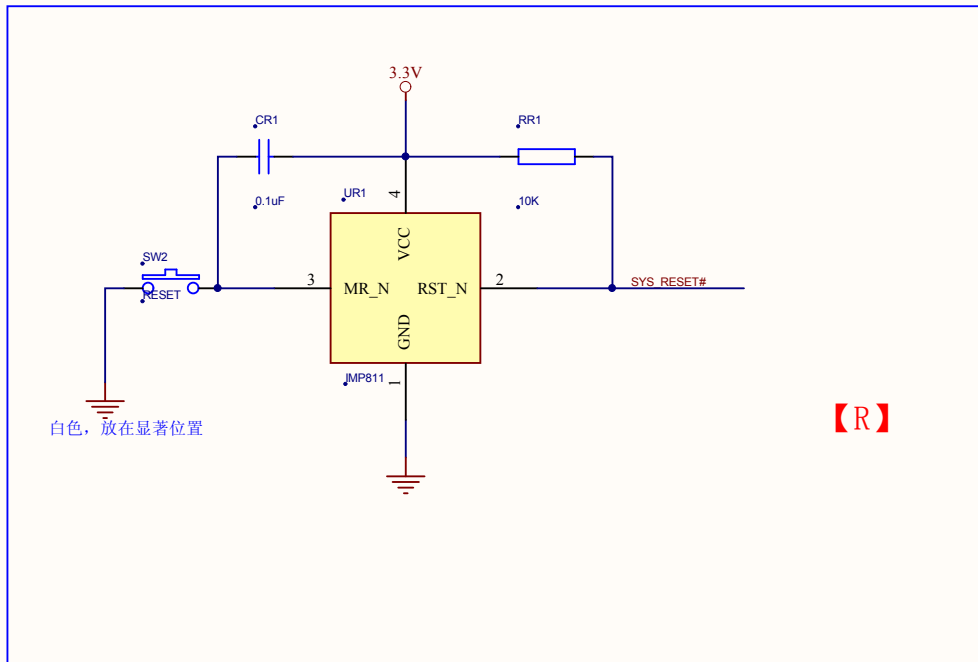
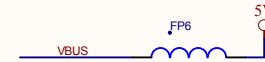
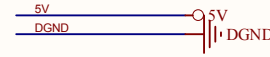
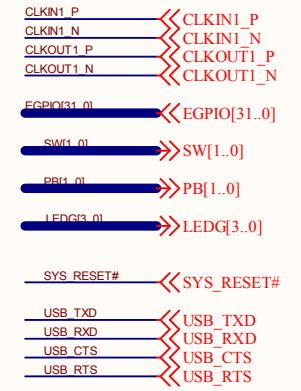
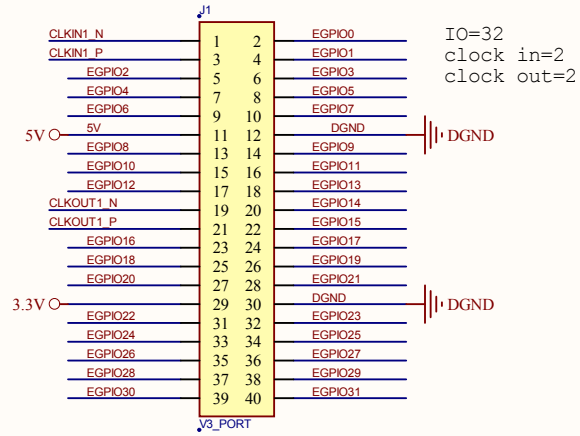
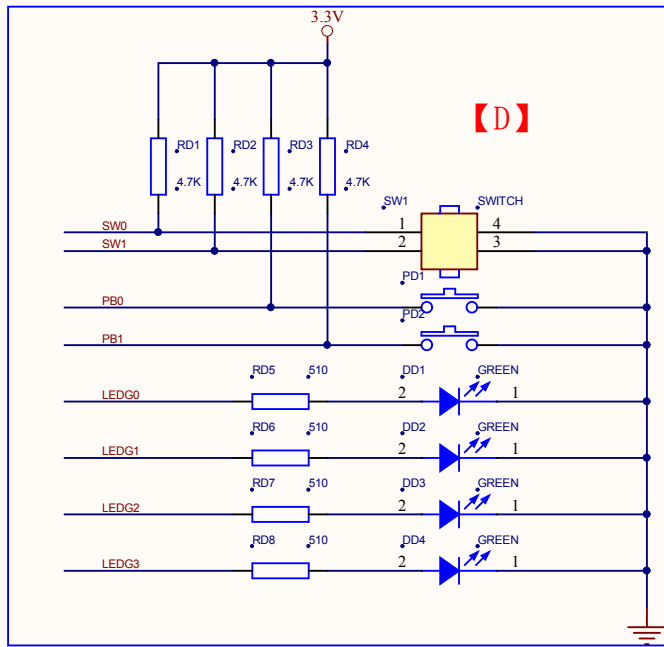
[L]

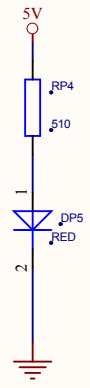
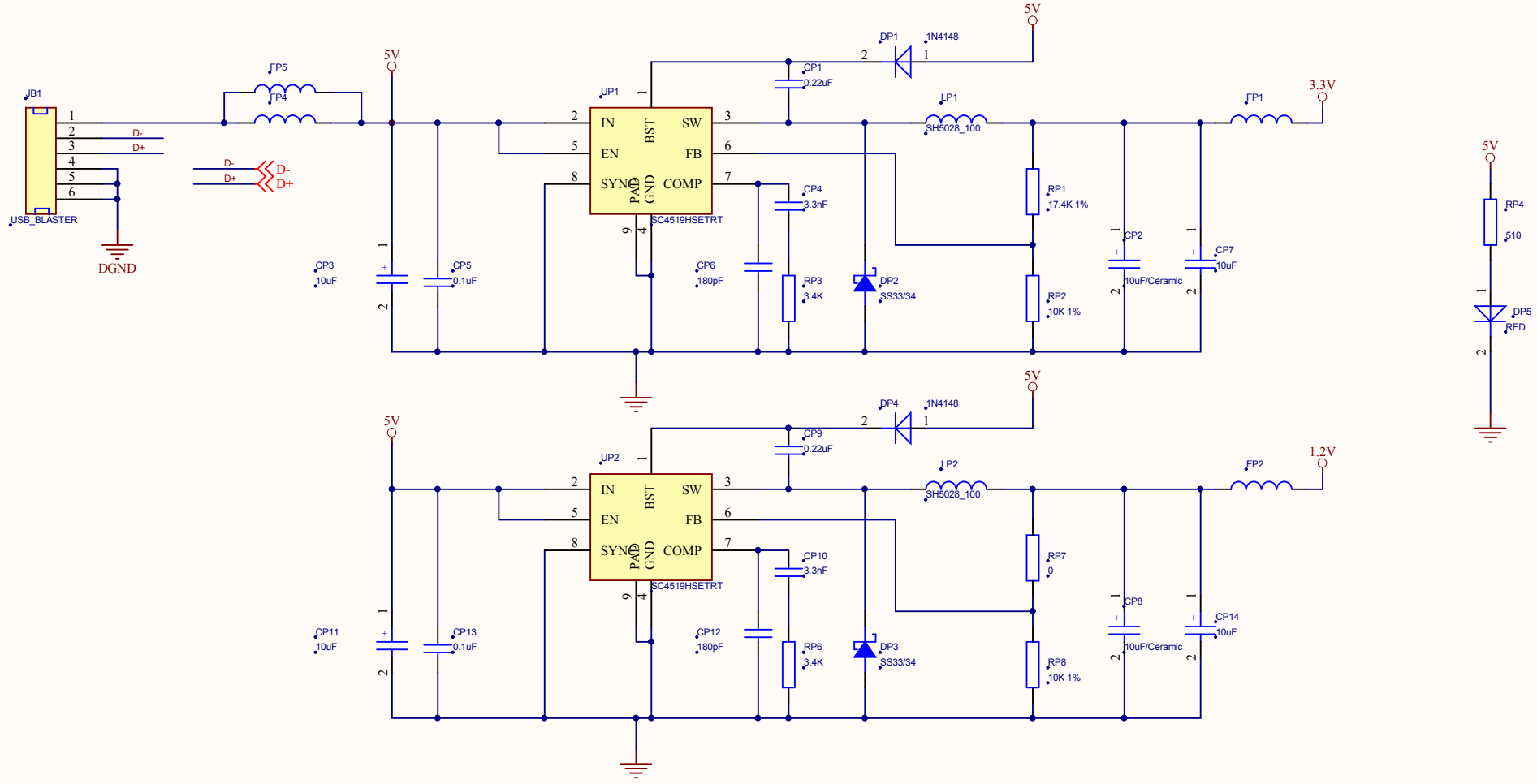


Title			NANOII-EP2C8		
Size	Document Number	Rev			
A	04 FPGA POWER	A			
Date:	Sheet 3 of 9				



Title			NANOII-EP2C8		
Size	Document Number	05 MEMORY			Rev
A					A
Date:		Sheet	2	of	2

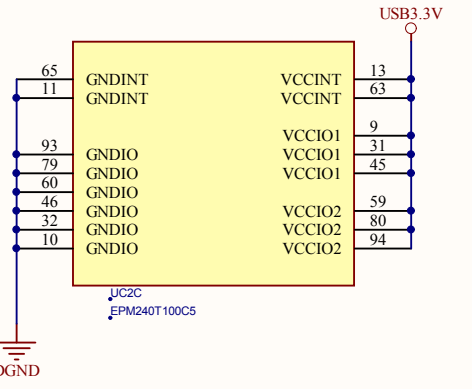
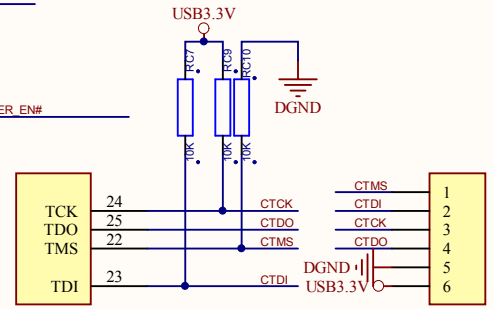
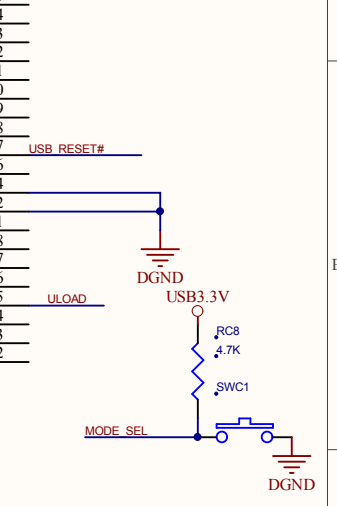
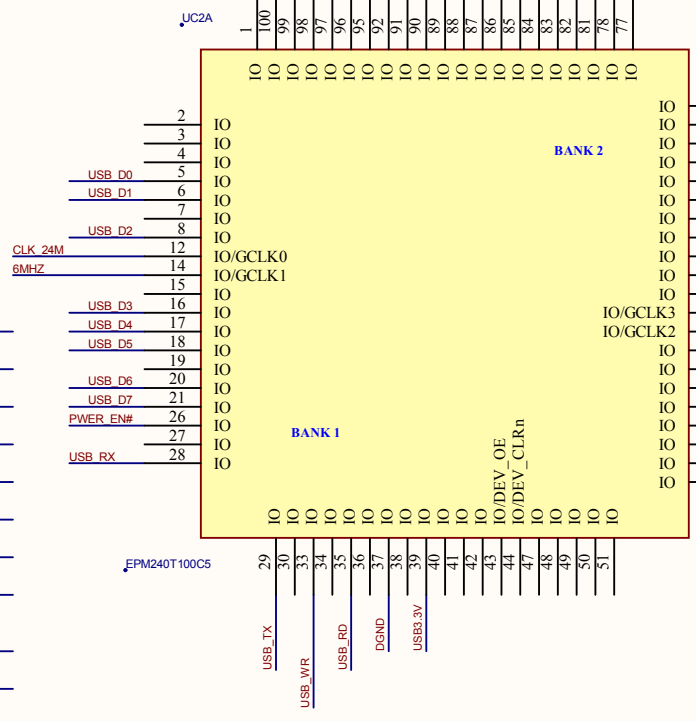
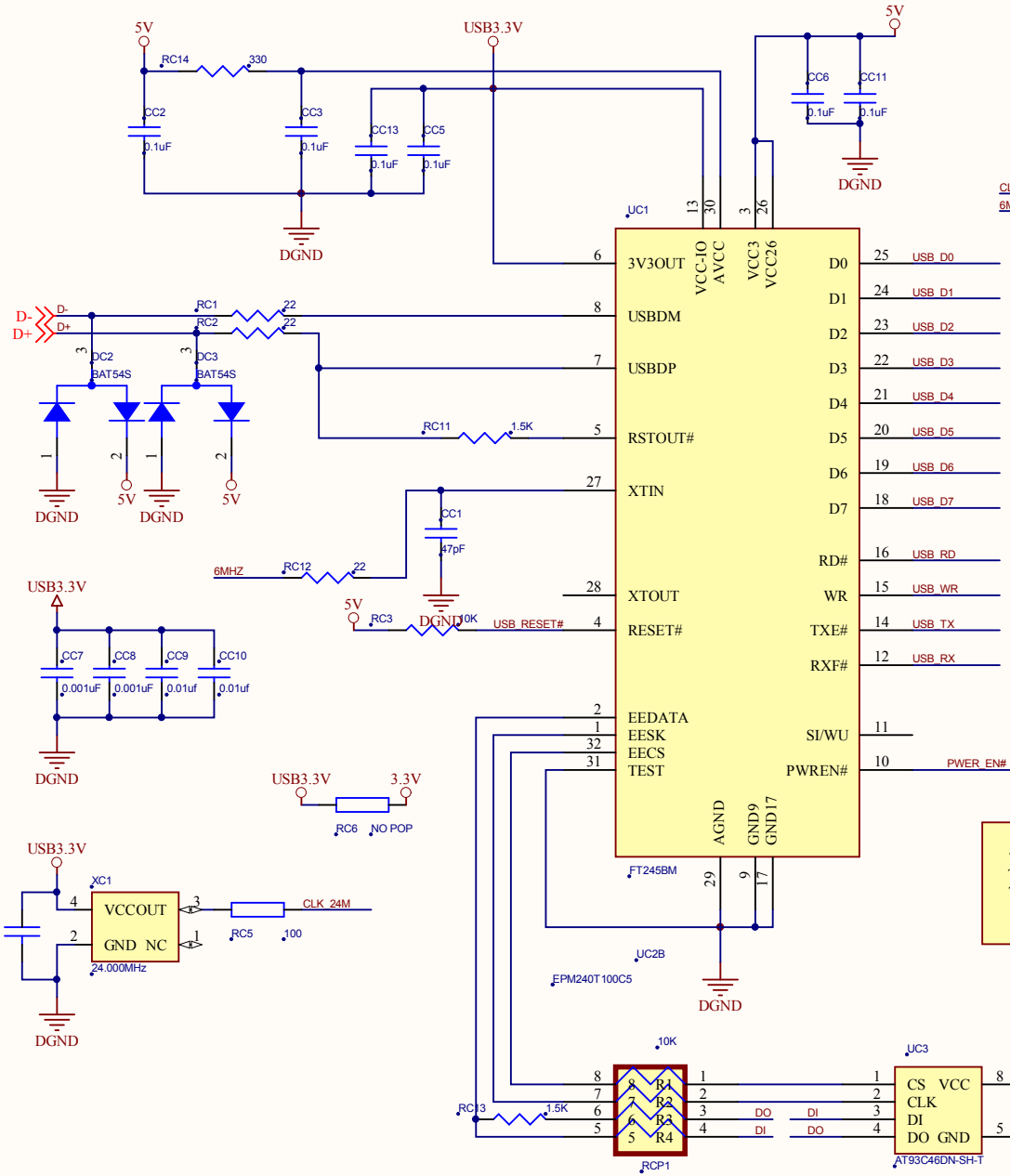
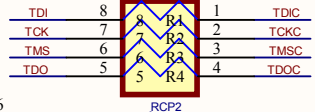
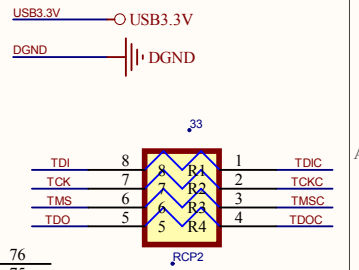
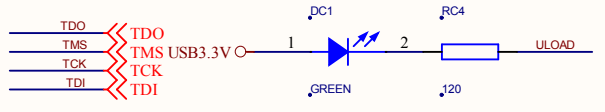




(P)

Title			NANOII-EP2C8		
Size	Document Number	07 POWER		Rev	A
Date:	Sheet		2	of	2

ALT_CF_ASD ALT_CF_ASD
 ALT_CF_nCS ALT_CF_nCS
 ALT_CF_nCE ALT_CF_nCE
 ALT_CF_DATA0 ALT_CF_DATA0
 ALT_CF_DCLK ALT_CF_DCLK
 ALT_CF_nCONF ALT_CF_nCONF
 ALT_CF_nCE ALT_CF_nCE
 ALT_CF_nCONF ALT_CF_nCONF



Title			NANOII-EP2C8		
Size	Document Number	06 USB BLASTER			Rev
A					A
Date:		Sheet	2	of	2