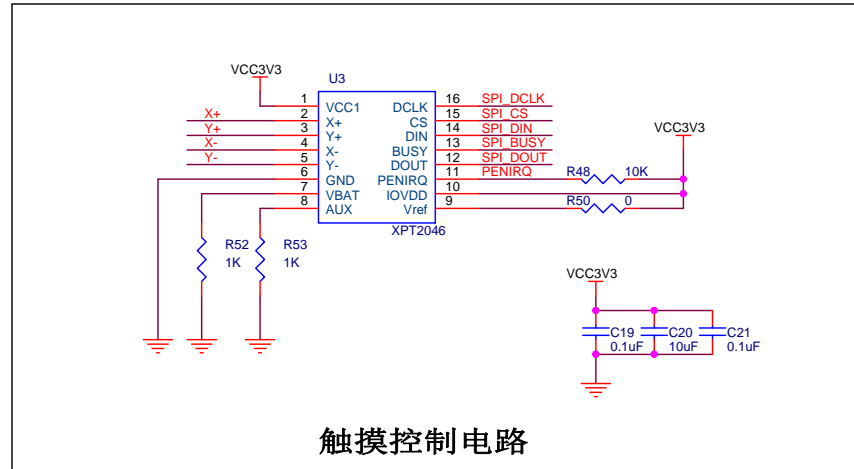
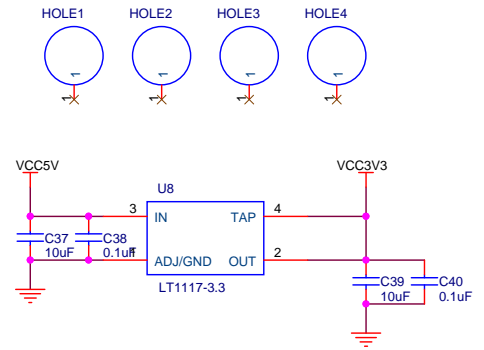
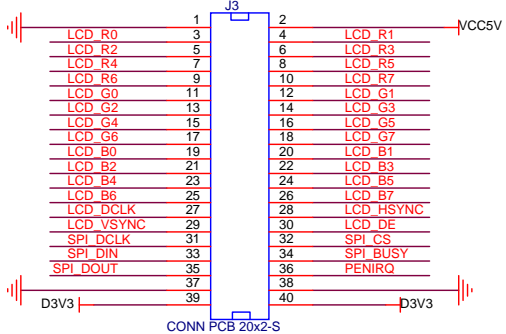


LCD Connector
TM043NBH02

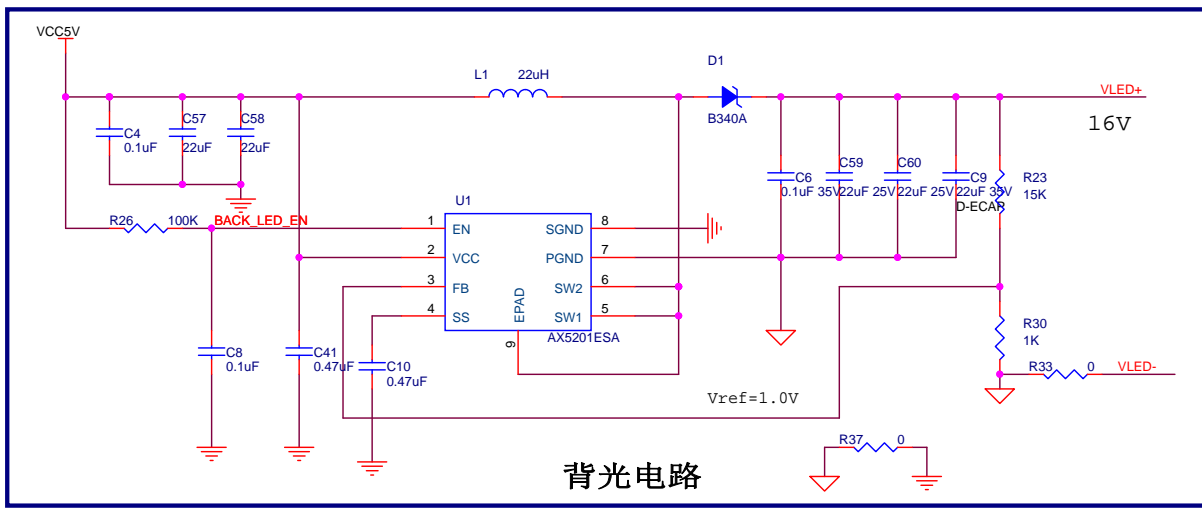
FPC 4.3寸LCD连接器



触摸控制电路



PCB连接器



背光电路

Title		
SigaDSP LCD board		
Size	Document Number	Rev
B	<Doc>	<RevCode>
Date:	Monday, March 09, 2015	Sheet 1 of 1