

Directory

1.STRUCTURE

2.HISTORY

3.OMAP3517_I

4.OMAP3517_II

5.OMAP3517_III

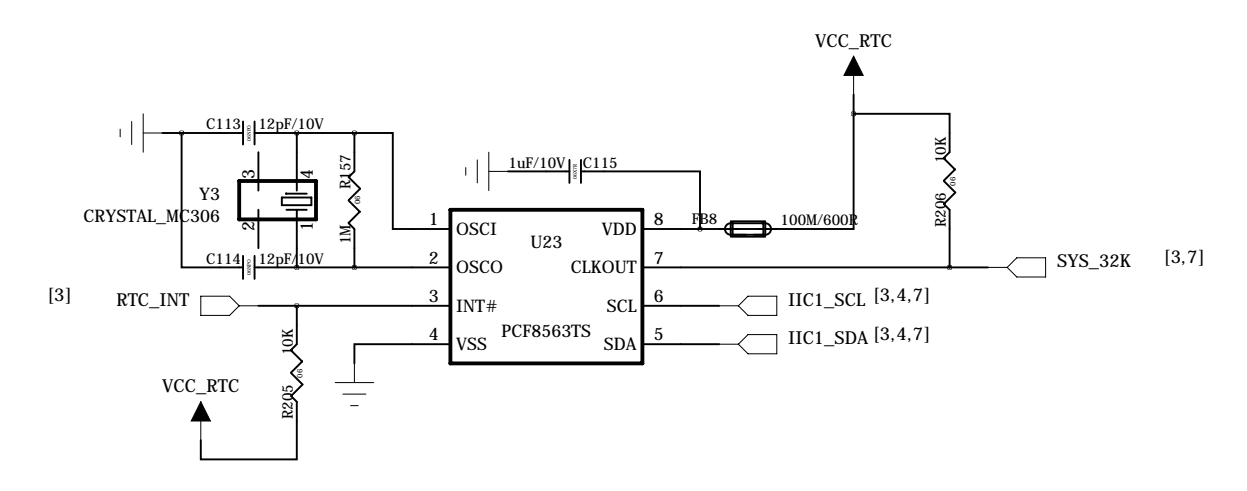
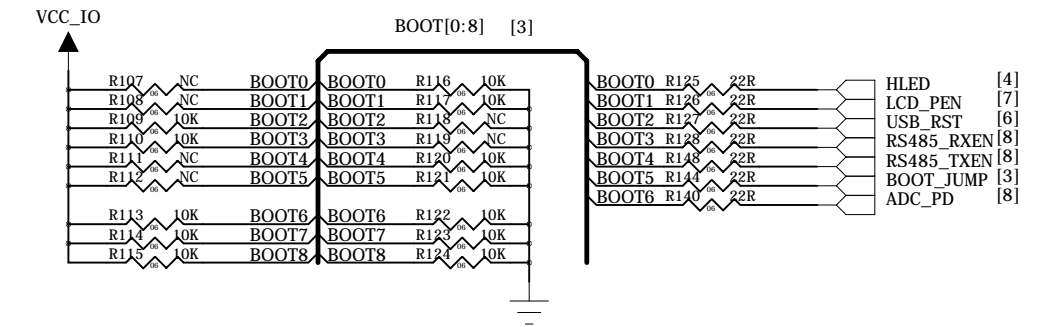
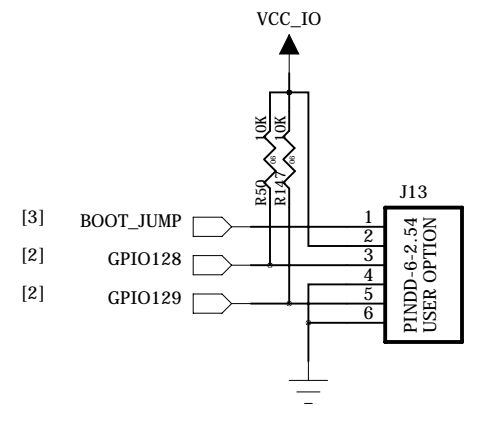
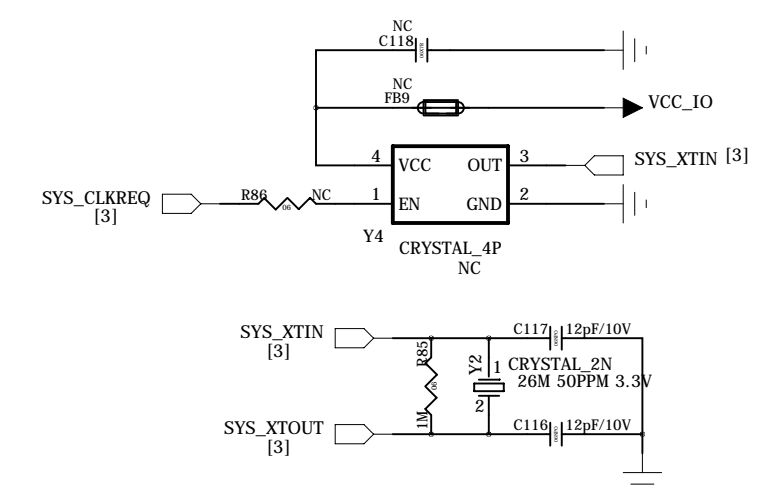
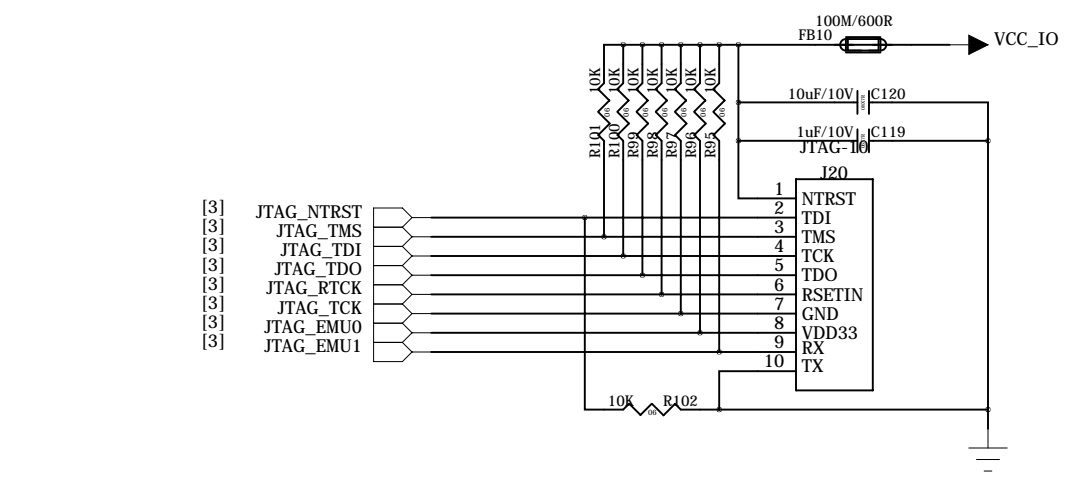
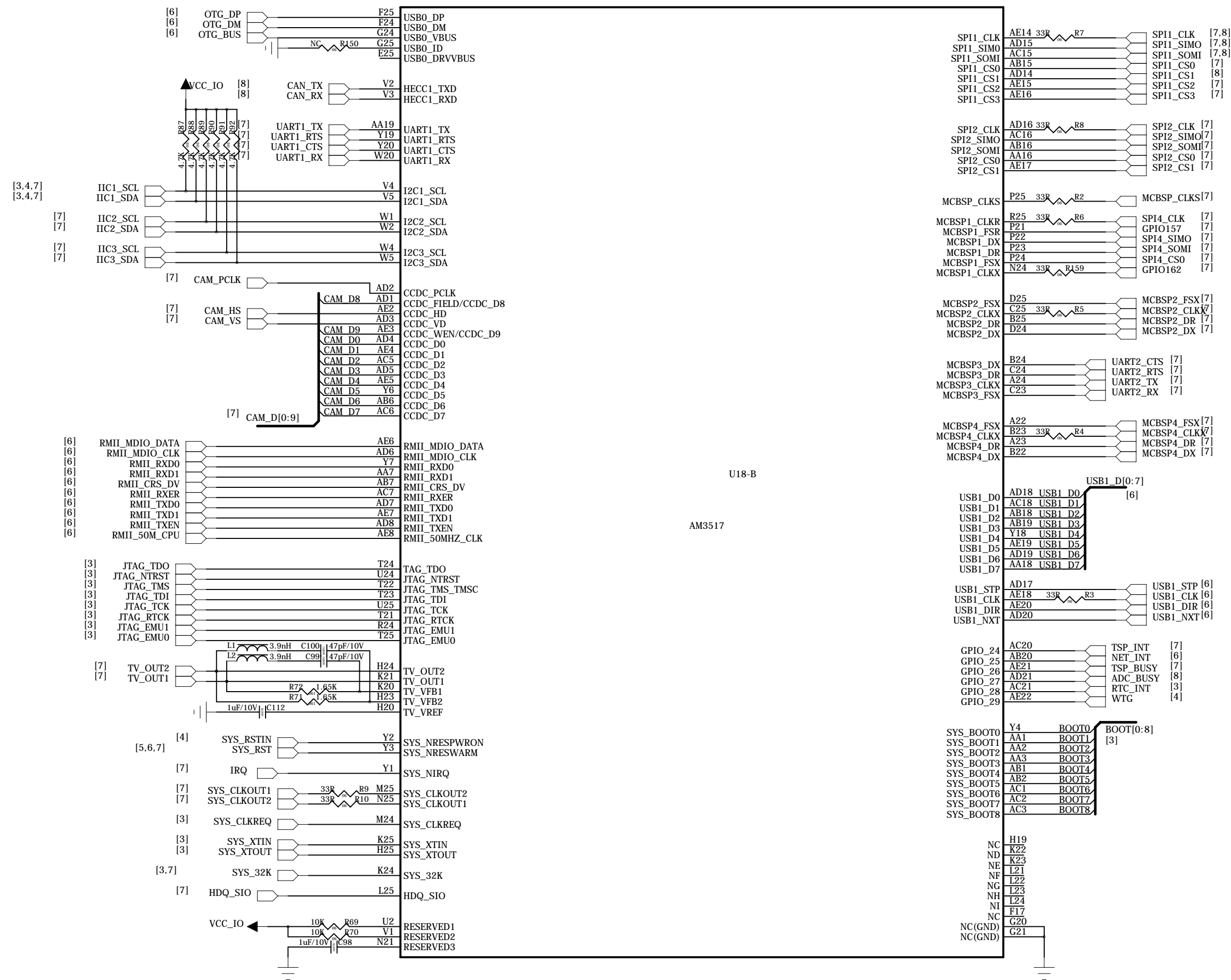
6.MEM

7.USB-NET

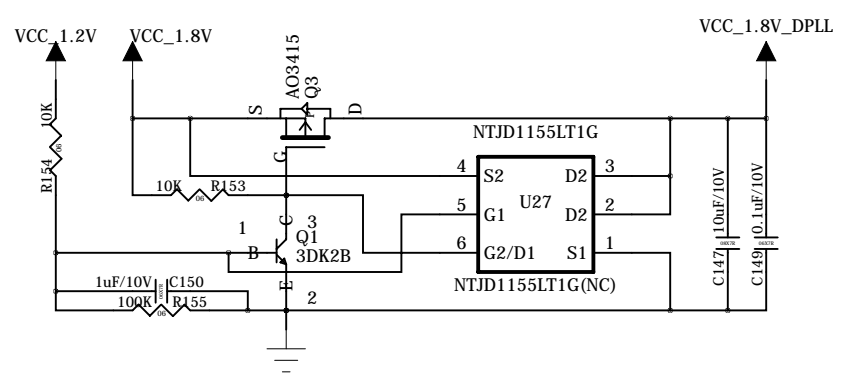
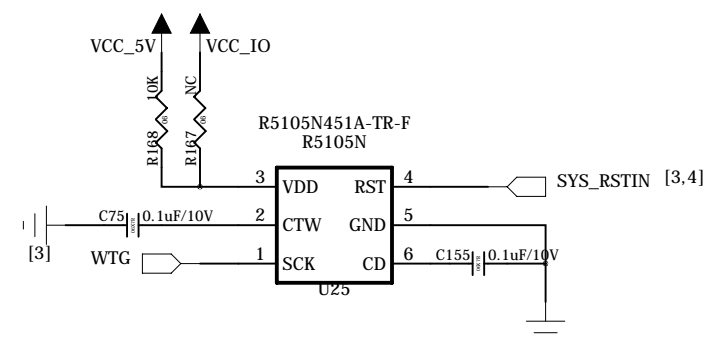
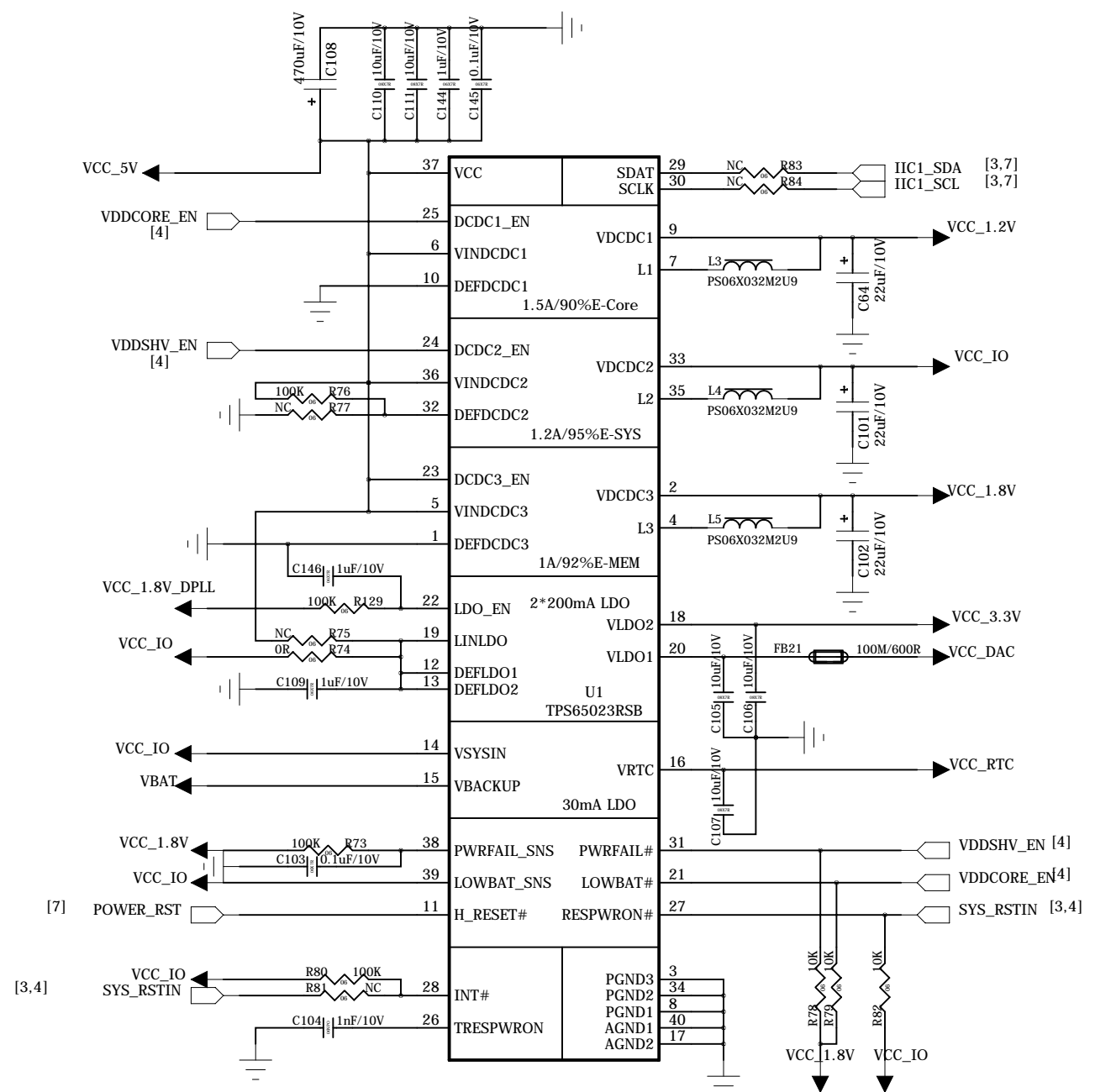
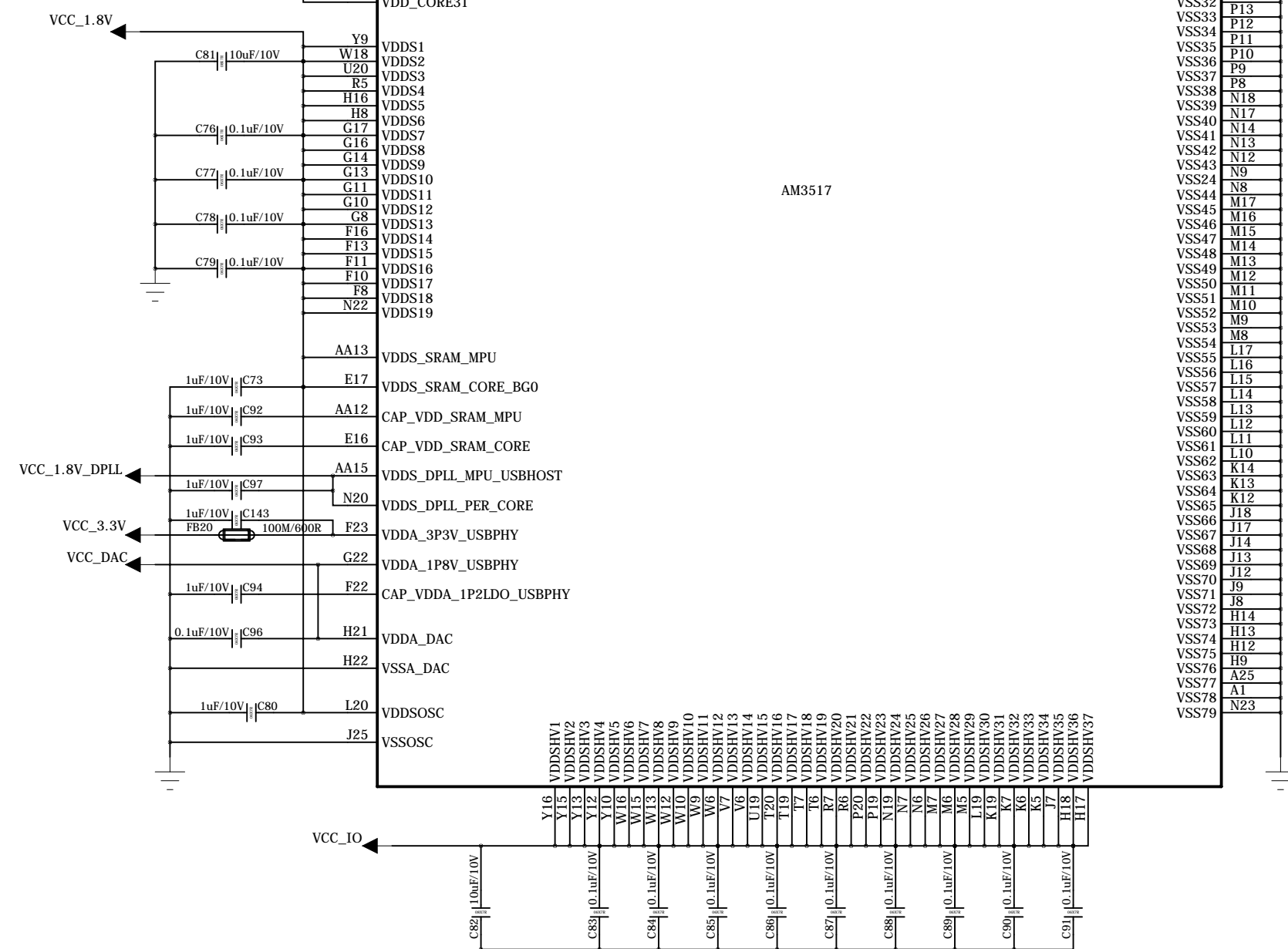
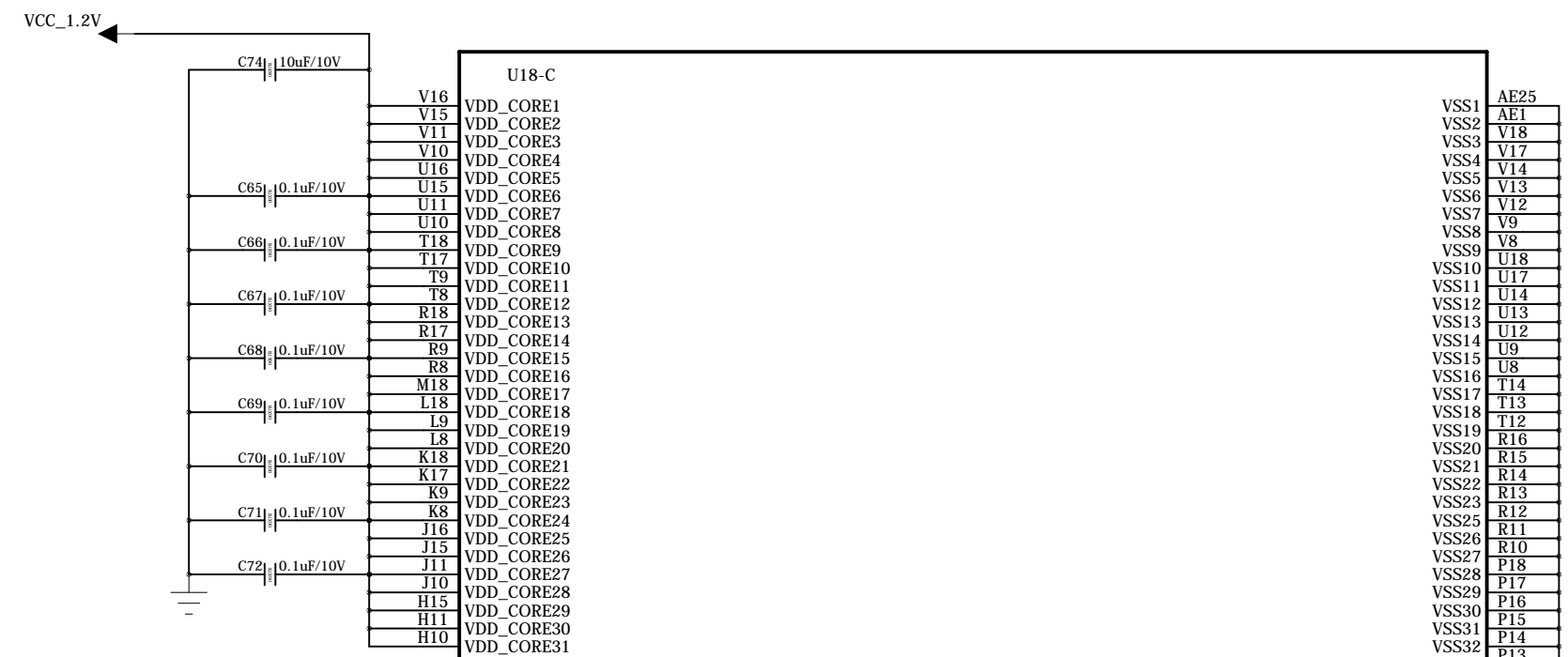
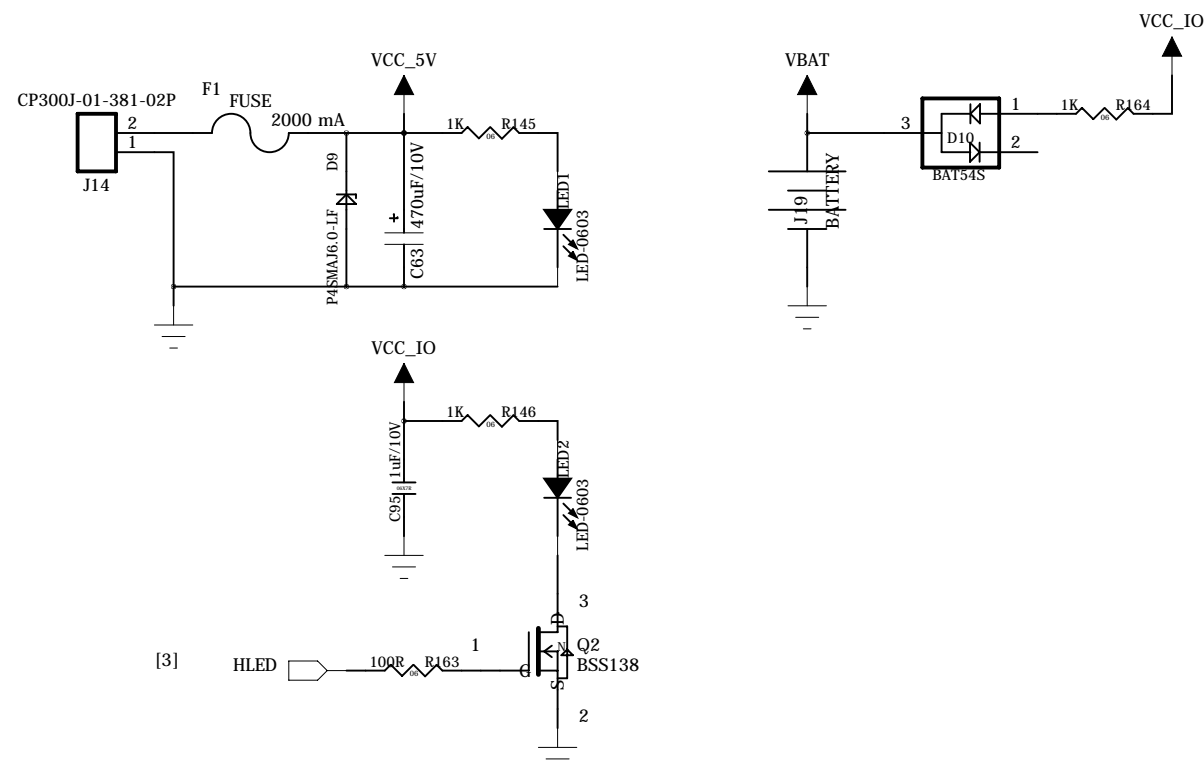
8.PC104

9.CONNECTOR

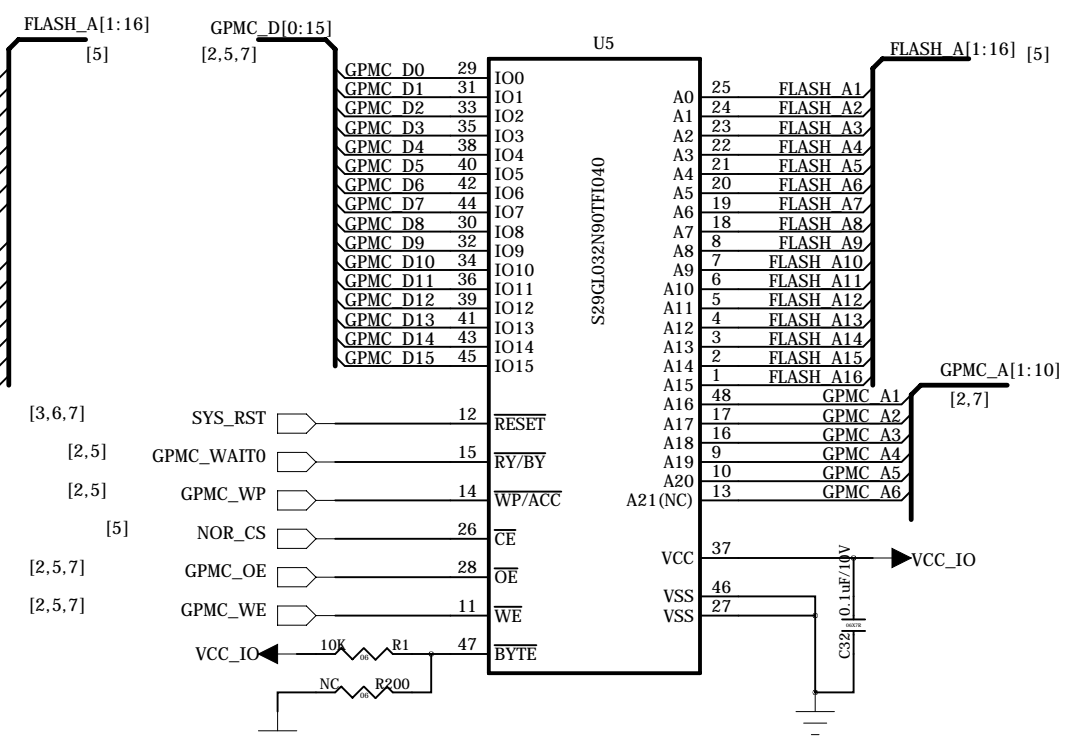
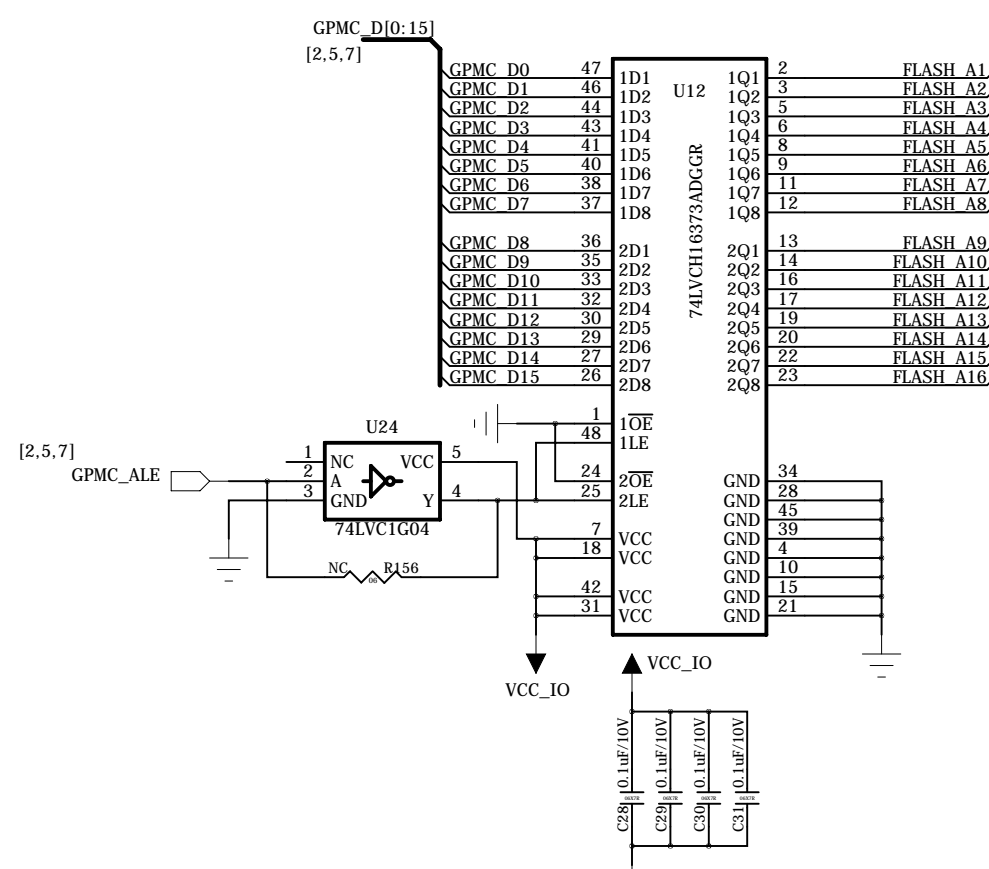
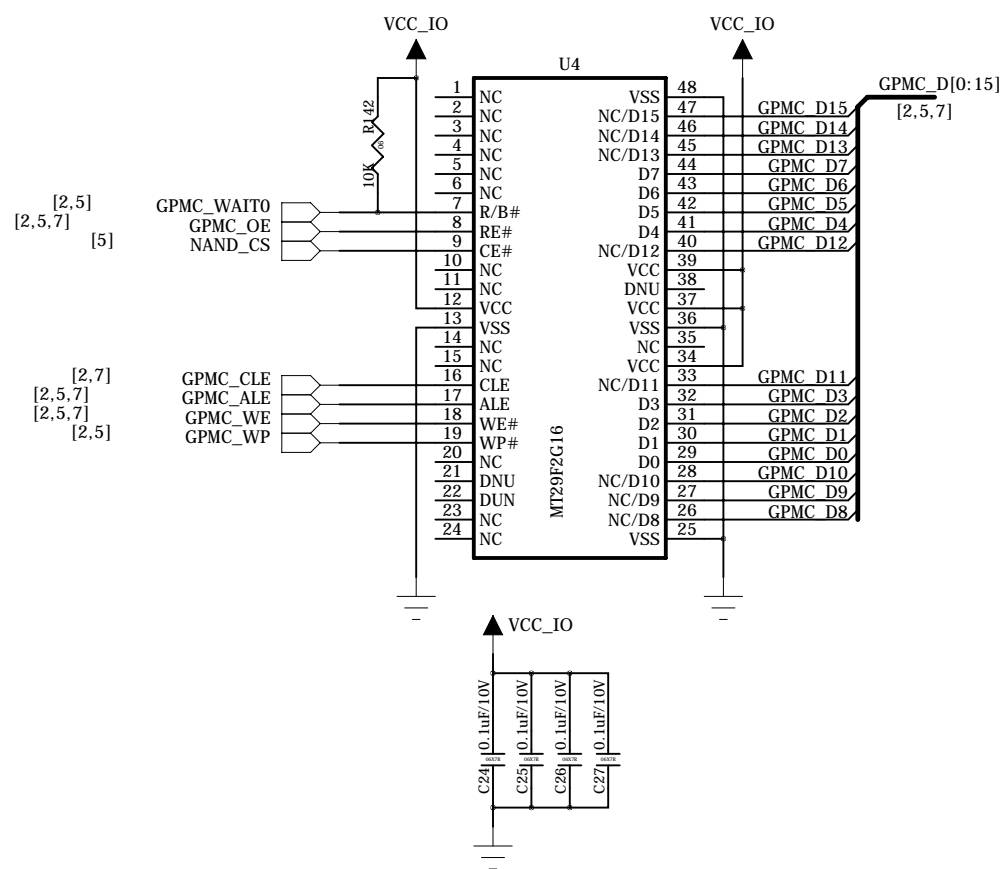
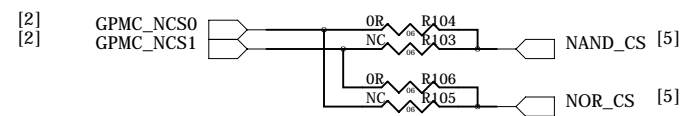
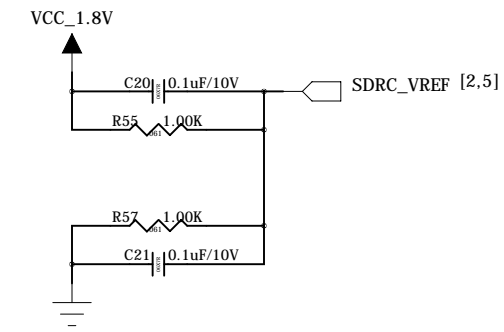
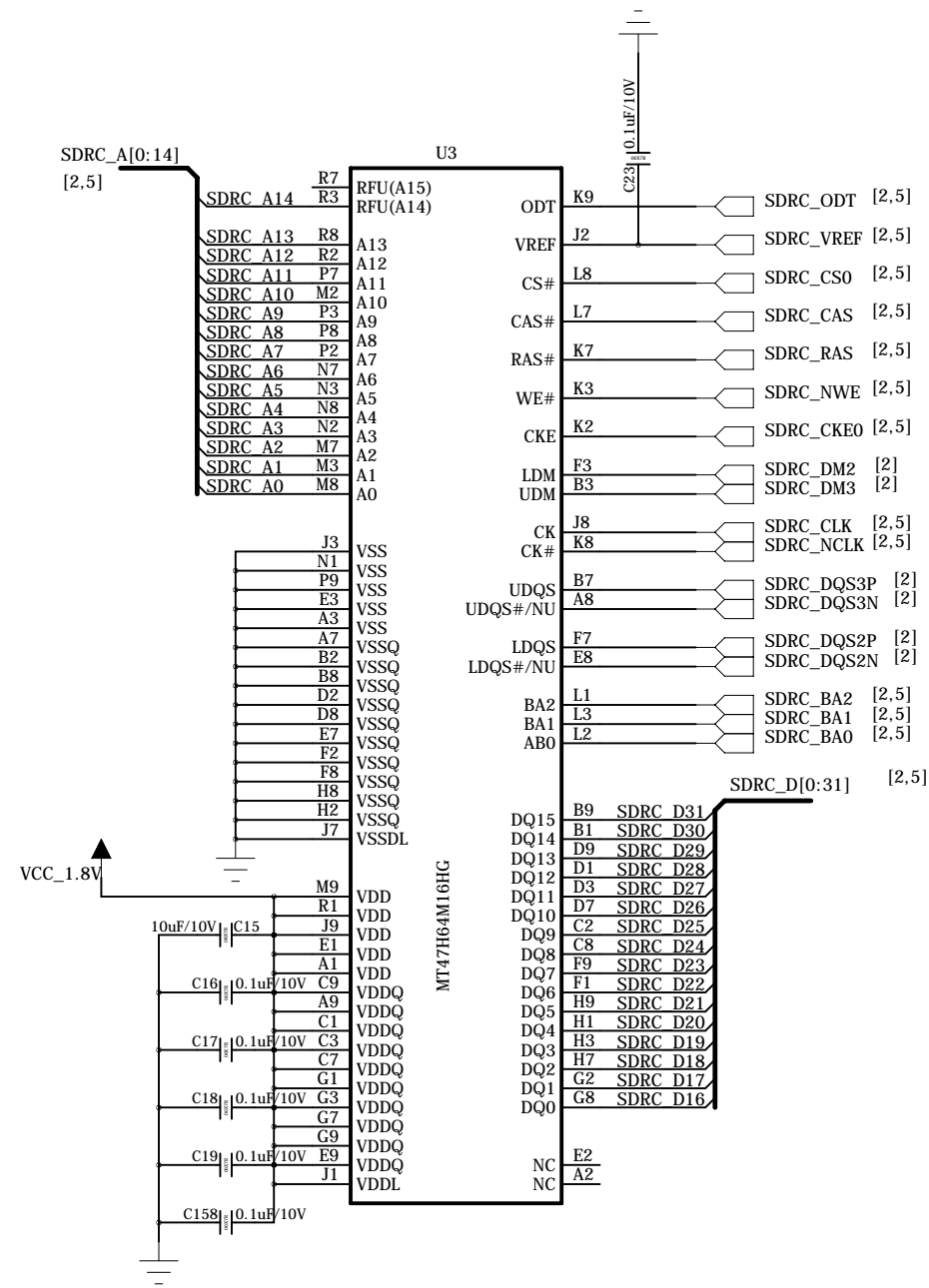
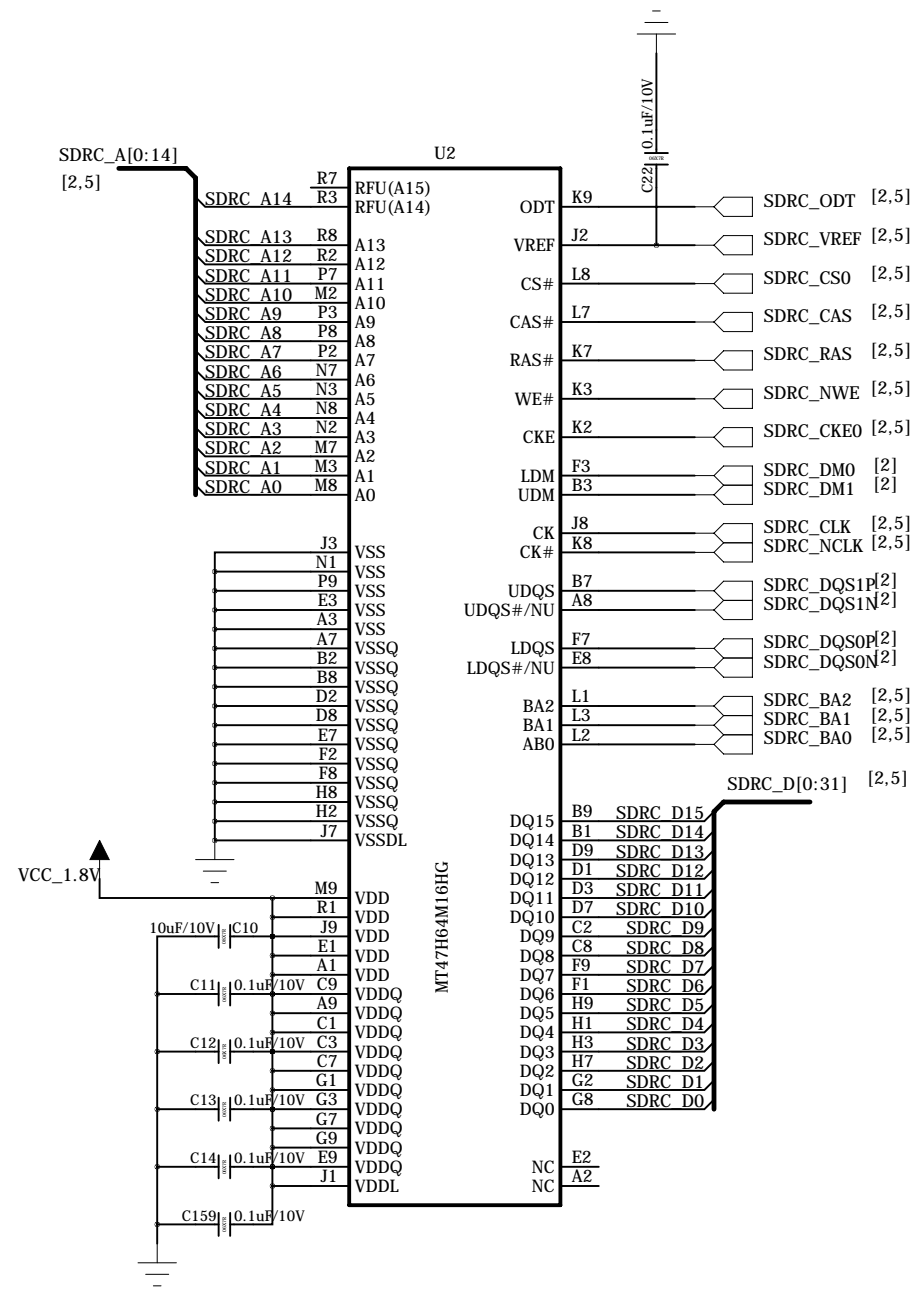
| | | |
|-------------------------------------|--------------------|--------------------|
| COMPANY: Embest info%Tech Co. LTD | | |
| P/N <CODE> | | |
| TITLE Embest_TL_OMAP_SOC8200_100324 | | |
| Design by: huangzhp | Check by: huangzhp | Approved by: zhudp |
| DATED: 2010/03/25 | DATED: 2010/04/03 | DATED: 2010/04/03 |
| SCALE: N/A | SIZE: B | SHEET: 1 OF 8 |



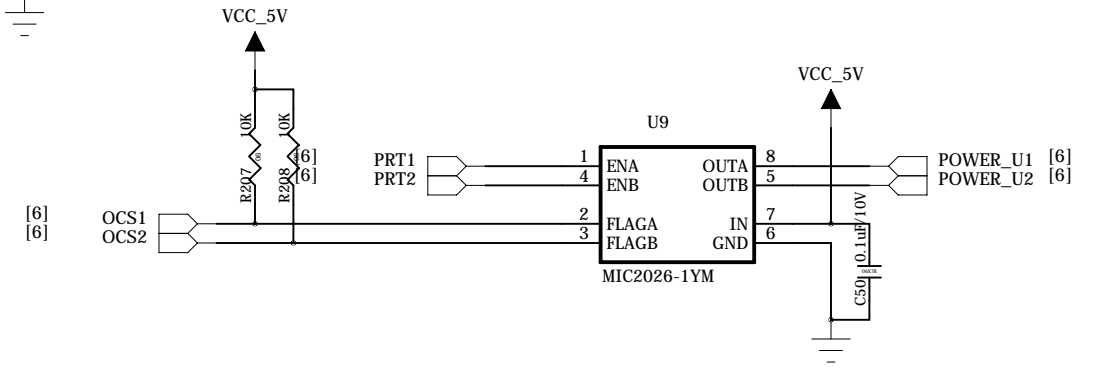
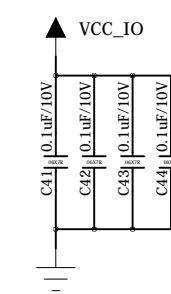
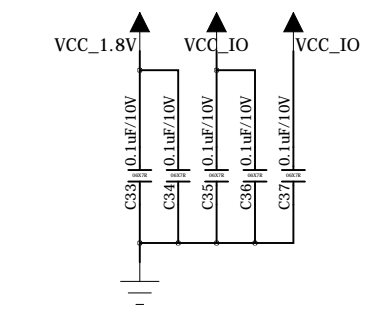
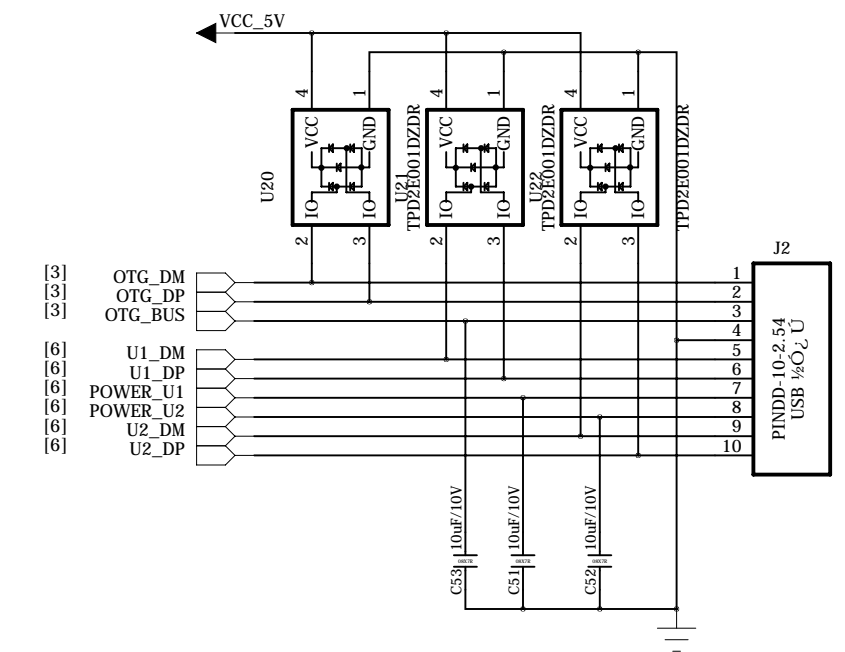
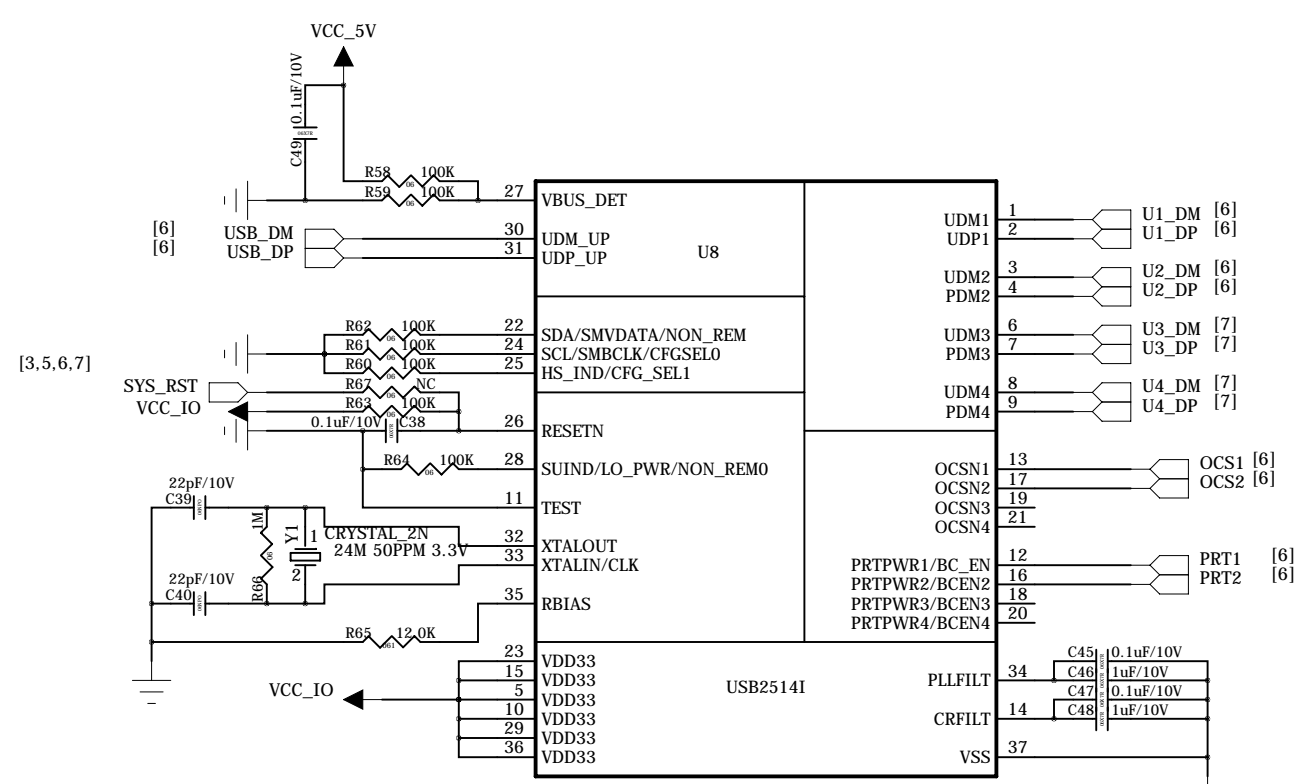
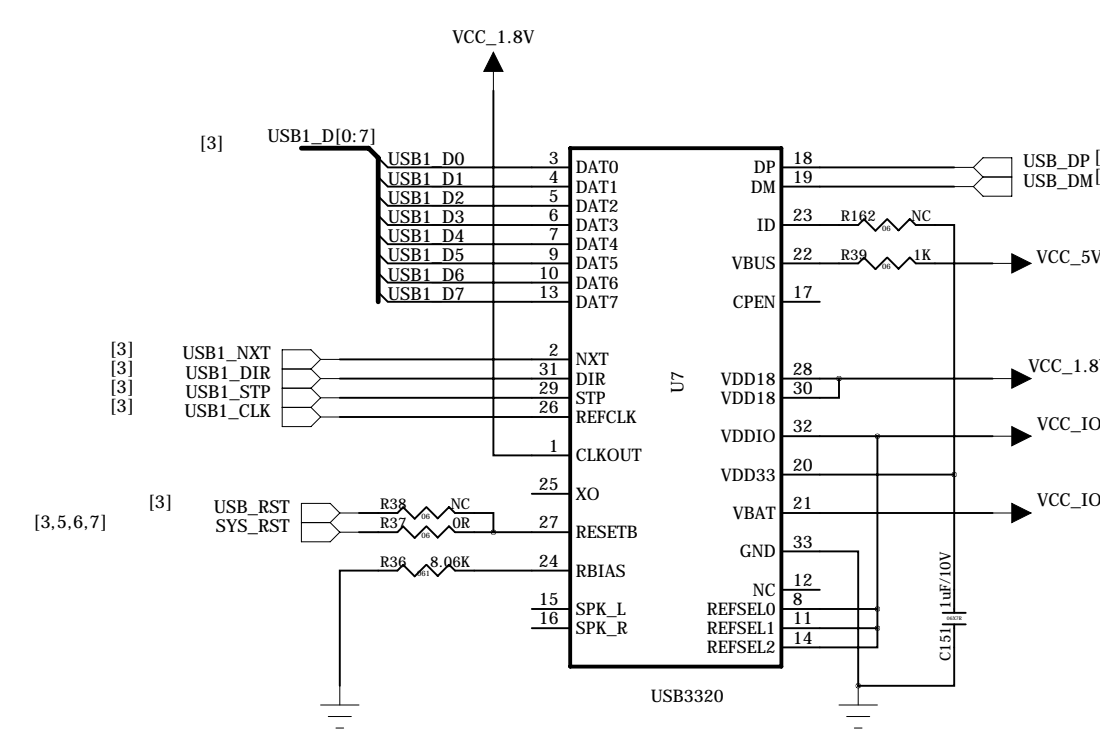
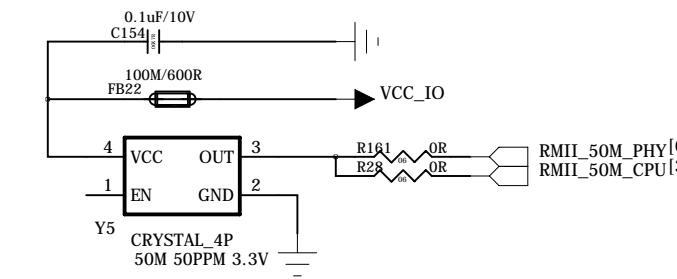
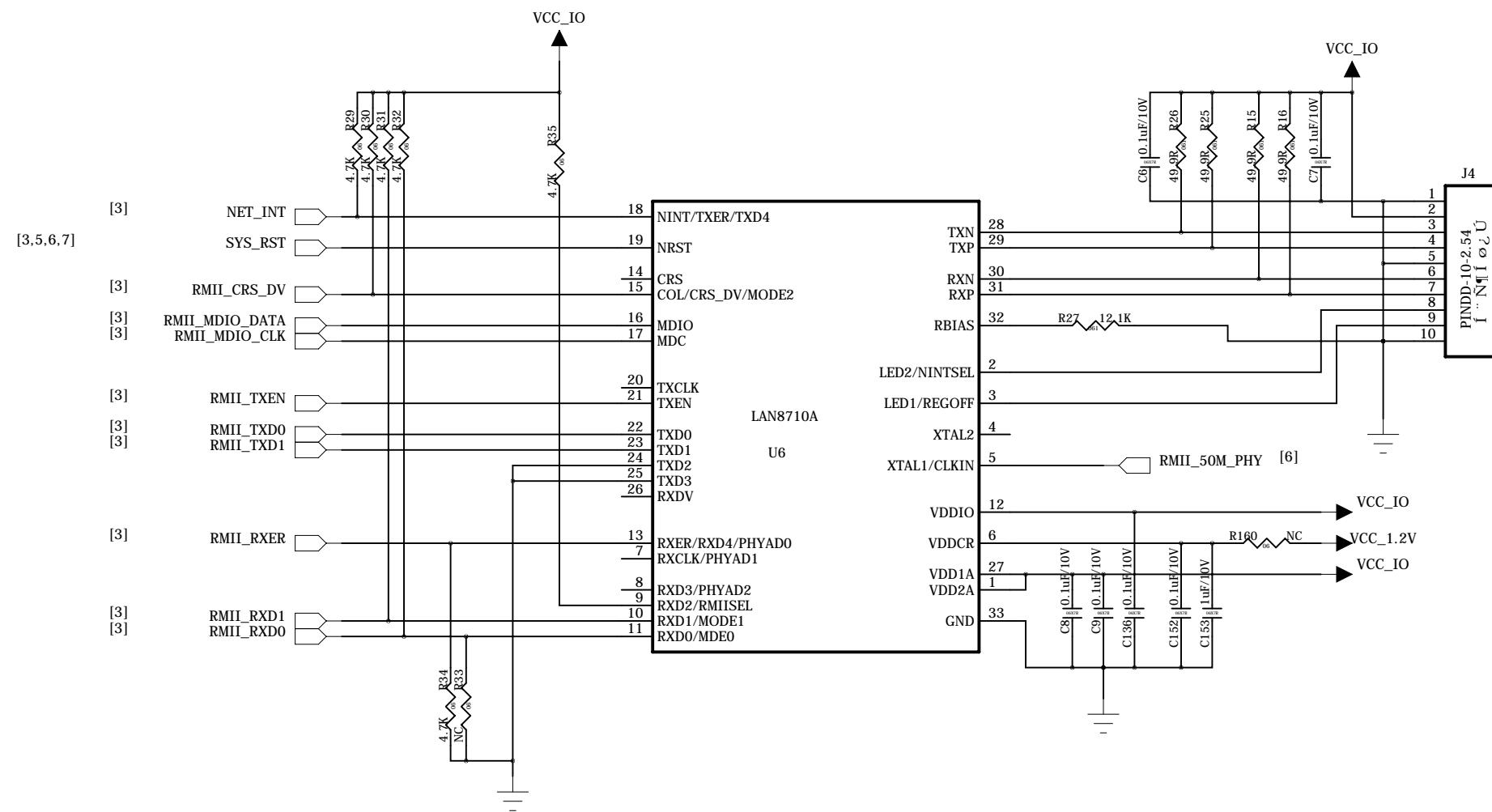
| | | |
|-------------------------------------|--------------------|--------------------|
| COMPANY: Embest info%Tech Co. LTD | | |
| P/N <CODE> | | |
| TITLE Embest_TI_OMAP_SOC8200_100324 | | |
| Design by: huangzhp | Check by: huangzhp | Approved by: zhudp |
| DATED: 2010/03/25 | DATED: 2010/04/03 | DATED: 2010/04/03 |
| SCALE: N/A | SIZE: B | SHEET: 1 OF 8 |



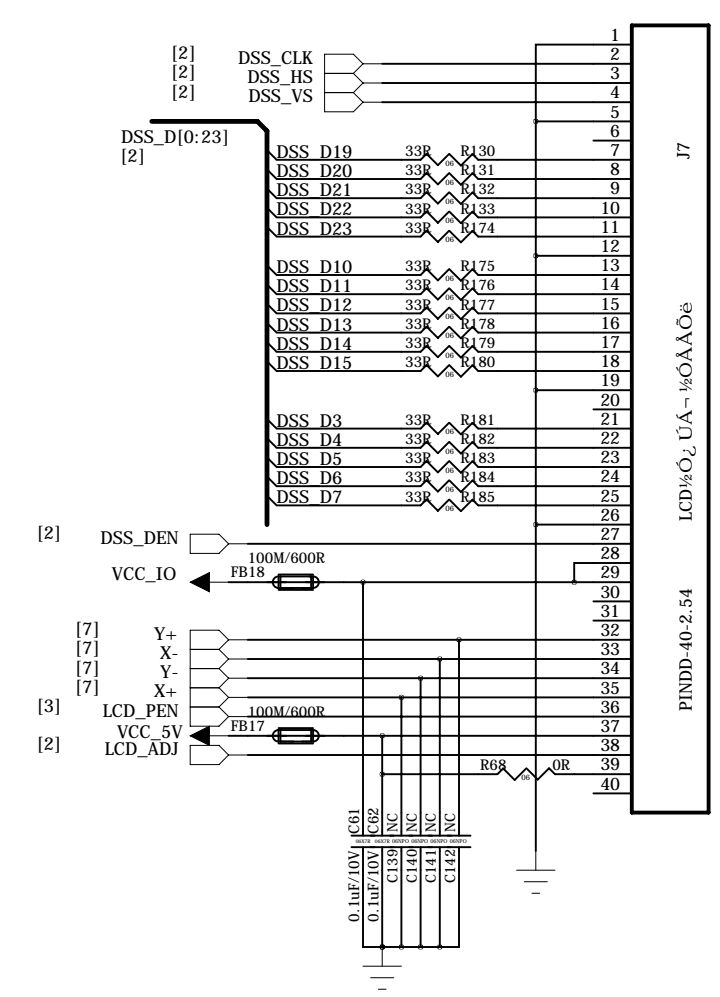
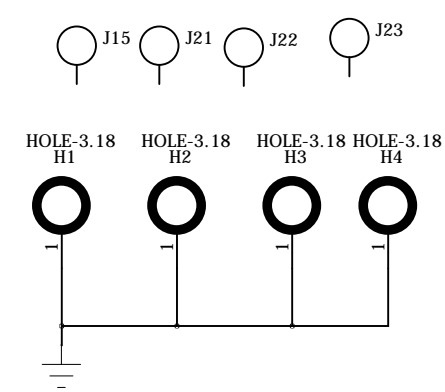
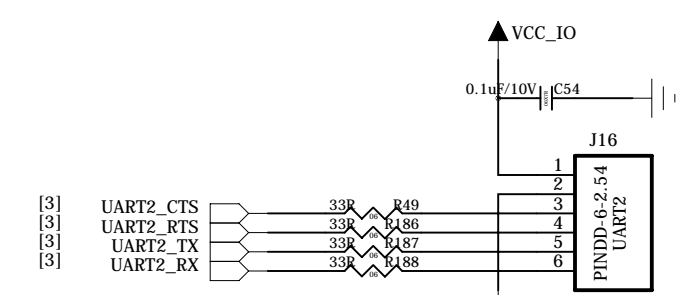
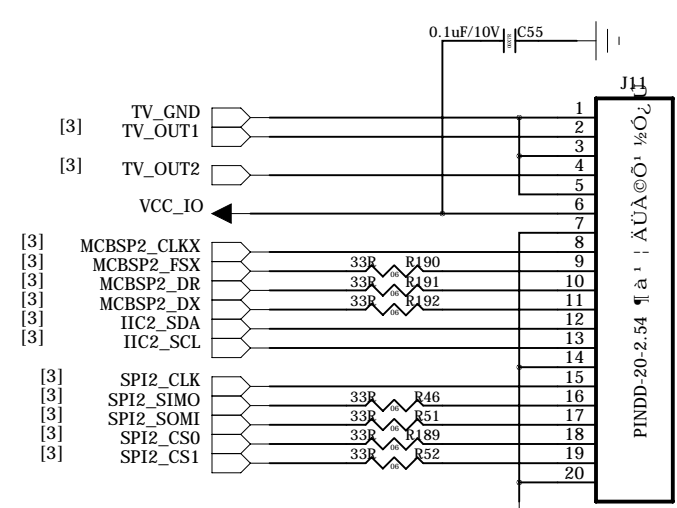
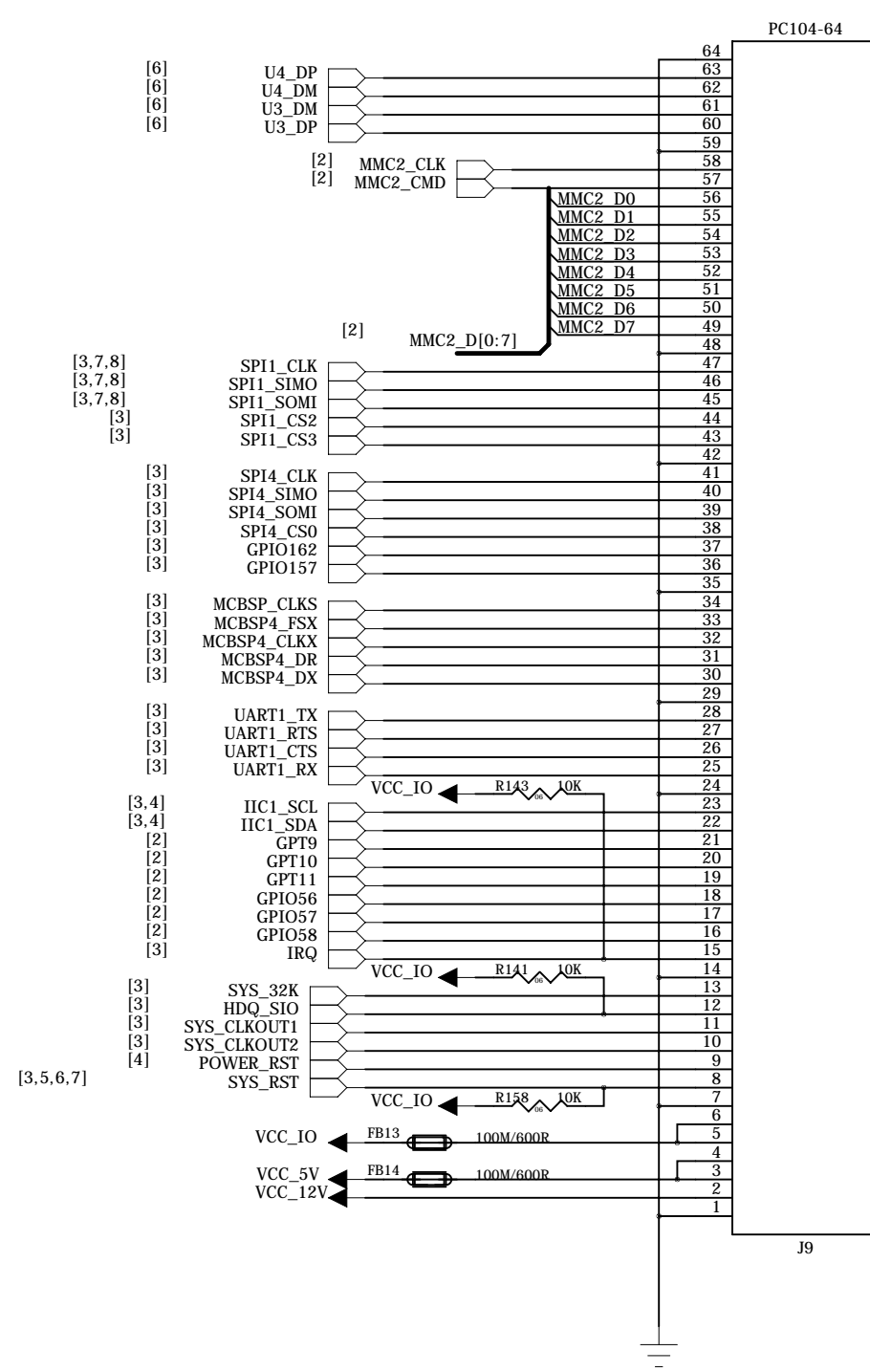
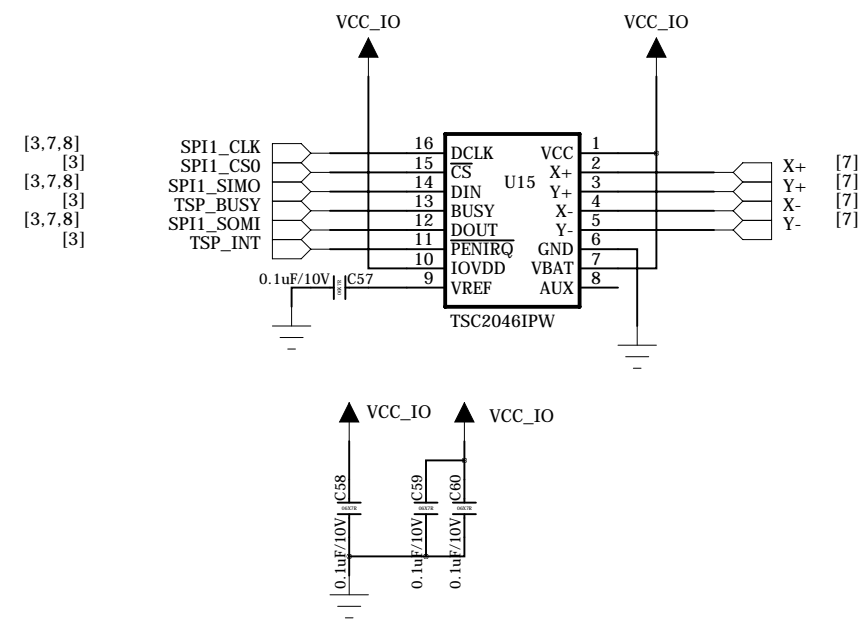
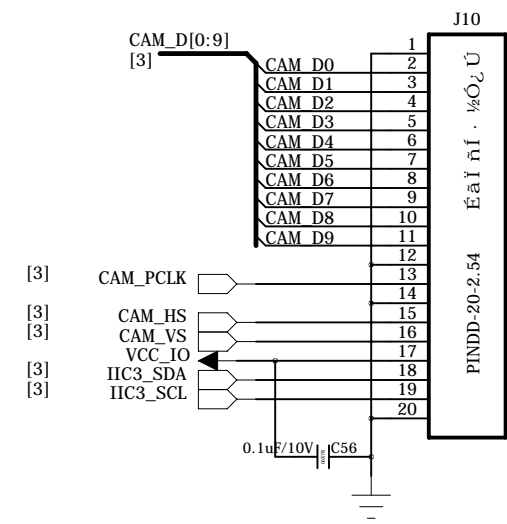
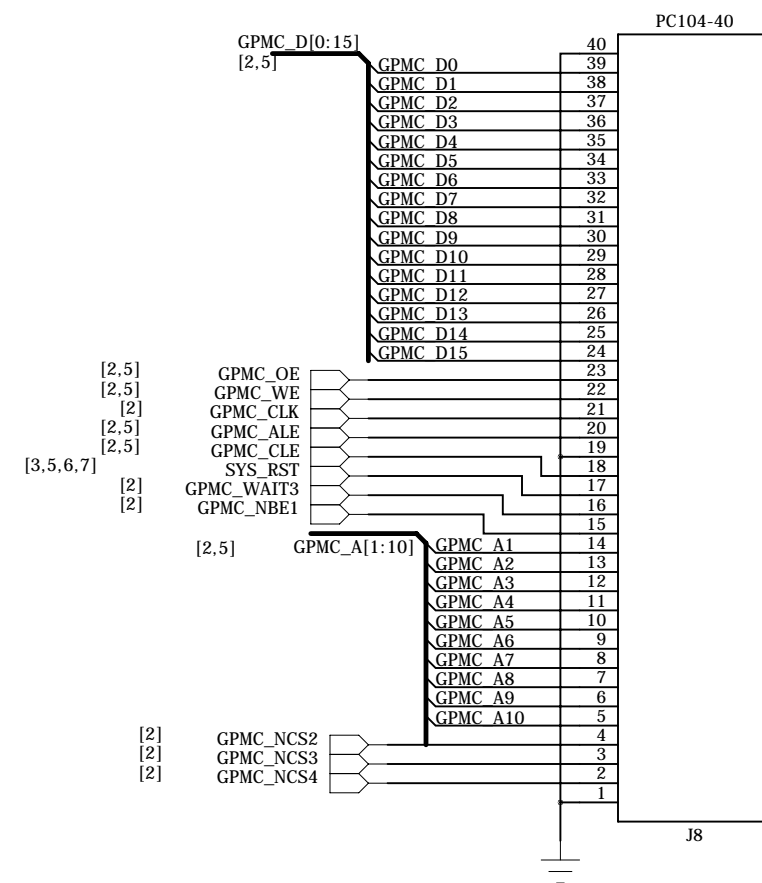
| | | |
|--------------|-------------------------------|--------------------|
| COMPANY: | Embest info%Tech Co. LTD | |
| P/N | <CODE> | |
| TITLE | Embest_TI_OMAP_SOC8200_100324 | |
| Design by: | huangzhp | Check by: huangzhp |
| Approved by: | zhudp | |
| DATED: | 2010/03/25 | DATED: 2010/04/03 |
| DATED: | 2010/04/03 | |
| SCALE: | N/A | SIZE: B |
| SHEET: | 1 OF 8 | |



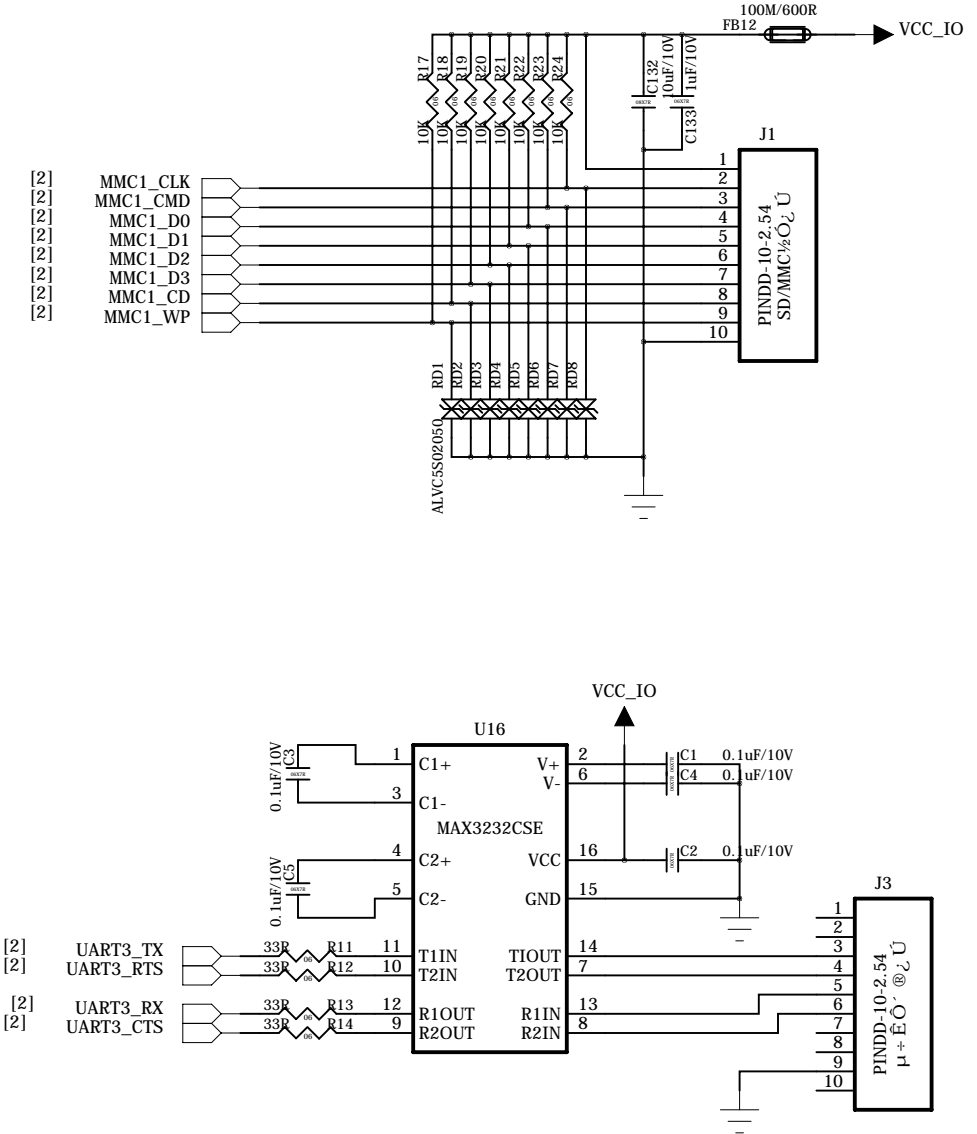
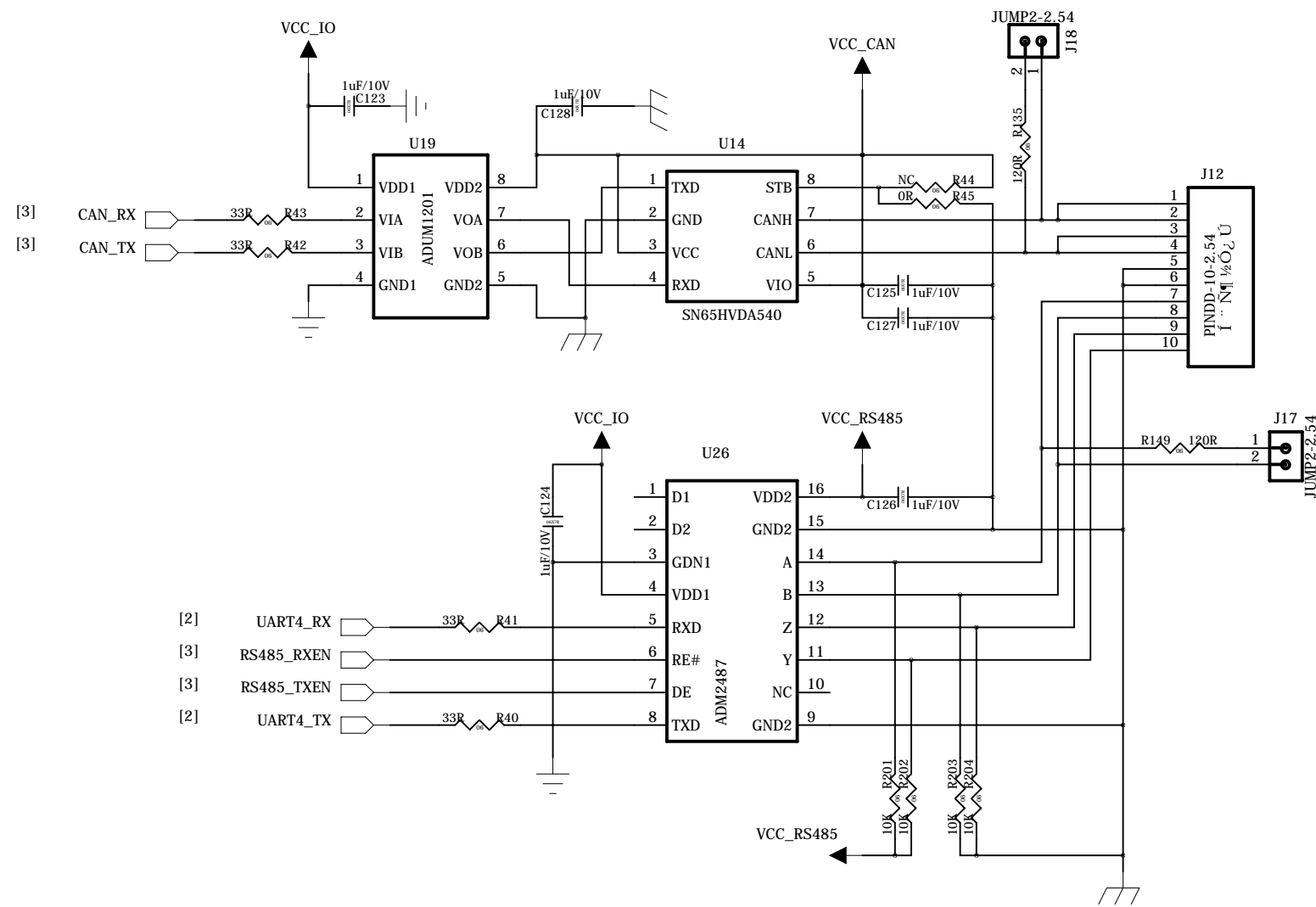
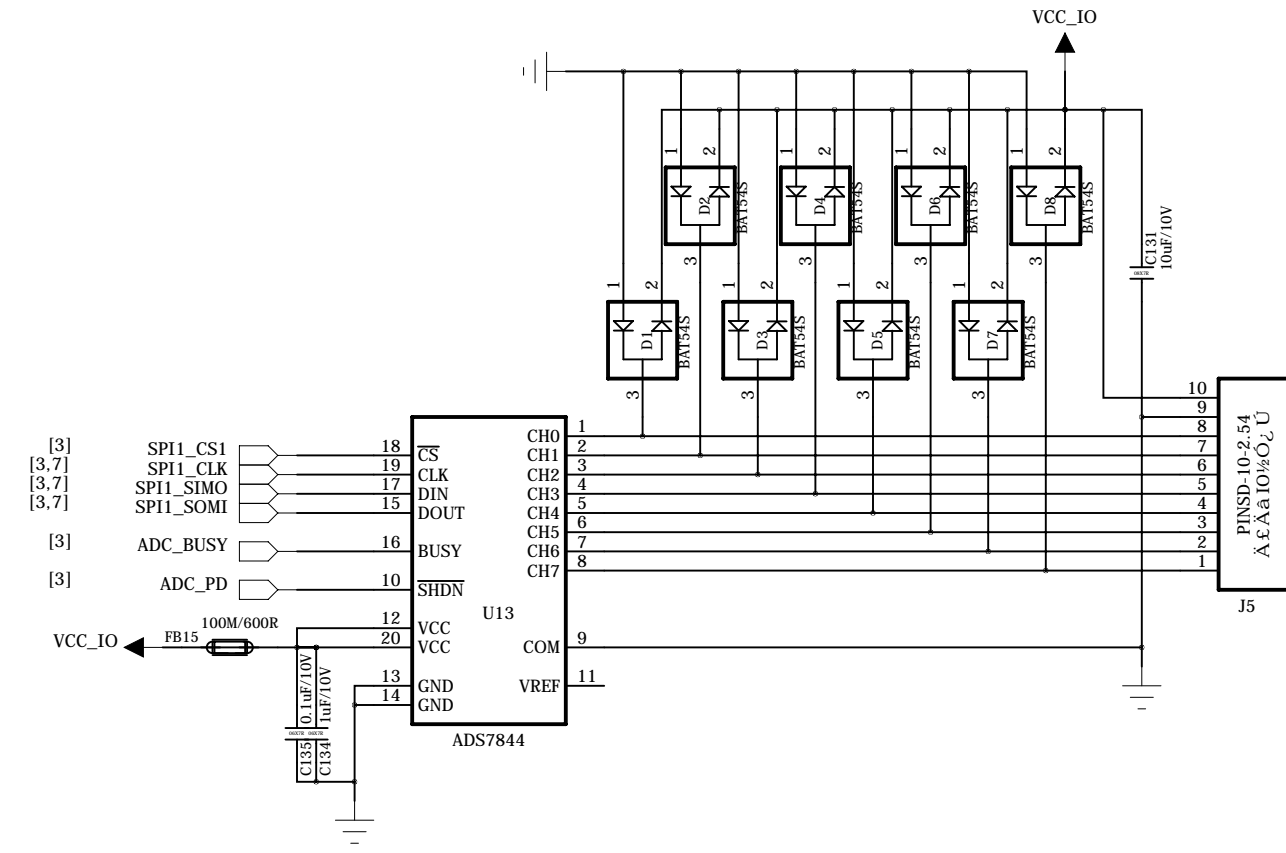
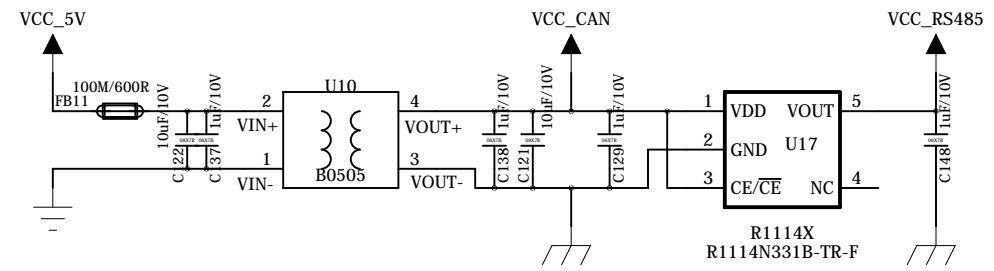
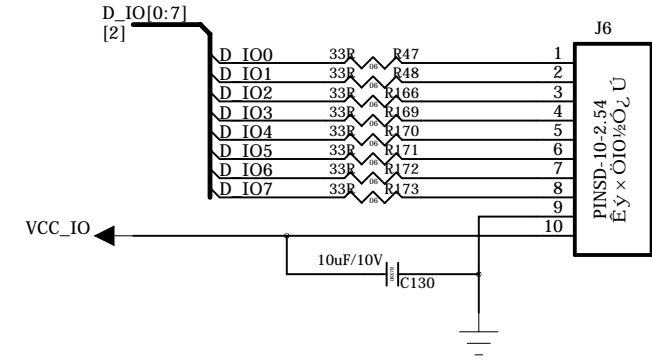
| | | | | |
|--------------|-------------------------------|-----------|------------|------------|
| COMPANY: | Embest info%Tech Co. LTD | | | |
| P/N | <CODE> | | | |
| TITLE | Embest_TI_OMAP_SOC8200_100324 | | | |
| Design by: | huangzhp | Check by: | huangzhp | |
| Approved by: | zhudp | | | |
| DATED: | 2010/03/25 | DATED: | 2010/04/03 | |
| DATED: | 2010/04/03 | | DATED: | 2010/04/03 |
| SCALE: | N/A | SIZE: | B | |
| SHEET: | 1 OF 8 | | | |



| | | | | |
|--------------|-------------------------------|-----------|------------|------------|
| COMPANY: | Embest info%Tech Co. LTD | | | |
| P/N | <CODE> | | | |
| TITLE | Embest_TI_OMAP_SOC8200_100324 | | | |
| Design by: | huangzhp | Check by: | huangzhp | |
| Approved by: | zhudp | | | |
| DATED: | 2010/03/25 | DATED: | 2010/04/03 | |
| DATED: | 2010/04/03 | | DATED: | 2010/04/03 |
| SCALE: | N/A | SIZE: | B | |
| SHEET: | 1 OF 8 | | | |



| | | |
|-------------------------------------|--------------------|--------------------|
| COMPANY: Embest info%Tech Co. LTD | | |
| P/N <CODE> | | |
| TITLE Embest_TI OMAP_SOC8200_100324 | | |
| Design by: huangzhp | Check by: huangzhp | Approved by: zhudp |
| DATED: 2010/03/25 | DATED: 2010/04/03 | DATED: 2010/04/03 |
| SCALE: N/A | SIZE: B | SHEET: 1 OF 8 |



| | | |
|---------------------|-------------------------------|--------------------|
| COMPANY: | Embest info%Tech Co. LTD | |
| P/N | <CODE> | |
| TITLE | Embest_TI OMAP_SOC8200_100324 | |
| Design by: huangzhp | Check by: huangzhp | Approved by: zhudp |
| DATED: 2010/03/25 | DATED: 2010/04/03 | DATED: 2010/04/03 |
| SCALE: N/A | SIZE: B | SHEET: 1 OF 8 |